

LIM

Assembly Instructions

Congratulations on your purchase of a new LIM Lamp!

Ready to create a dedicated workspace just for you?

We know you want to get up and running as soon as possible, but before you dive right into setting up your lamp, be sure to:

1. Make sure you have all your parts.
2. Follow all the steps carefully before using your lamp.

That's it! Once you've got your lamp assembled, you'll be ready to get down to business with a well-lit personal workspace that's dedicated to helping you stay productive.

Undershelf Lamp

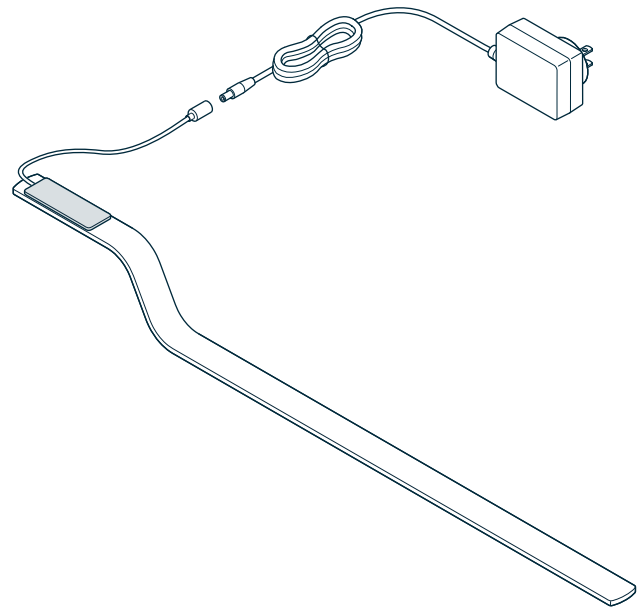


Table Lamp

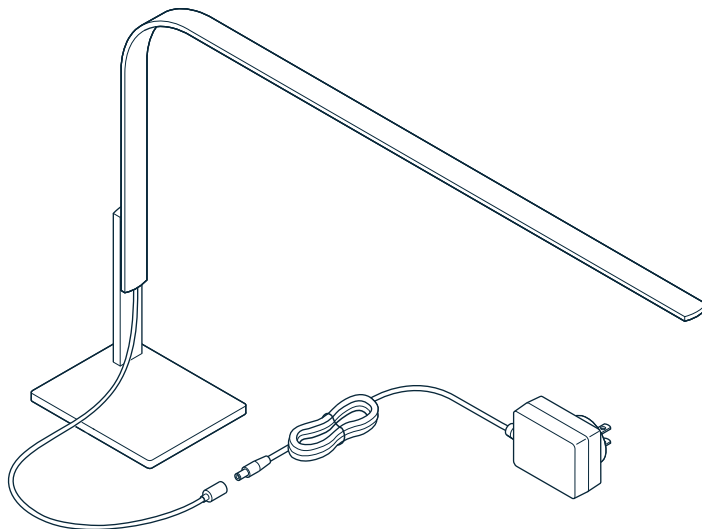
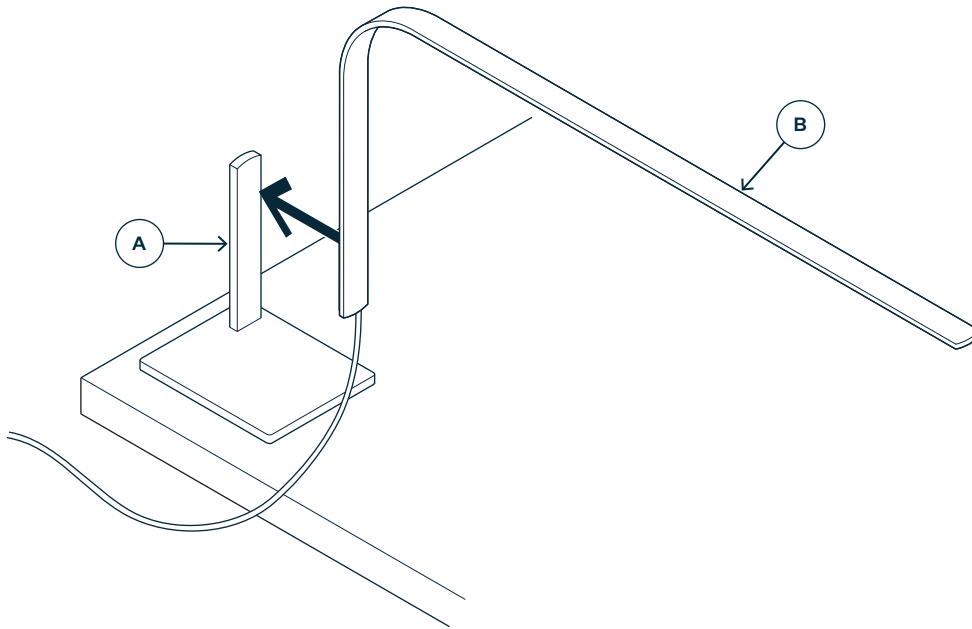
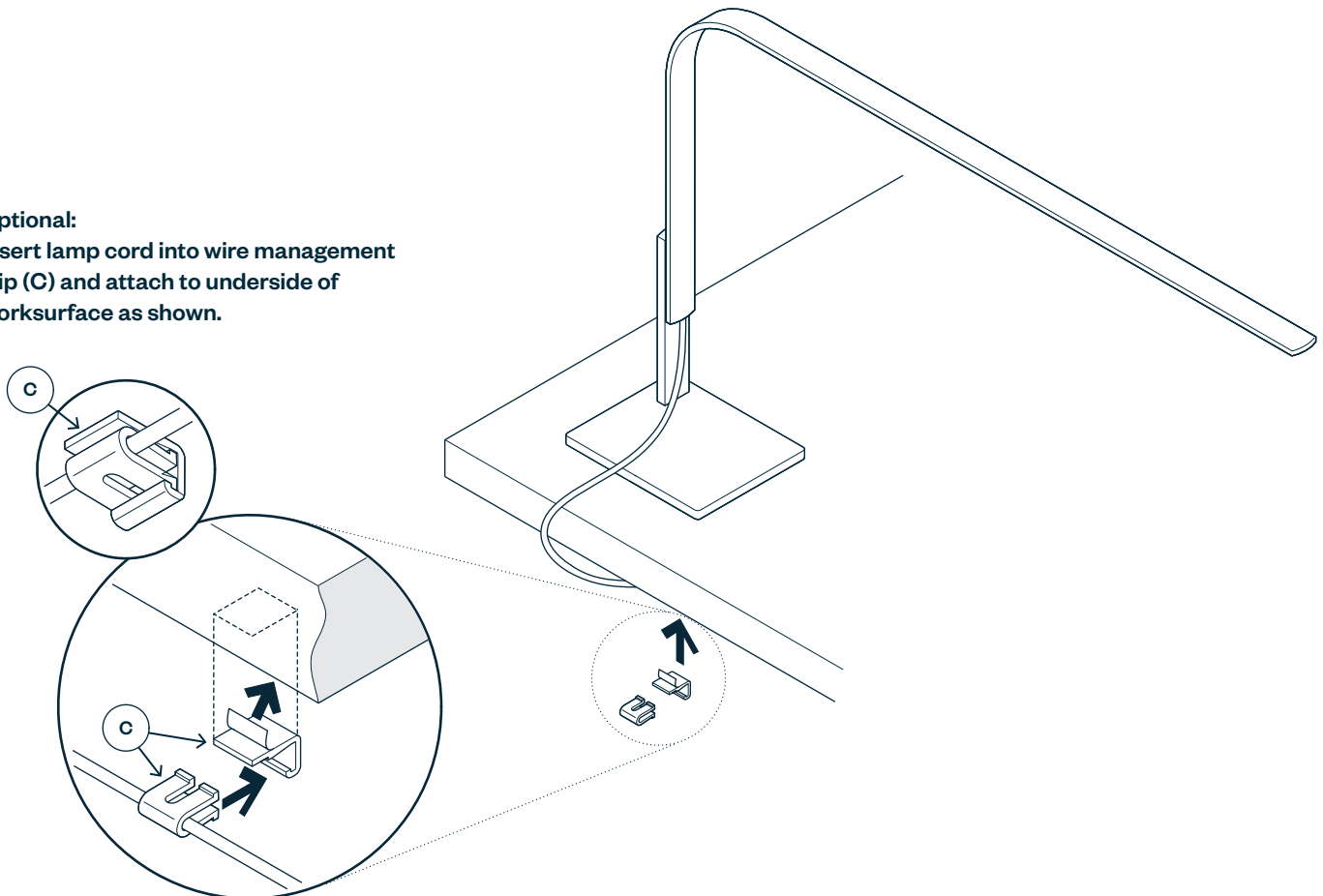


TABLE LAMP

Attach lamp arm (B) by aligning integrated magnet with lamp base (A)

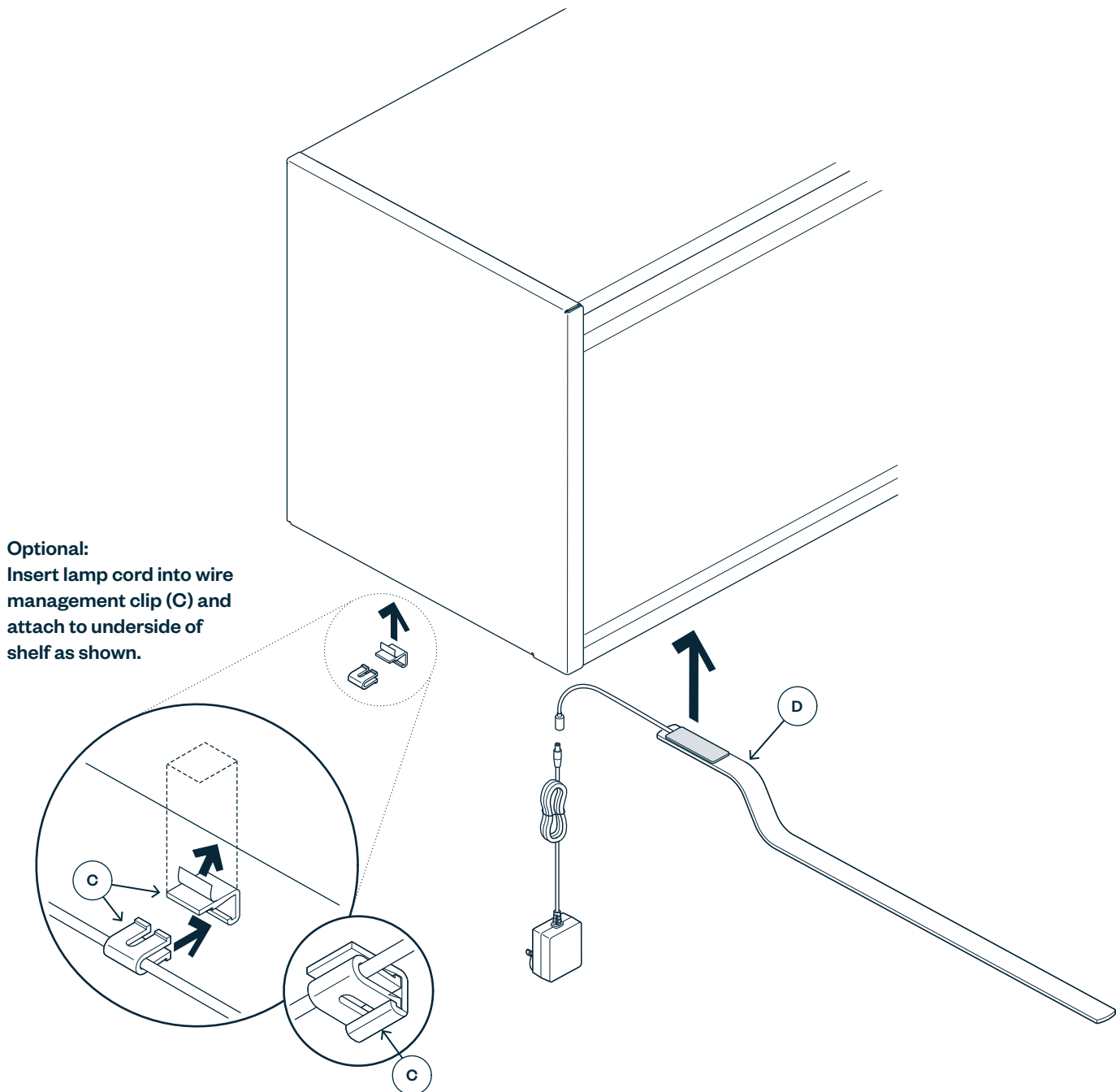


Optional:
Insert lamp cord into wire management clip (C) and attach to underside of worksurface as shown.



UNDERSHELF LAMP

Install undershelf lamp (D) by attaching integrated magnet to metal on underside of shelf



Optional:
Insert lamp cord into wire management clip (C) and attach to underside of shelf as shown.