

Pablo®

LANA

ASSEMBLY & INSTALLATION INSTRUCTIONS

INFO@PABLODESIGNS.COM
888 MARIN STREET
SAN FRANCISCO, CA
94124

PABLODESIGNS.COM



Pablo®

LANA

LANA MODELS



WALL SM



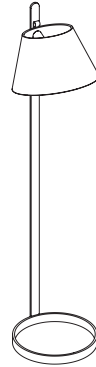
WALL LG



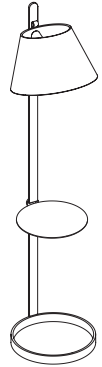
TABLE SM



TABLE LG



FLOOR

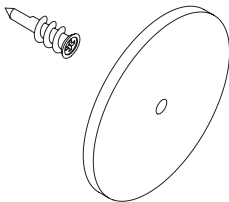


FLOOR W/ PEDESTAL

NOTE: WALL PLATE INCLUDED WITH EVERY MODEL

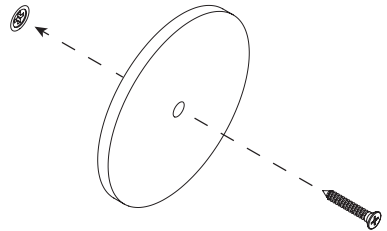
WALL PLATE INSTALLATION

- 1 IF FIXTURE IS BEING INSTALLED ONTO DRYWALL, USE PROVIDED WALL ANCHOR. TAP THE UNTHREADED TIP OF THE WALL ANCHOR INTO THE WALL, THEN USE A PHILLIPS SCREWDRIVER TO COMPLETE INSTALLATION



NOTE: IF MOUNTING ONTO WOODEN STUD, DO NOT USE WALL ANCHOR

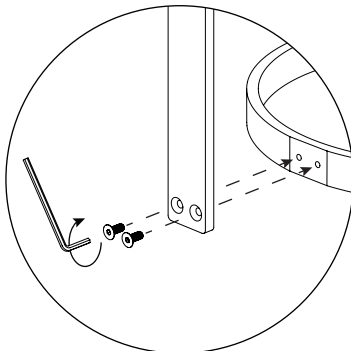
- 2 FIX WALL PLATE TO THE WALL USING THE PROVIDED SCREW, ENSURE EDGE OF PLATE IS FLUSH WITH WALL



NOTE: WALL PLATE IS INCLUDED WITH EVERY MODEL

TABLE BASE ASSEMBLY

USE PROVIDED 3MM HEX TOOL AND 2 MACHINE SCREWS TO FIX POST TO BASE

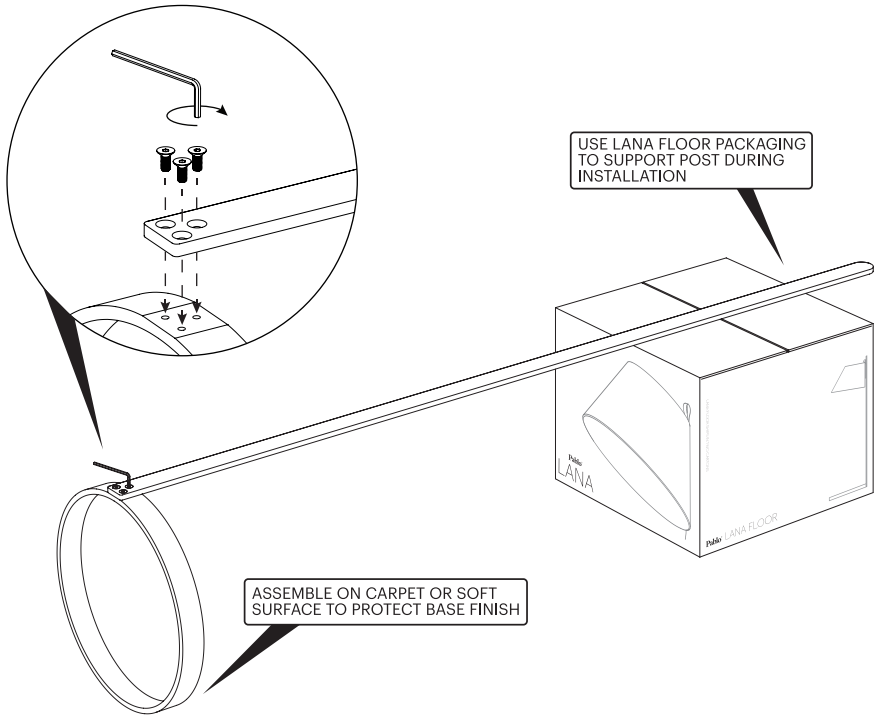


ENSURE THAT RUBBER FEET ARE UNDERNEATH BASE



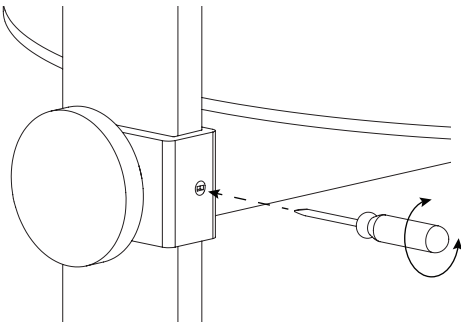
FLOOR BASE ASSEMBLY

USE PROVIDED 3MM HEX TOOL AND 3 MACHINE SCREWS TO FIX POST TO BASE

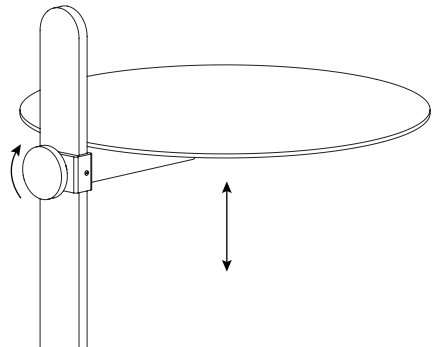


PEDESTAL INSTALLATION (OPTIONAL ACCESSORY)

- 1 USE THE PROVIDED SCREWDRIVER TO UNSCREW CLEAR PLASTIC SET SCREW. SLIDE PEDESTAL OVER FLOOR POST AND TIGHTEN SET SCREW UNTIL IT CONTACTS POST. PEDESTAL SHOULD SLIDE UP AND DOWN EASILY



- 2 SLIDE PEDESTAL TO DESIRED HEIGHT, THEN TIGHTEN KNOB TO FIX IN PLACE

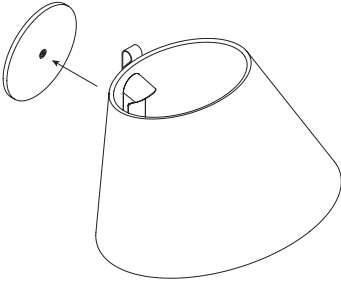


Pablo®

LANA

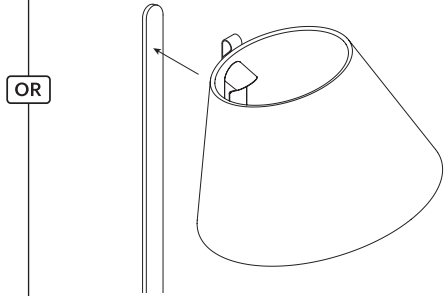
SHADE INSTALLATION

MAGNETIZE SHADE TO WALL PLATE

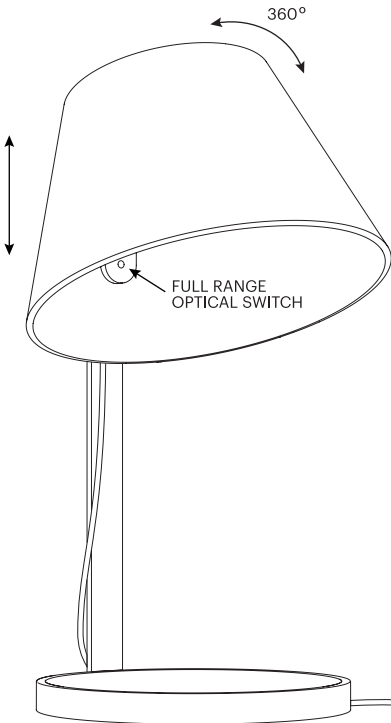


SHADE INSTALLATION

MAGNETIZE SHADE TO TABLE OR FLOOR POST



ADJUSTMENT



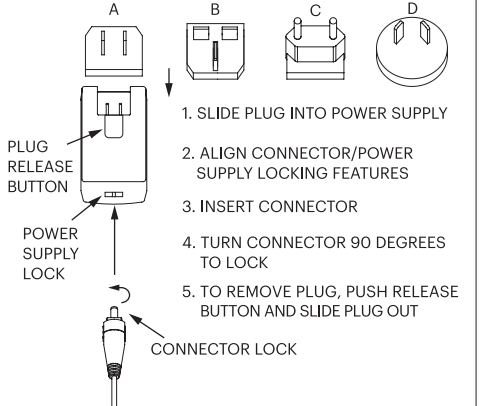
SWITCH FUNCTION

TAP OPTICAL SWITCH BRIEFLY TO CYCLE THROUGH HIGH, LOW AND OFF. PRESS AND HOLD OPTICAL SWITCH TO ACTIVATE FULL RANGE DIM CONTROL. RELEASE FINGER FROM OPTICAL SWITCH WHEN DESIRED LIGHT LEVEL IS REACHED

CARE INSTRUCTIONS

WIPE CLEAN WITH A SOFT DAMP CLOTH. AVOID AMMONIA-BASED CLEANERS

PLUG TYPES:



A. N AMERICA B. UK C. EU D. AU

NOTE: CONTACT MANUFACTURER FOR ADDITIONAL PLUG TYPE REQUIREMENTS.