

Sprig

Assembly Instructions

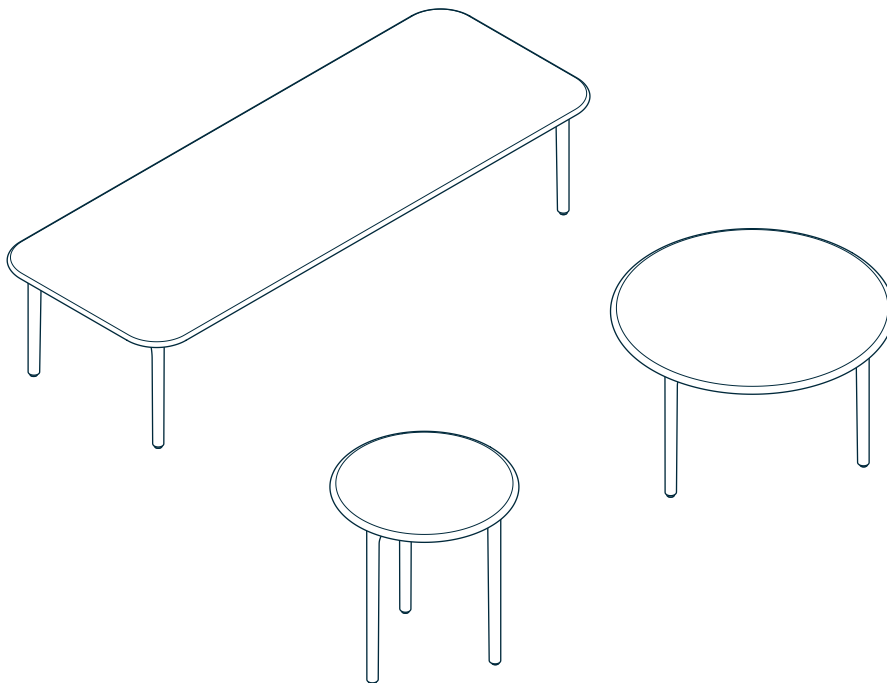
Congratulations on your purchase of a new Sprig Table!

Ready to create a dedicated workspace just for you?

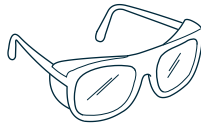
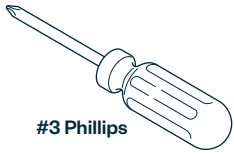
We know you want to get up and running as soon as possible, but before you dive right into setting up your table, be sure to:

1. Make sure you have all your parts and hardware, and gather the necessary tools and safety equipment.
2. Follow all the steps carefully before using your table.

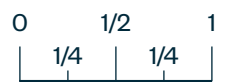
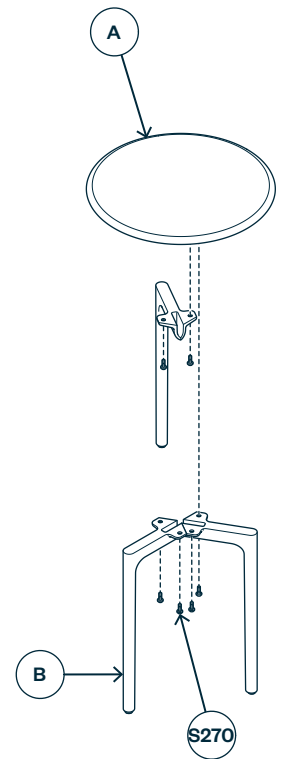
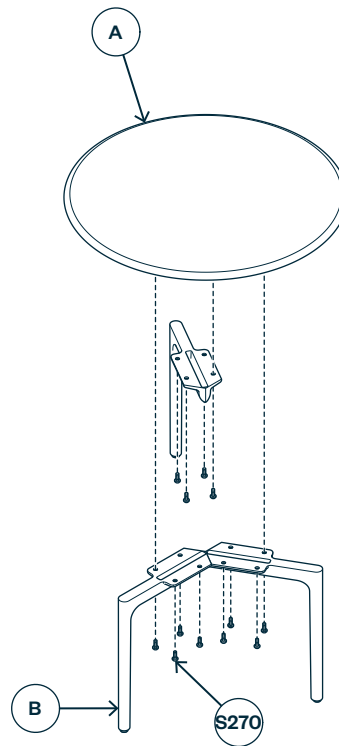
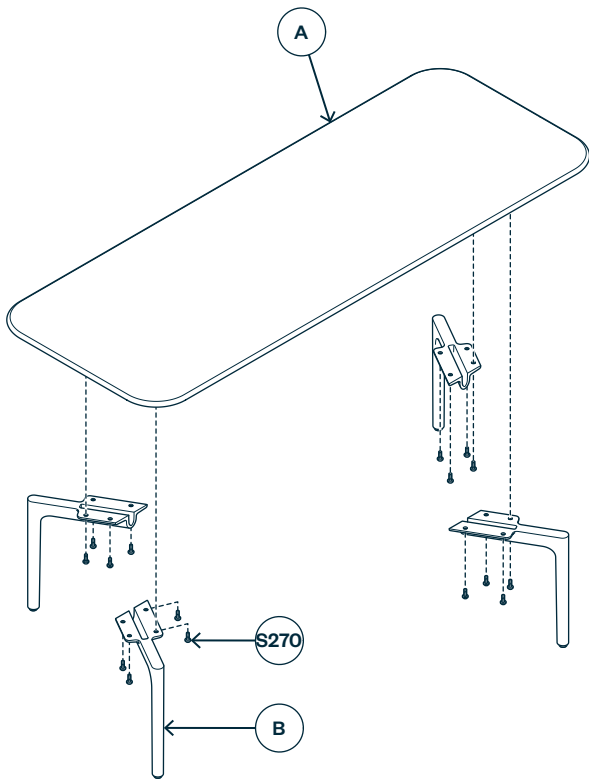
That's it! Once you've got your table assembled, you'll be ready to get down to business with a portable personal worksurface that's dedicated to helping you stay productive.



Tools Required

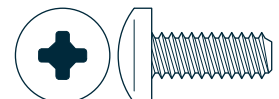


Assembly Overview

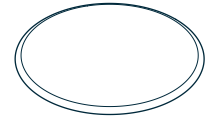
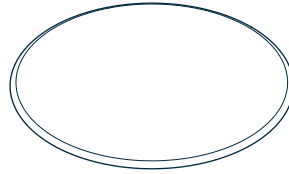
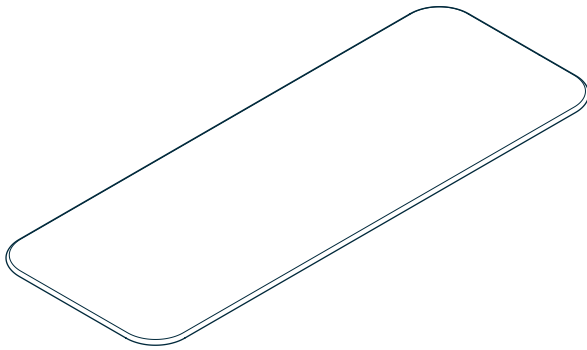


Scale 1:1

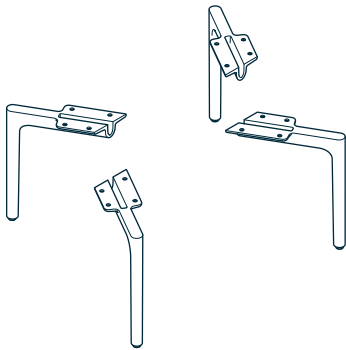
(S270) 1/4-20 x 5/8" Pan Head Screw



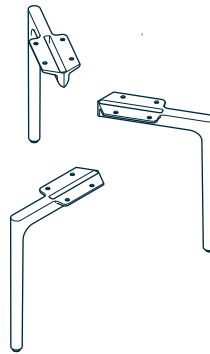
(A) Table Top



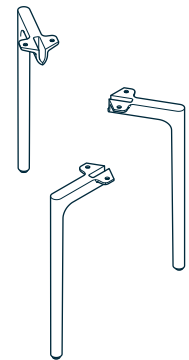
(B) Legs - Qty. 4



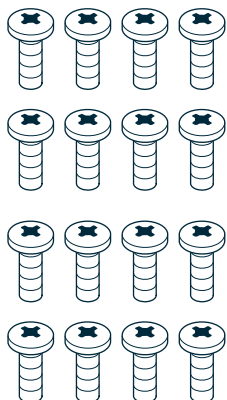
- Qty. 3



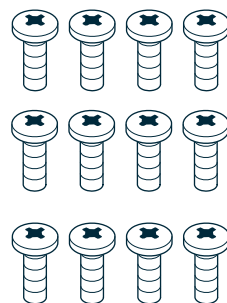
- Qty. 3



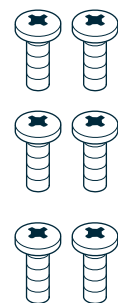
(S270) 1/4-20 x 5/8" Pan Head Screws - Qty. 16



- Qty. 12



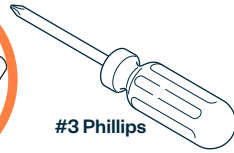
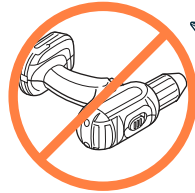
- Qty. 6



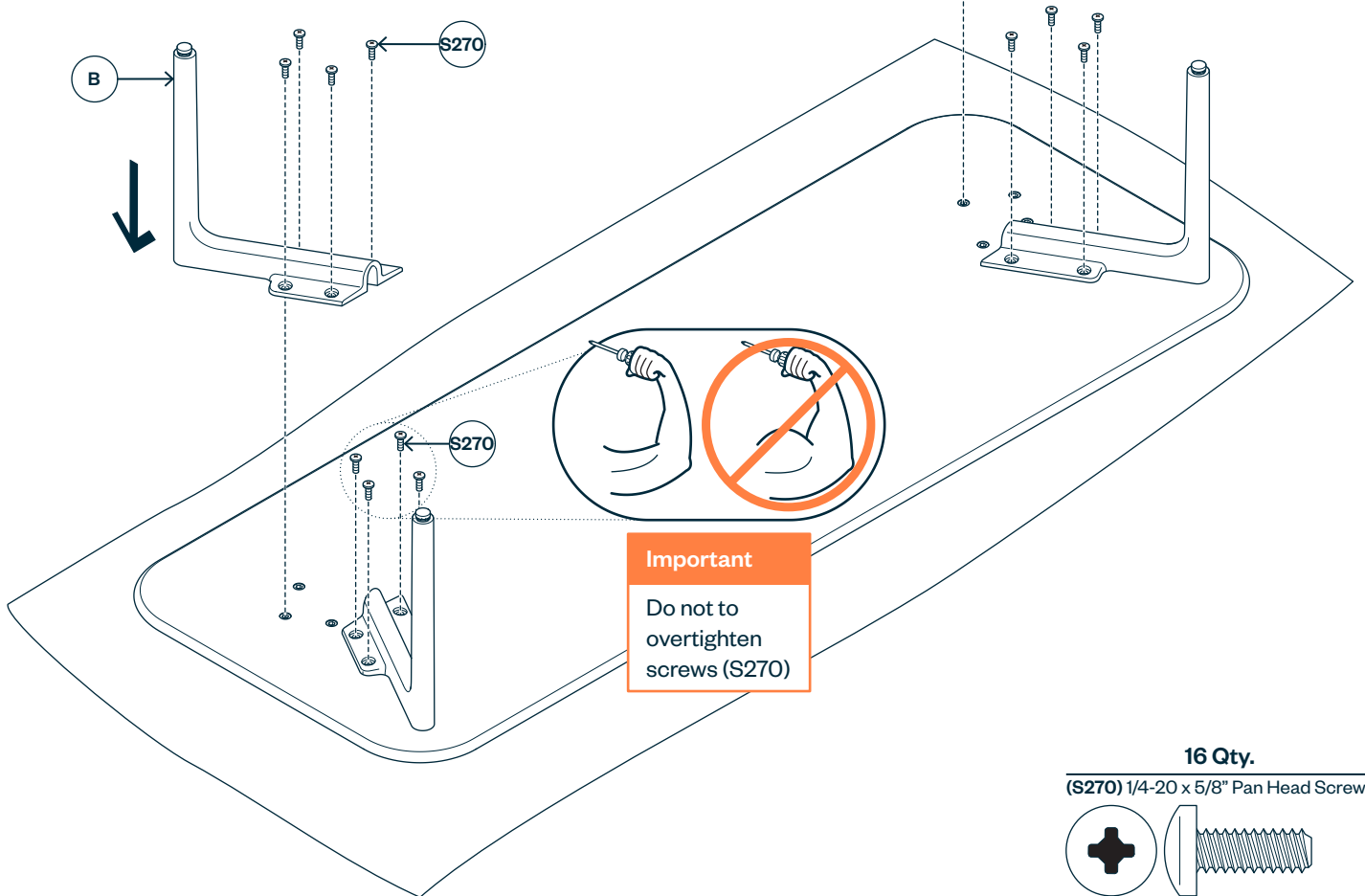
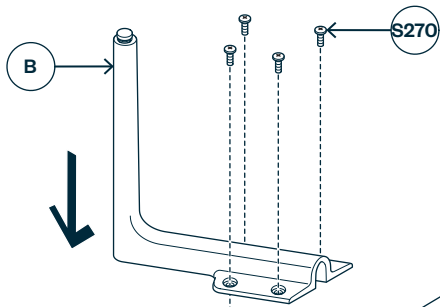
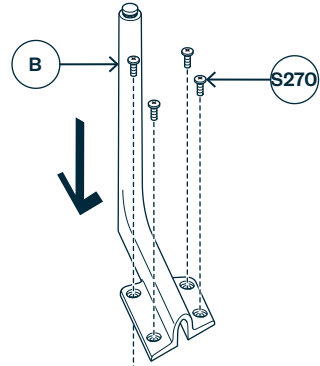
1 Assemble legs (B) to table top (A)

NOTE: Use a blanket or towel on hard surfaces to protect the table top finish from scratches.

NOTE: Tighten screws (S270) by hand only.

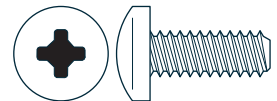


#3 Phillips

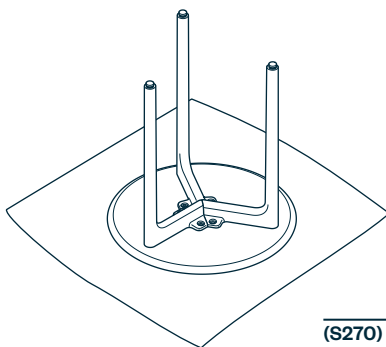


16 Qty.

(S270) 1/4-20 x 5/8" Pan Head Screw

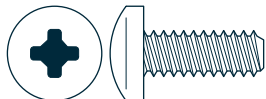


OR

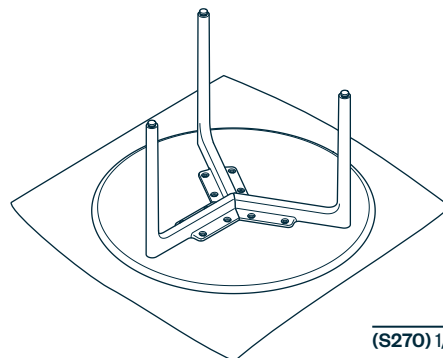


6 Qty.

(S270) 1/4-20 x 5/8" Pan Head Screw

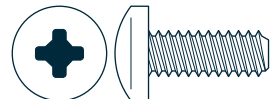


OR



12 Qty.

(S270) 1/4-20 x 5/8" Pan Head Screw



2

Flip table onto its feet

