

# Soft Caster Kit for Office Chairs

## Assembly Instructions

**Congratulations on your purchase of a new Soft Caster Kit!**

Ready to make your chair just right for you?

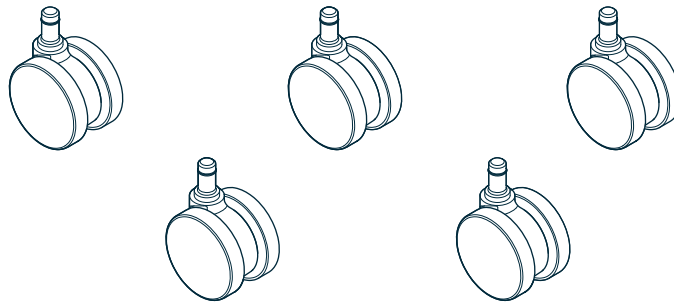
These soft casters will keep your chair from rolling too freely on hard surfaces, like wood and tile.

1. Be sure you have all five chair casters, and that they are the correct ones for your chair model.
2. Follow the steps below to replace the casters on your chair.

That's it! Now you're ready to get down to business with a chair that's personalized for your workspace and dedicated to help you stay productive.



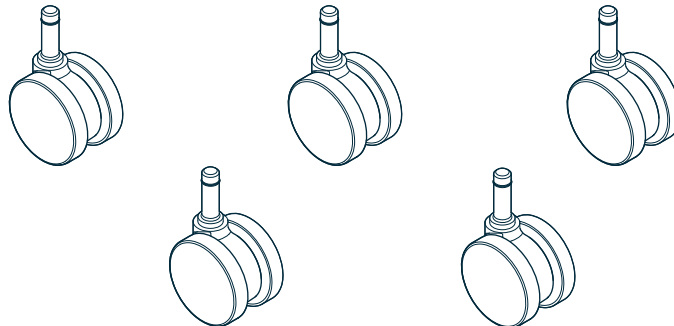
Fern



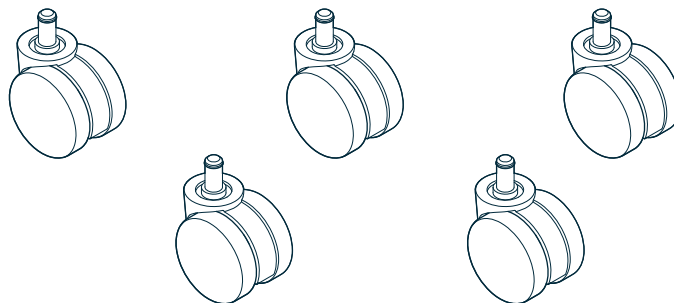
Soji



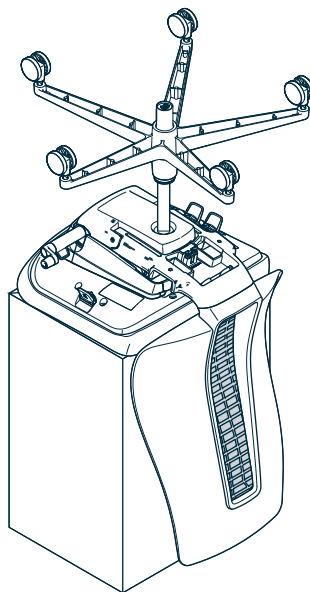
Very



Zody



**1** Flip chair upside down



**2** Remove existing casters (A) and insert new casters (B) as shown

