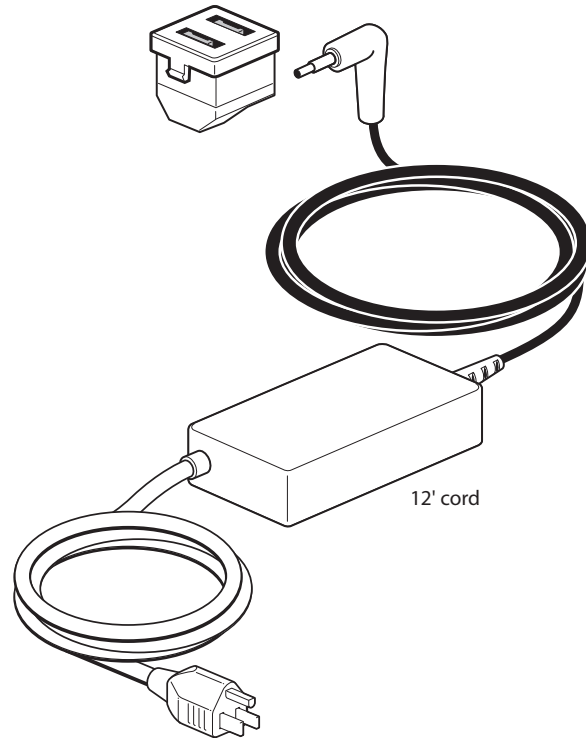
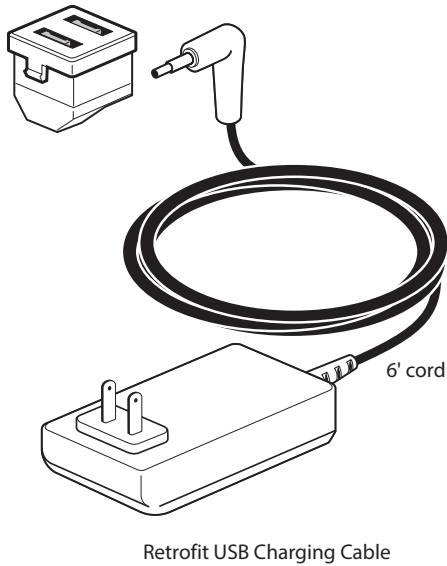


Retrofit USB Charging Cable

Enhanced Power Module
Flip Top Power Module
Flush Mount Power Module
Workware® Interface Module



Overview

- Provides 2 USB charger outlets
- Can be used to add USB charging to Enhanced Power Module, Flip Top, Flush Mount data port location
- Available with 6 or 12 foot cord

Retrofit USB Charging Cable

General Specifications

- Two outlet USB charger with two USB 2.0 style A outlets with 2.0 Amp (shared) charging capacity
- Available with transformer plug at end of 6 foot cord

Listings

- UL listed transformer plug
- UL listed to UL 1310 and CSA C22.2 #223

Applicable Codes

- USB retro kit is low voltage class 2 device which must be installed in accordance with the national Electrical Code (NEC), the Canadian Electrical Code (CEC) and local electrical codes

Complementary Products

- Haworth Enhanced power Module, Flip Top power module, flush mount power module Workware® interface

Typical Configuration

- Mounted in data port location of power module

