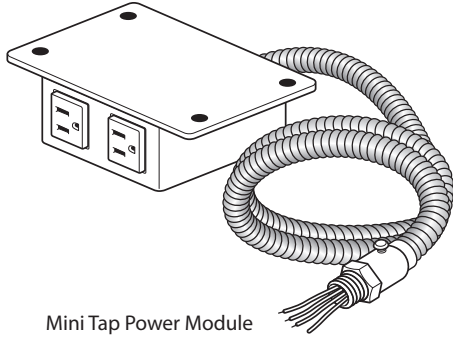
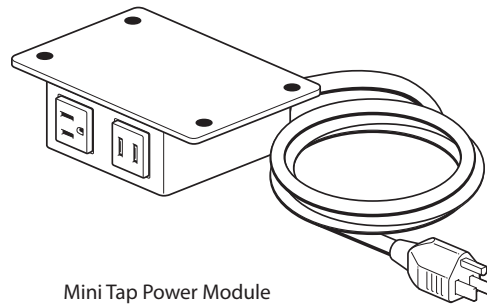


Mini Tap Power Module



Mini Tap Power Module
(2) Power



Mini Tap Power Module
(1) Power
(1) USB Charger

Overview

- Provides two 15A power outlets or one Power and one USB charger
- Available with corded or hardwired connection

Mini Tap Power Module

General Specifications

- Two port steel box available with two power or 1 power/1 USB configuration
- 15 Amp receptacle (NEMA 5-15R) configuration
- Two outlet USB charger with two USB 2.0 style A outlets with 2.0 Amp (shared) charging capacity
- 6 foot cord with 15 Amp plug (NEMA 5 15)
- 6 foot flexible steel conduit infeed with fitting for use with ½" knockout

Listings

- UL listed 15A 120V 60 Hz
- Corded - UL listed per UL 962 A and CSA standard C22.2 #08
- Conduit - UL listed to UL Subject 111 and CSA C22.2 #42, #62, & #62.1

Applicable Codes

- The power module must be installed in accordance with the National Electrical Code (NEC), the Canadian Electrical Code (CEC) and local electrical codes

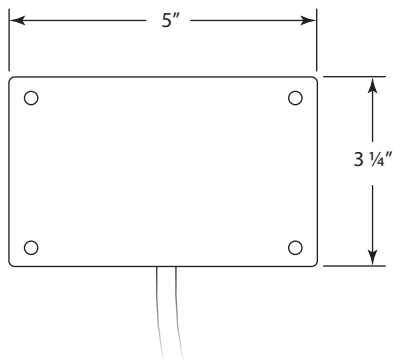
Complementary Products

- Haworth TBD storage divider

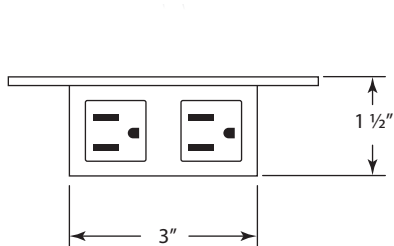
Typical Configuration

- Mounted in TBD storage divider

Top



Front



Side

