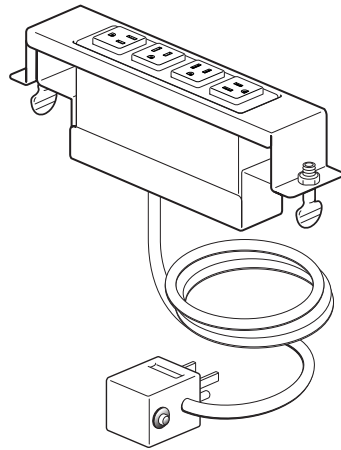
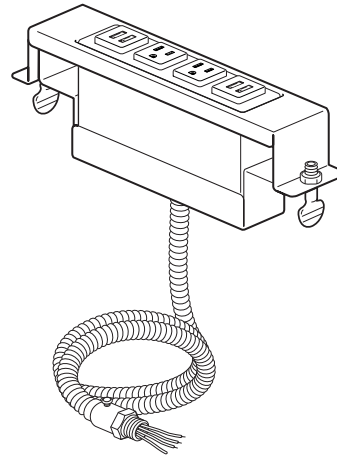


Immerse Table Power Module

4-Port
(2) Power
(1) USB
(1) Data



Circuit Breaker Plug



Hardwired

Overview

- Provides Power, USB charging 4 port modules.
- Mounts to round or oblong tray on Immerse table top.
- Available with 6-foot, 12-foot, or 21-foot cord or 6-foot of 12-foot flexible metal conduit.

Immerse Table Power Module

General Specifications

- Power Module body can be configured with several combinations of power, USB charger ports. See pricebook for specific combinations available.
- Power port includes one 15 Amp 120V 60Hertz rated receptacle NEMA 5-15R configuration
- USB charger port includes two USB 2.0 style A outlets with 2.0 Amp (shared) charging capacity
- Power Modules mount to round or Oblong Immerse tray.
- Available with black 6-foot, 12-foot or 21-foot SJT power cord with 15A plug (NEMA 5-15P)
- Available with 6-foot or 12-foot flexible galvanized steel conduit with fitting for 1/2" knockout.
- See pricebook for receptacle color options.

Listings

- UL listed furniture power distribution unit rated for 15A 120V 60 Hz.
- UL listed per UL 962A and CSA standard C22.2 #21 and #42.

Applicable Codes

- Power Module must be installed in accordance with the national Electrical Code (NEC), the Canadian Electrical Code (CEC) and local electrical codes.

Complimentary Products

- Haworth Immerse table.

Typical Configuration

- Mounted in Immerse table top.

