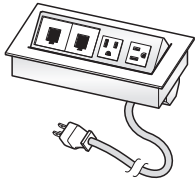
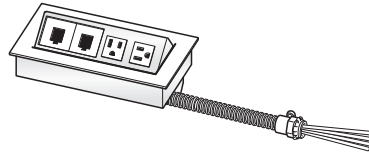


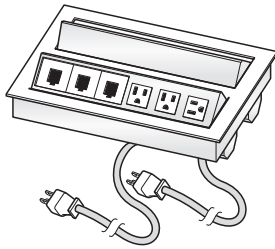
Flip Top Unit



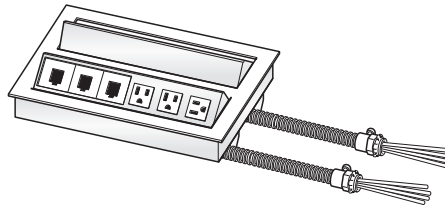
Single-Sided
Corded



Single-Sided
Hardwired



Double-Sided
Corded



Double-Sided
Hardwired

Overview

- Provides Power, USB charging, A/V or cable access in desk top housing that flips up for access or can be closed for unobstructed work space.
- Available in single and double sided configuration
- Mounts in cut out 3/4" - 2" thick work surfaces and tabletops
- Available with 6-foot or 12 foot cord or flexible metal conduit
- Available with clear anodized finish with white outlets or black anodized finish with black outlets

Flip Top Unit

General Specifications

- Flip Top Power Module body can be configured with several combinations of power, USB charger, Data, A/V or cable access ports, see price book for specific combinations available
- Power port includes one 15 Amp 120V 60Hertz rated receptacle NEMA 5-15R configuration
- USB charger port includes two USB 2.0 style A outlets with 4.0 Amp (shared) charging capacity
- Cable Bay uses two port locations and provides two $\frac{3}{16}$ " grommets for routing cables
- Available with 6 foot or 12 foot SJT power cord with 15A plug (NEMA 5-15P)
- Available with 6 or 12 foot flexible galvanized steel conduit with fitting for $\frac{1}{2}$ " knockout
- Available in black anodized aluminum frame with black ports or clear anodized aluminum frame with white ports

Listings

- UL listed relocatable power tap rated for 15A 120V 60 Hz
- Cord - UL listed per UL 962A and CSA C22.2 #308
- Conduit - UL listed per UL Subject 111 and CSA C22.2 #42, #62, & #62.1

Applicable Codes

- Flip Top Unit must be installed in accordance with the National Electrical Code (NEC), the Canadian Electrical Code (CEC), and local electrical codes

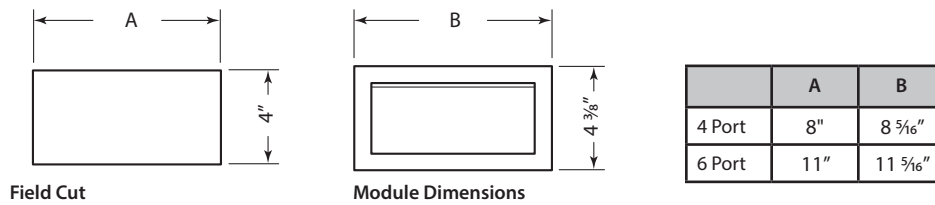
Complementary Products

- Haworth products with work surfaces and tabletops

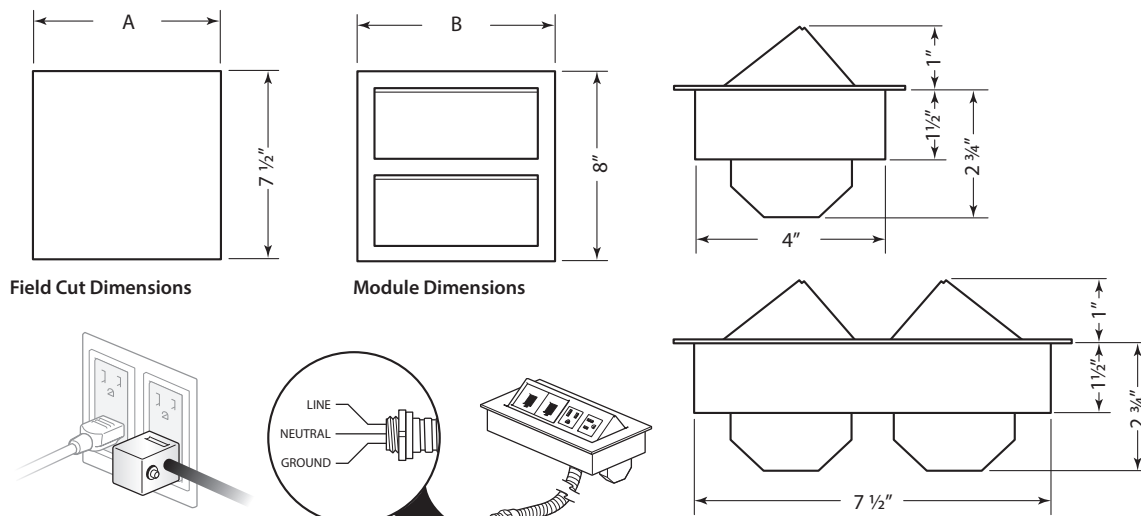
Typical Configuration

- Power access above work surface and tabletop

Single-Sided



Double-Sided



Circuit Breaker Plug

Conduit