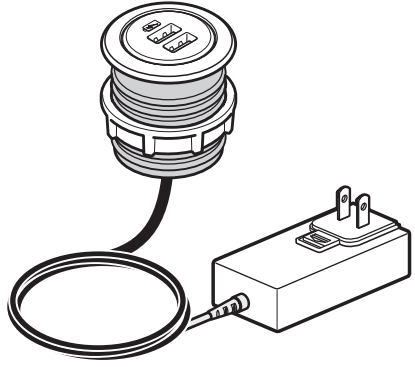
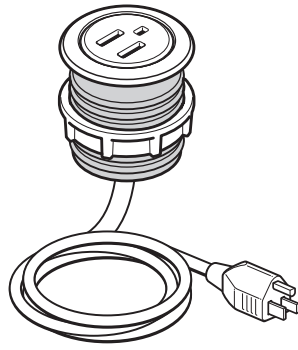


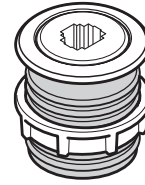
## Bezel Utility Module



USB



Power



Data

### Overview

- Provides 2 USB charger outlet, one 15A receptacle or one data port. Round or square face (round shown).
- Mounts easily through 1- $\frac{3}{4}$ " hole.
- Available with 6 foot or 12 foot cord.

# Bezel Utility Module

## General Specifications

- Two outlet USB charger with two USB 2.0 style A outlets with 2.0 Amp (shared) charging capacity.
- 15 Amp 120V 60Hertz rated receptacle NEMA 5-15R configuration
- Available with 6 foot or 12 power cord
- USB cord has transformer plug at end of 6 or 12 foot cord
- Data port provided with adapter ring for most RJ45 jacks, HDMI or VGA coupler sold separately
- Available in black or white colors
- Available with 2 inch diameter round face or 2 inch square face
- Mounts through field cut 1 3/4" diameter hole through surfaces 3/4" to 2" thick

## Listings

- USB charger outlets-UL 1310 and CSA C22.2 #203
- Power receptacles Corded-UL 962A and CSAC22.2 #308
- Power receptacles Conduit-UL Subject 111 and CSA C22.2 #42, #62 and #62.1

## Applicable Codes

- Power Module must be installed in accordance with the National Electrical Code (NEC), the Canadian Electrical Code (CEC), and local electrical codes

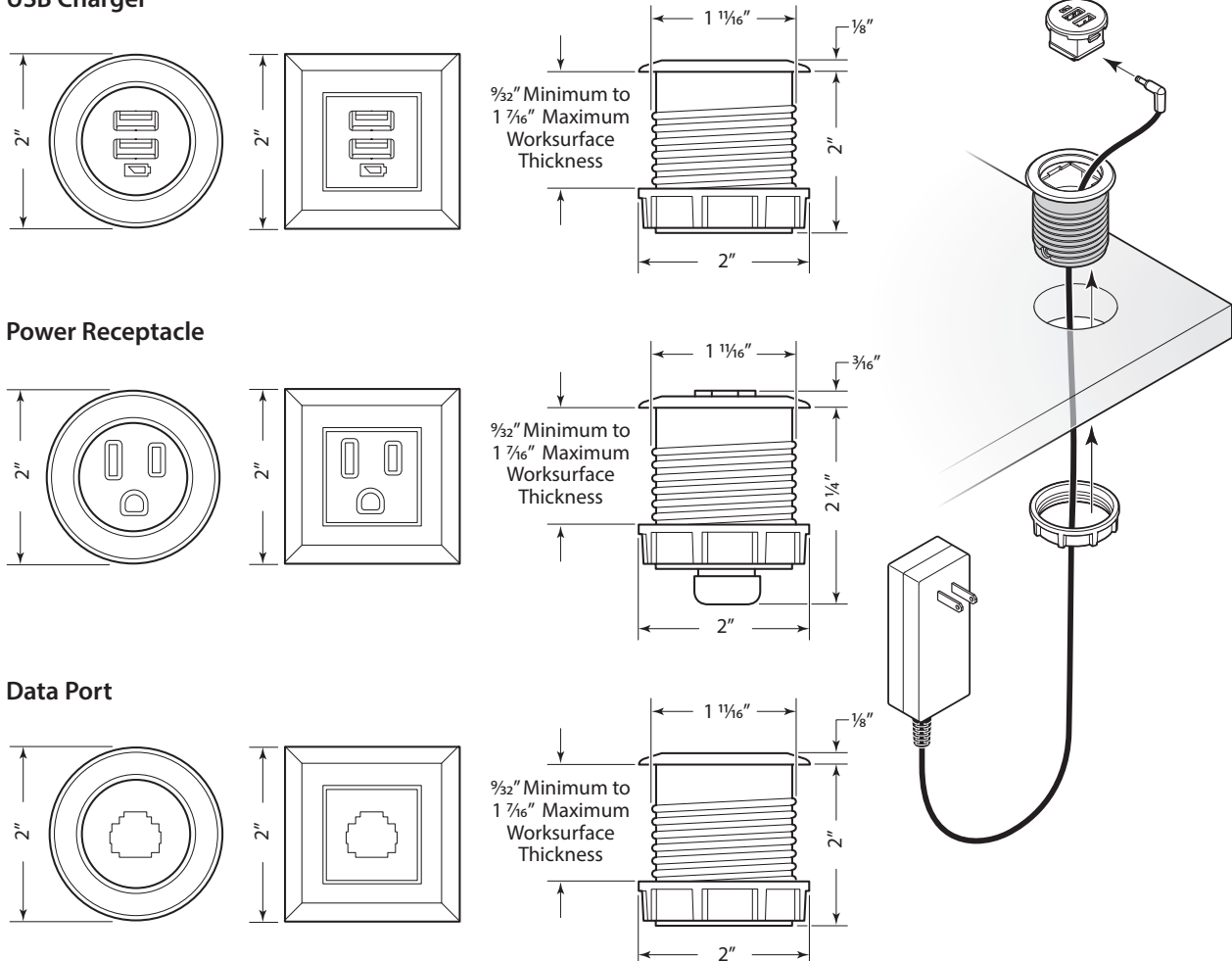
## Complementary Products

- Haworth Unigroup® Too, PLACES®, PREMISE®, Compose® panel systems, Reside®, Besie®, Intuity®, Tactics® and Enclose® furniture

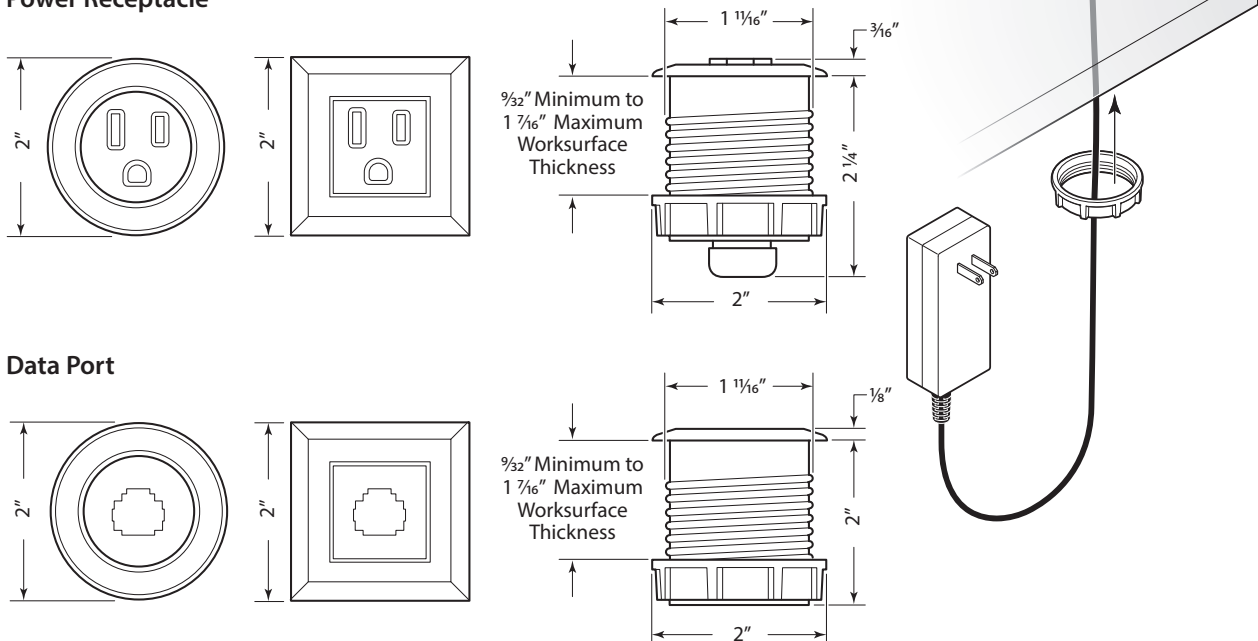
## Typical Configuration

- Mounted in worksurface or table. Mounted on side wall of side table

### USB Charger



### Power Receptacle



### Data Port

