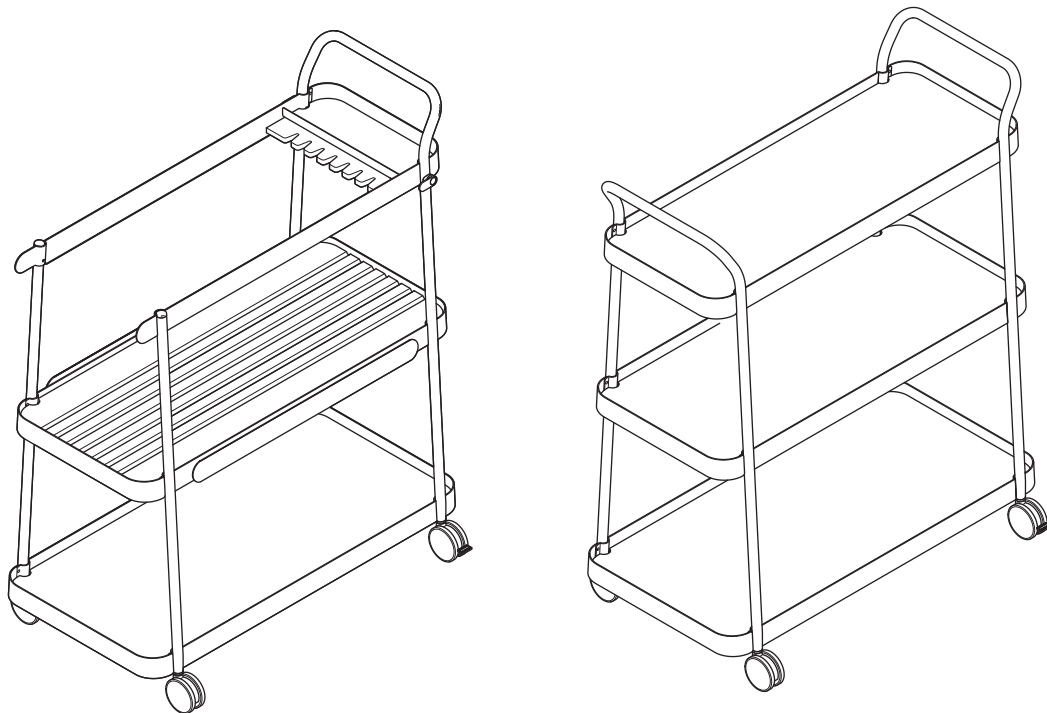


HAWORTH

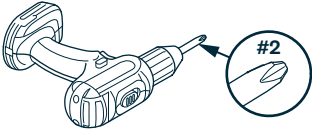
# Collaborate

Recycling & Disassembly Instructions

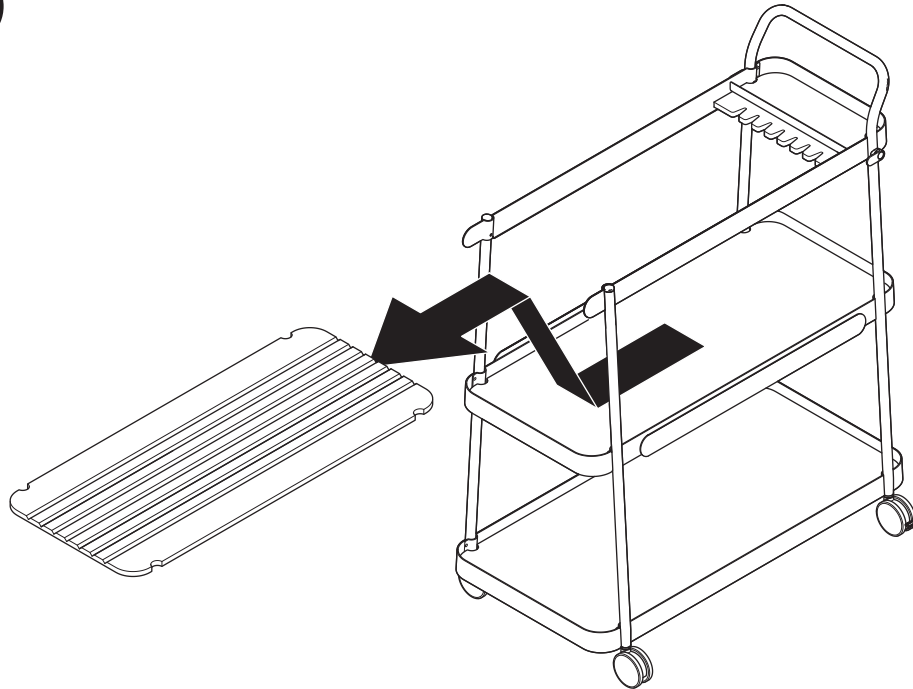
End of life Collaborate Cart!



## Tools Required

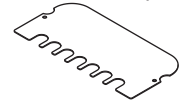
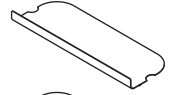


## 1 Remove markerboard organizer as shown



## RECYCLE BINS

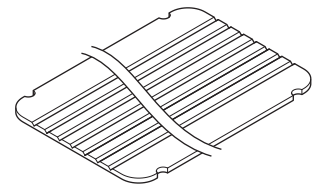
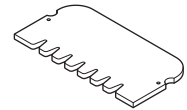
### STEEL



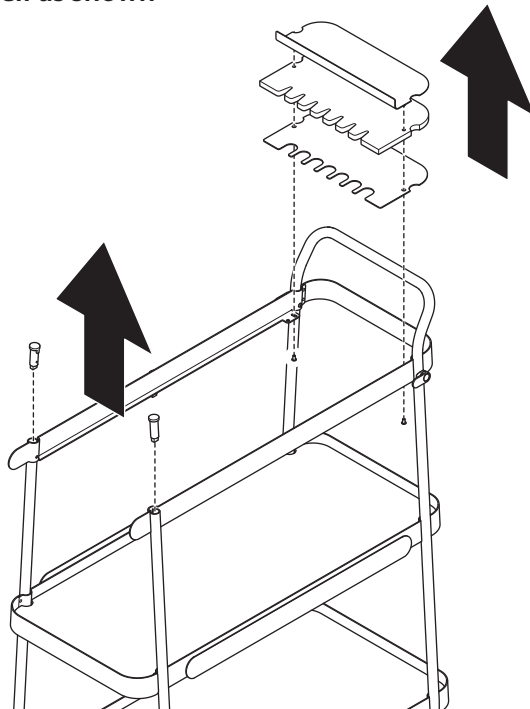
### ALUMINUM



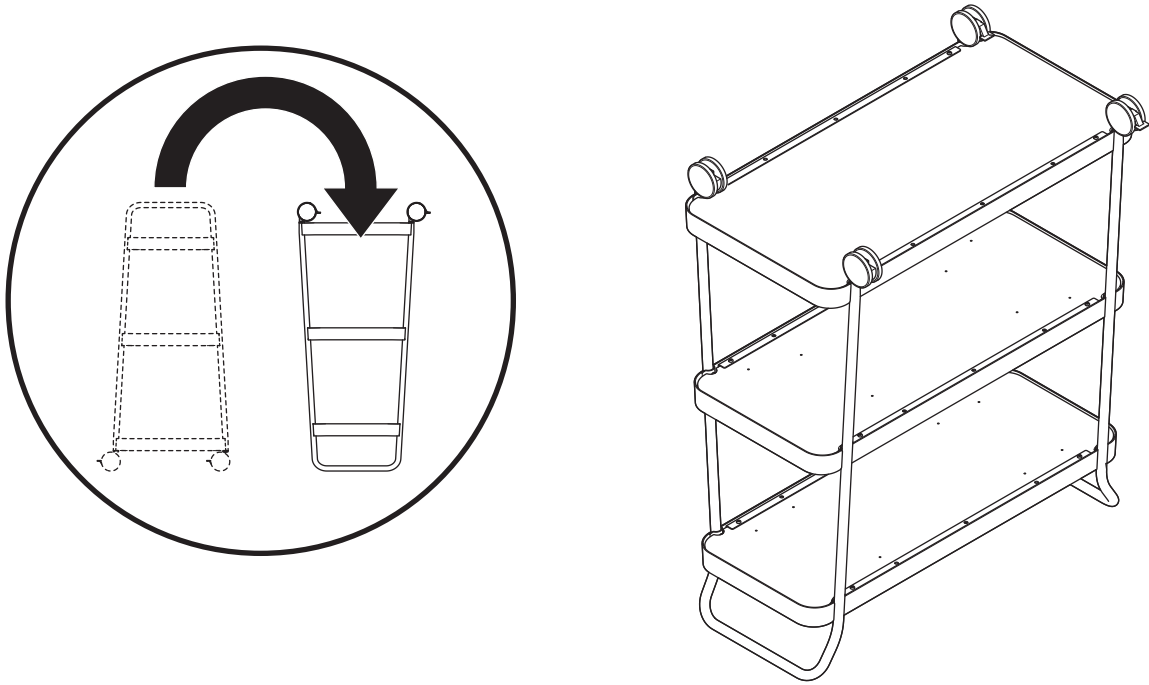
### PET



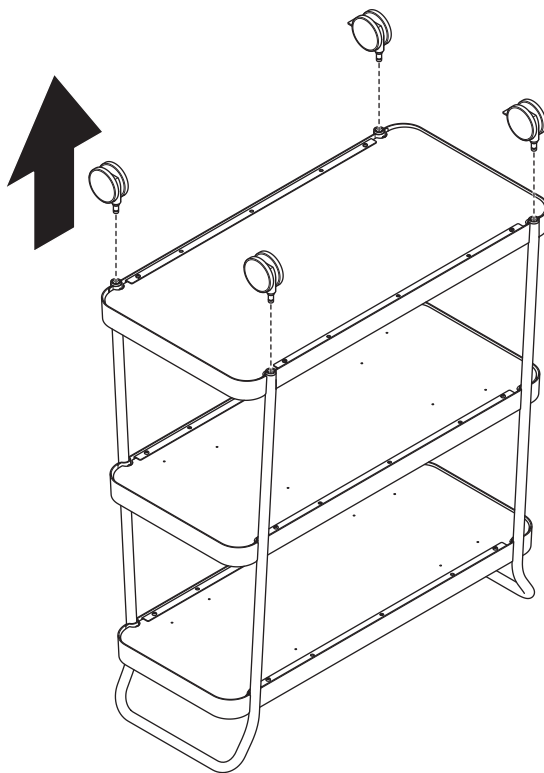
## 2 Remove trim and shelf as shown




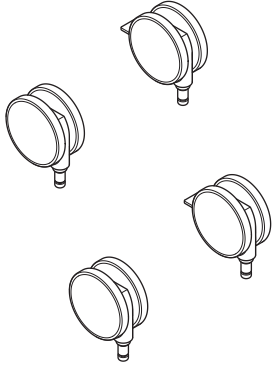
**3** Rotate Cart upside down as shown



**4** Remove casters as shown

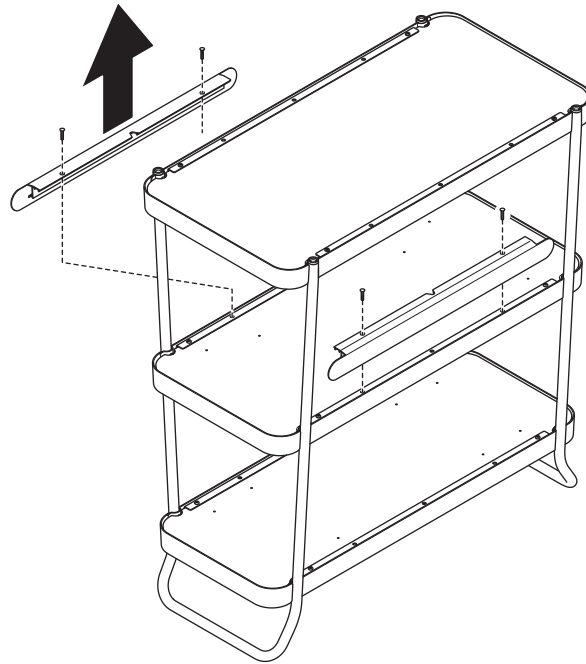



 **RECYCLE BINS**  
PLASTIC/NYLON/RUBBER



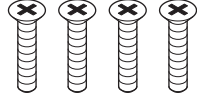
The image shows five individual casters, which are circular with a central stem and a small protrusion at the bottom. They are arranged in a scattered pattern within the recycling bin area.

**5** Remove all rails as shown

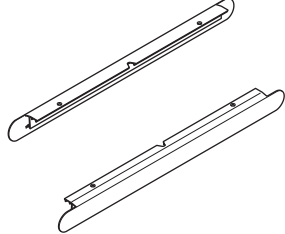


 **RECYCLE BINS**

**STEEL**

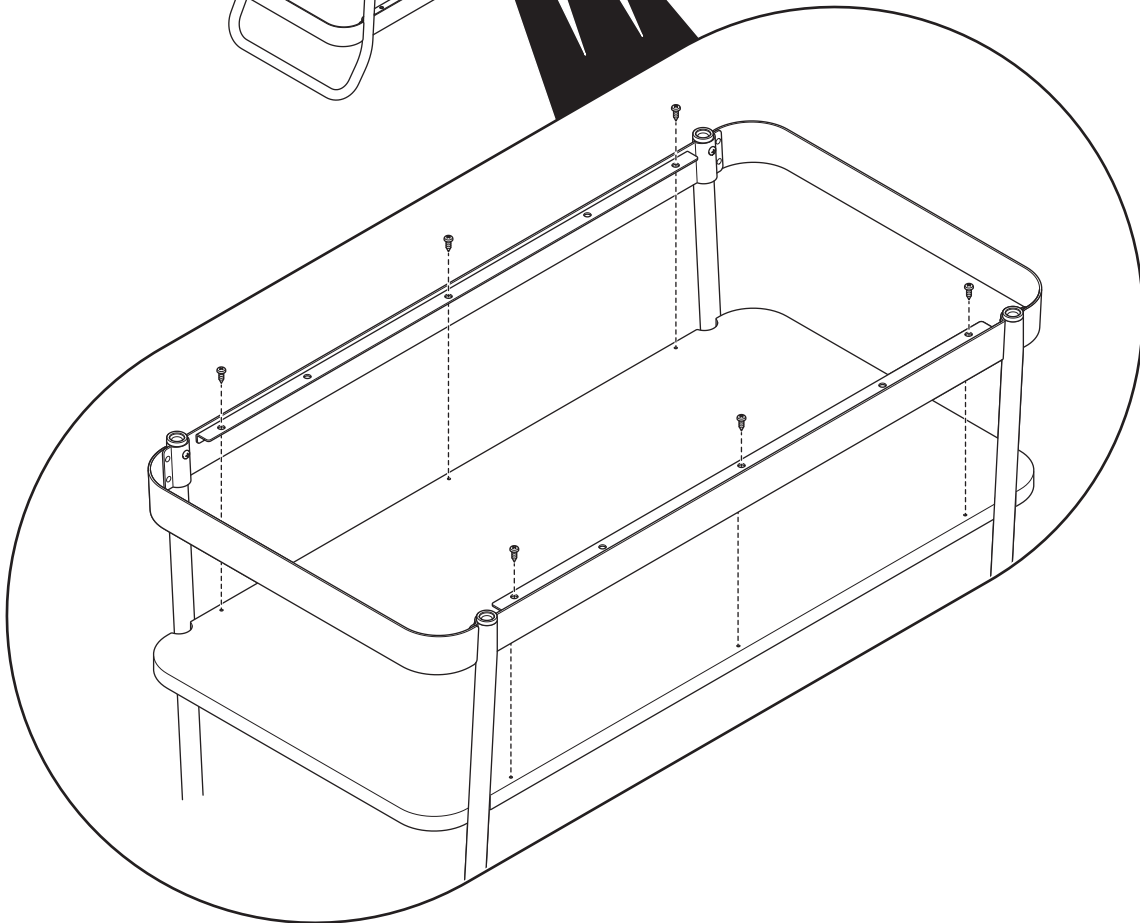
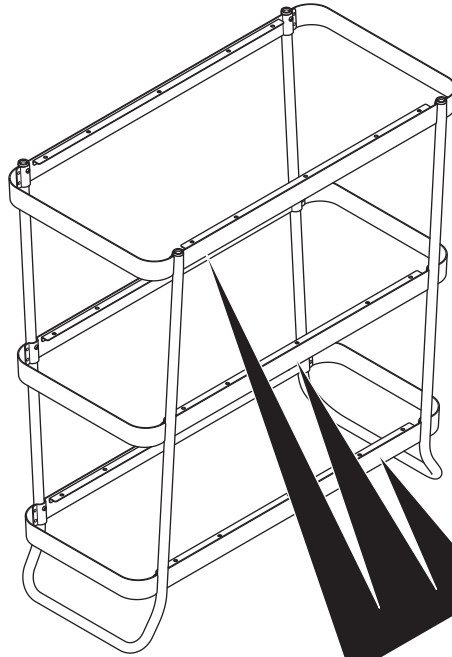



**ALUMINUM**



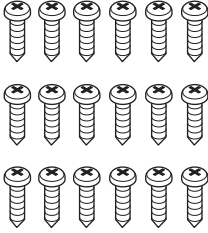
6

Remove all wood shelves as shown

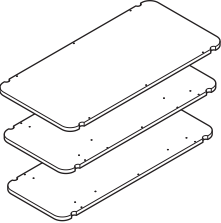


 **RECYCLE BINS**

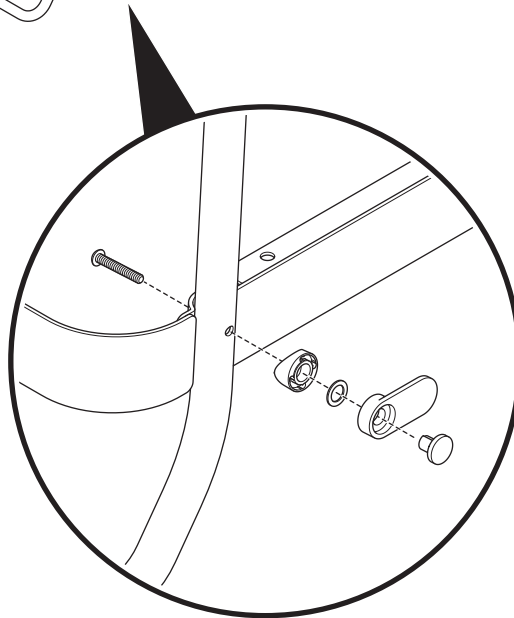
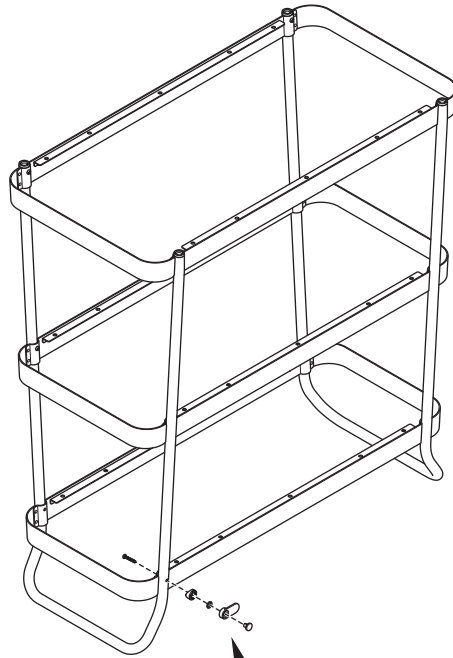
**STEEL**



**WOOD**



**7** Remove all hooks as shown



**RECYCLE BINS**

**STEEL**

**ALUMINUM**

**PLASTIC/NYLON**