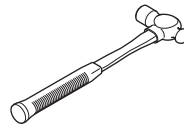
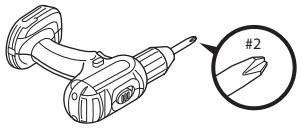


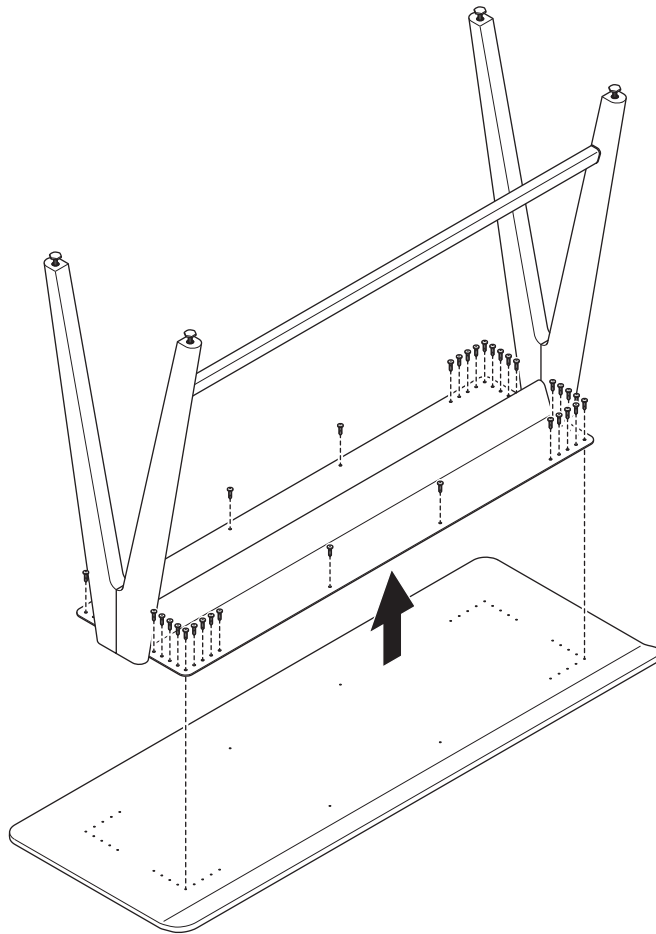


IMMERSE®
Ledge Table
 Disassembly & Recycling Instructions

Tools Required

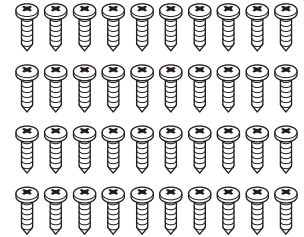


1

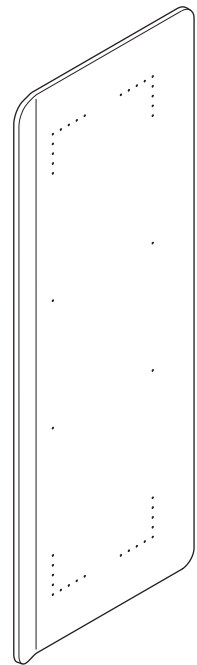


RECYCLE BINS

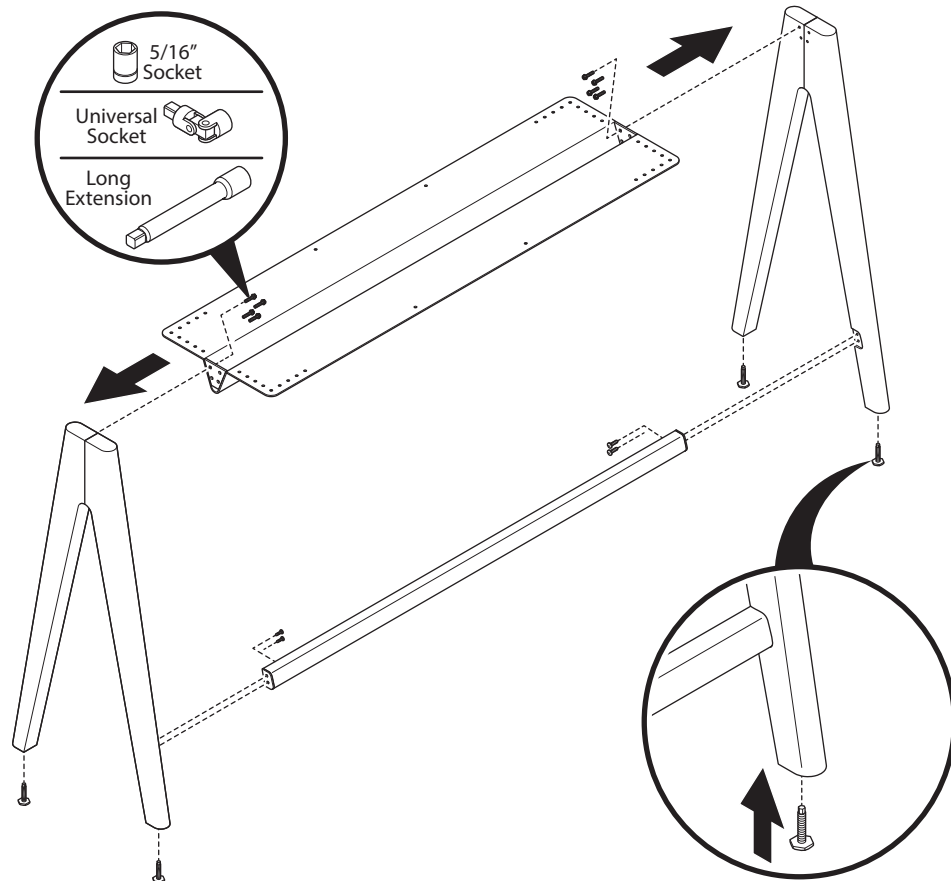
STEEL



WOOD



2



RECYCLE BINS

STEEL

10 screws
3 screws
1 long extension
1 perforated metal plate

WOOD