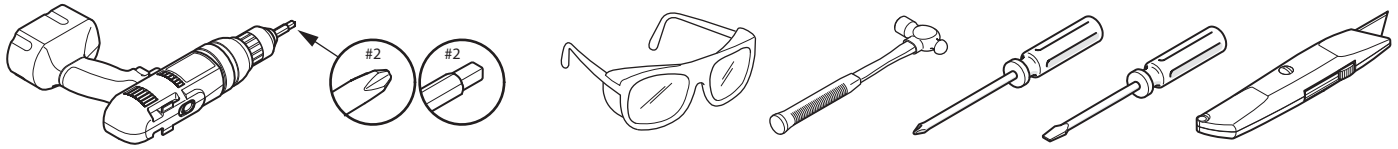




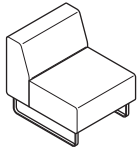
RIVERBEND & PEBBLE®
Seating
 Disassembly & Recycling Instructions

Tools Required

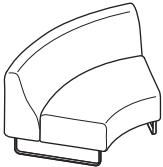


1

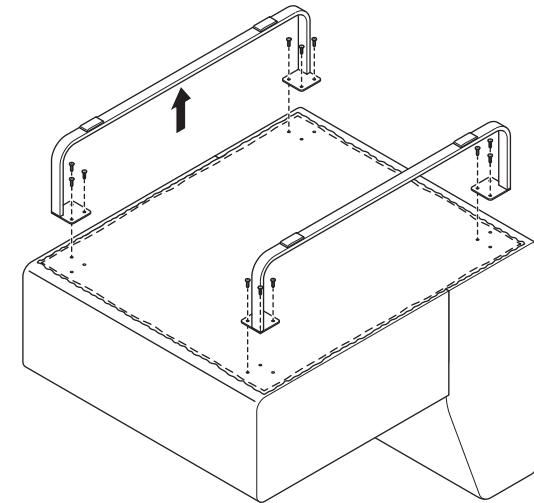
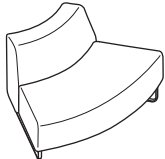
Straight - Single/Double/Triple



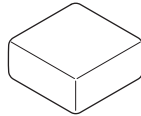
Curved - Concave



Curved - Convex

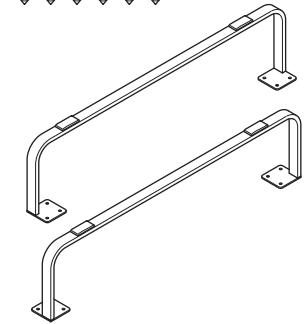
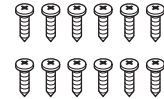


PEBBLE

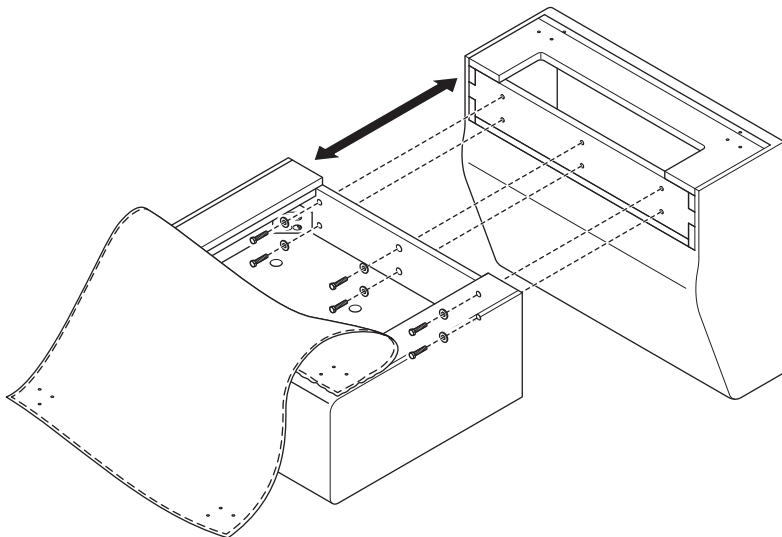


RECYCLE BINS

STEEL

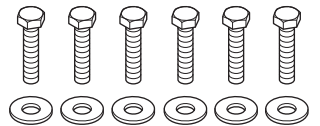


2

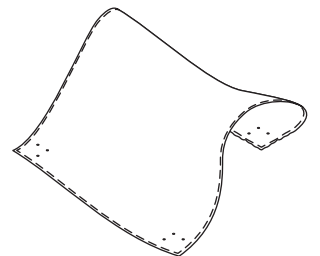


RECYCLE BINS

STEEL



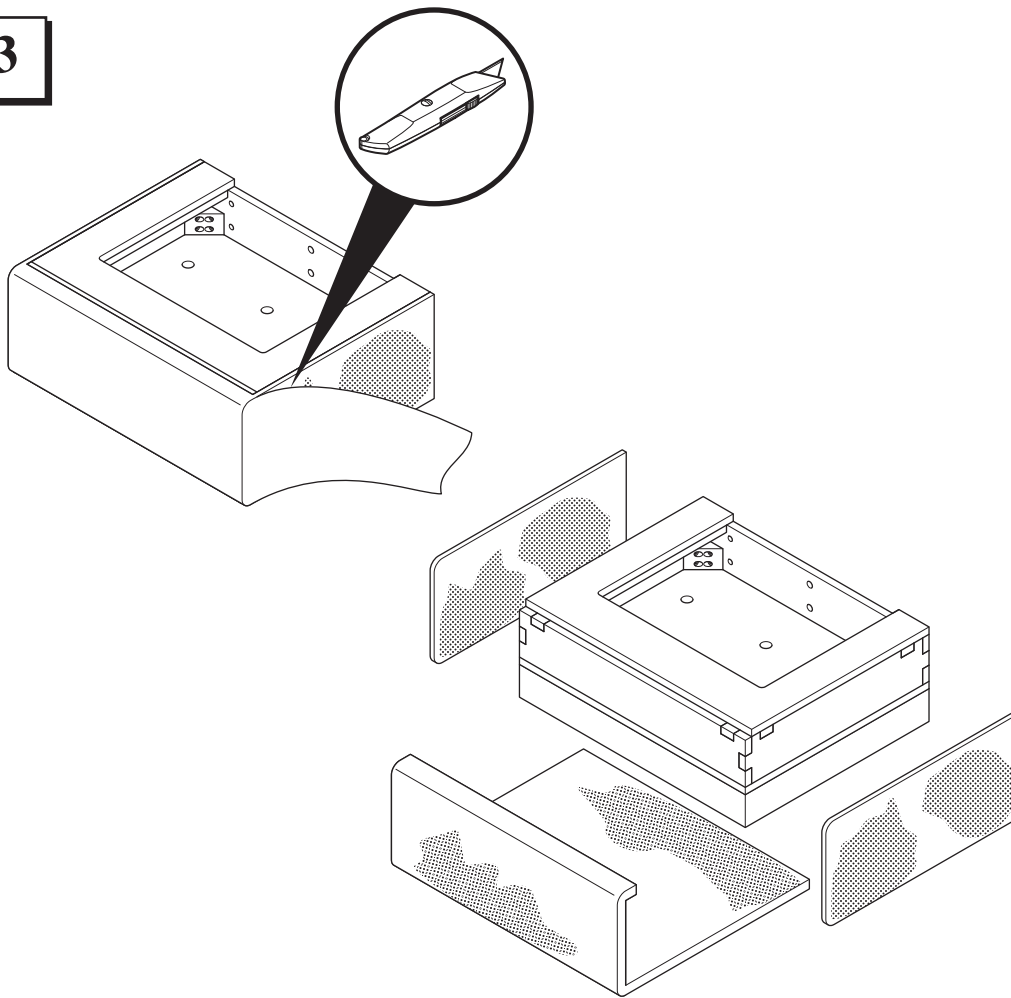
FABRIC



CUSTOMER SERVICE PHONE: 1-800-426-8562

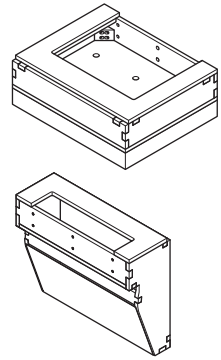
HAWORTH®

3

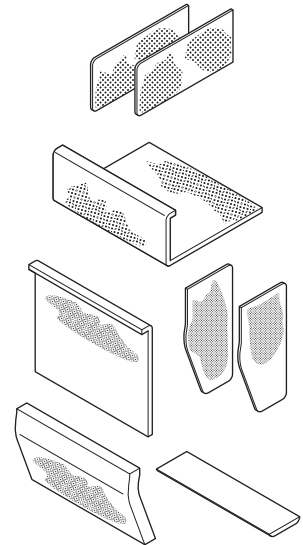


 RECYCLE BINS

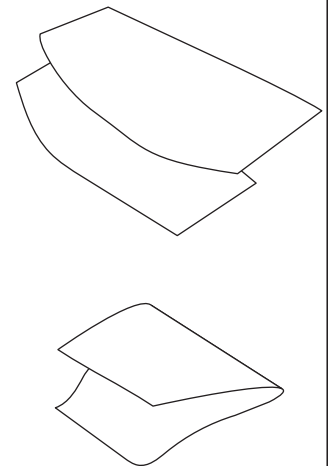
WOOD



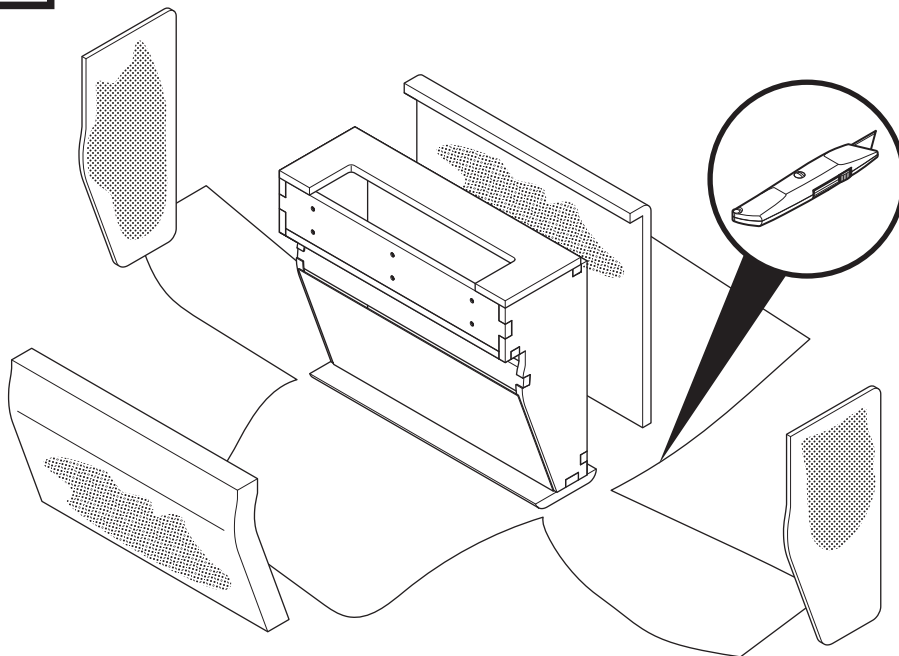
FOAM



FABRIC



4

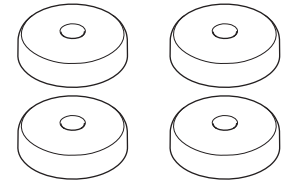


RECYCLE BINS

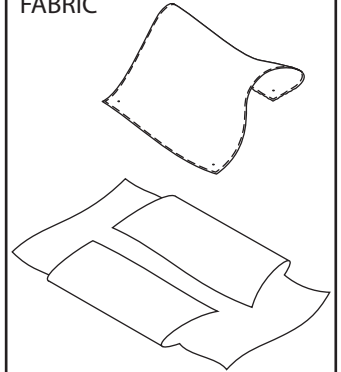
STEEL



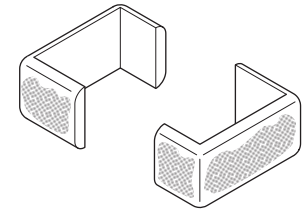
NYLON/PLASTIC



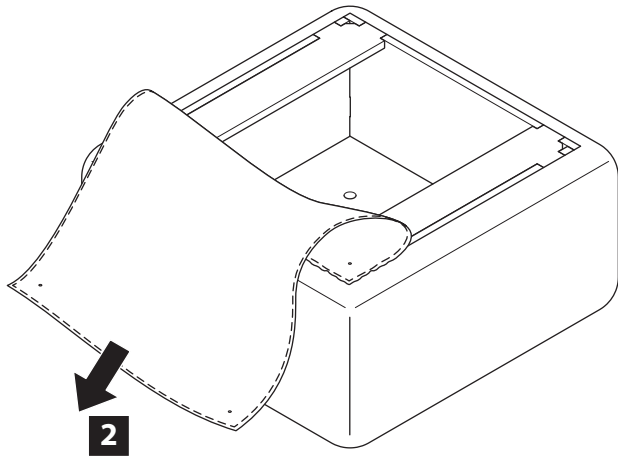
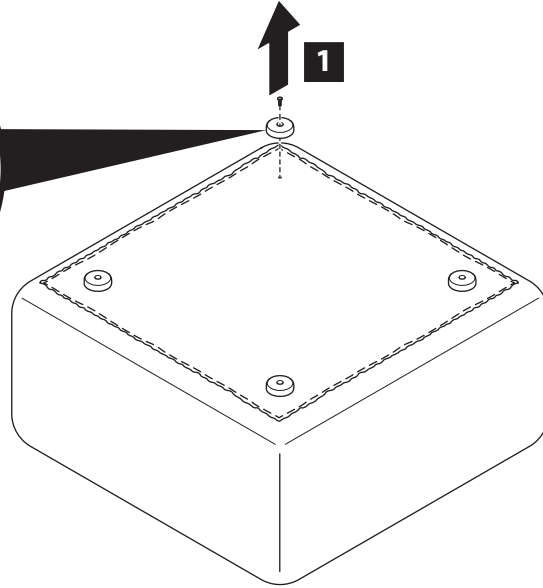
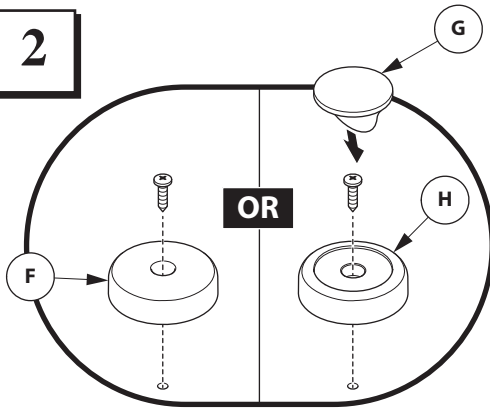
FABRIC



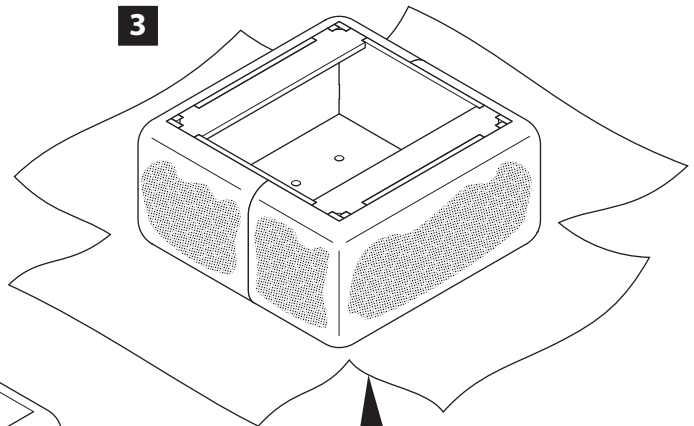
FOAM



2



3



4

