

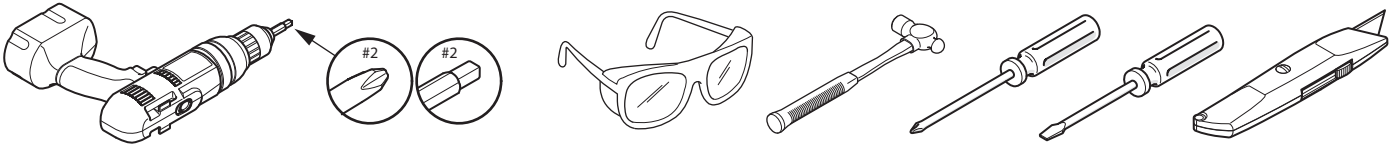


PLANES®

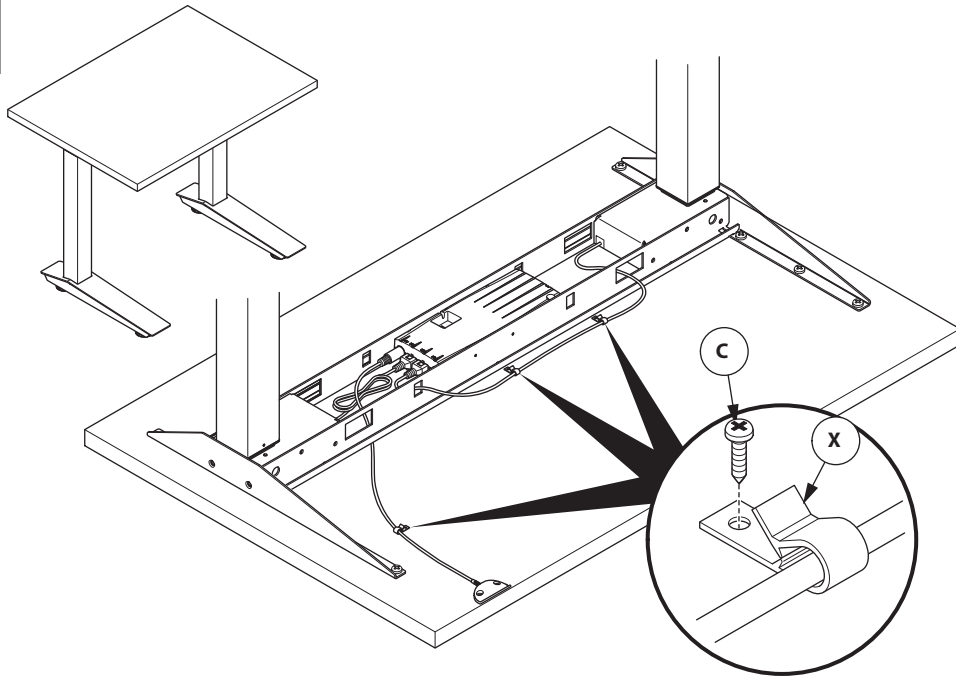
Height Adjustable

Disassembly & Recycling Instructions

Tools Required



1

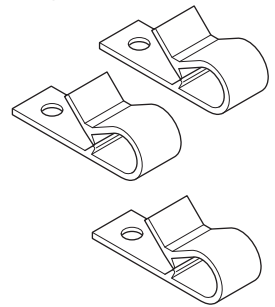


RECYCLE BINS

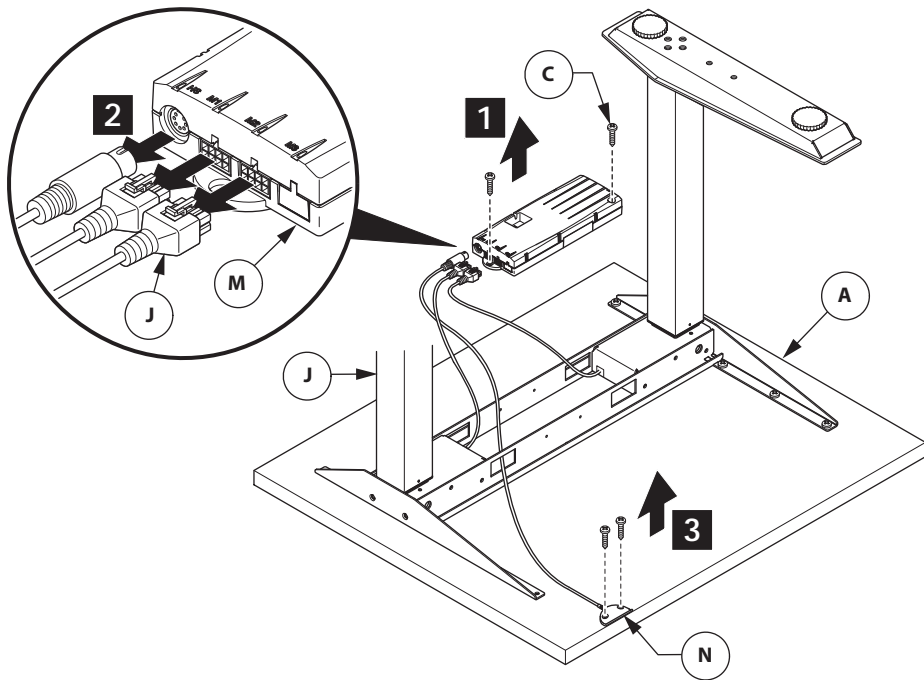
STEEL



NYLON/PLASTIC

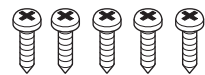


2

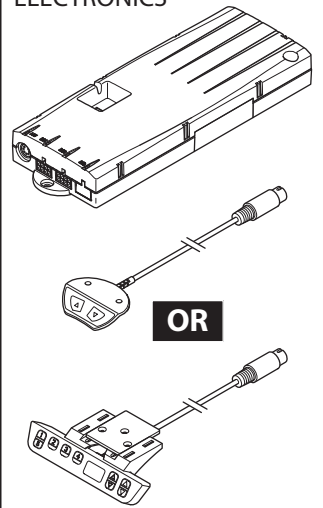


RECYCLE BINS

STEEL



ELECTRONICS

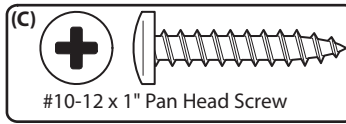
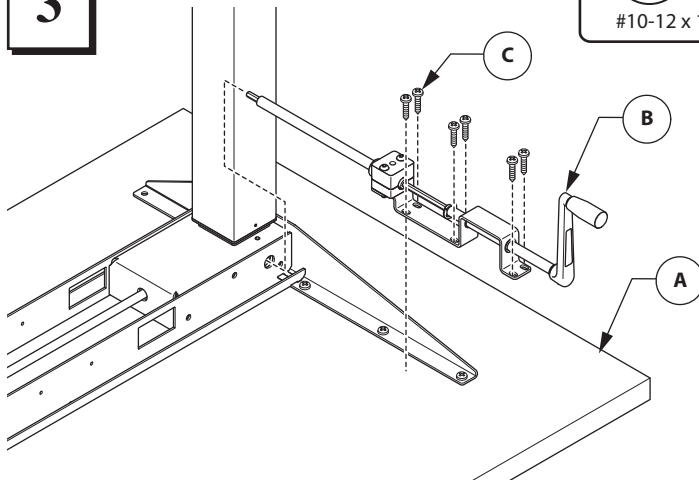


CUSTOMER SERVICE PHONE: 1-800-426-8562

HAWORTH®

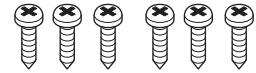
FOR CRANK TABLES

3



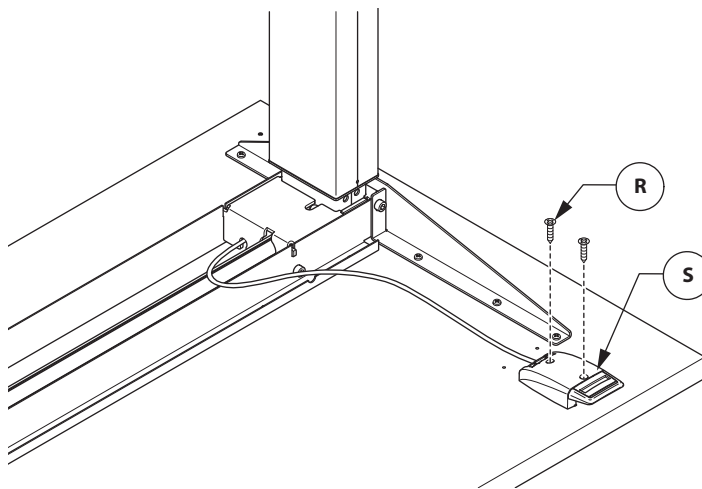
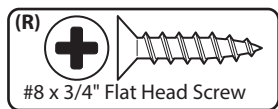
RECYCLE BINS

STEEL



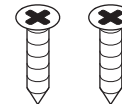
FOR TORSION TABLES

4

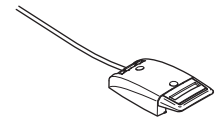


RECYCLE BINS

STEEL

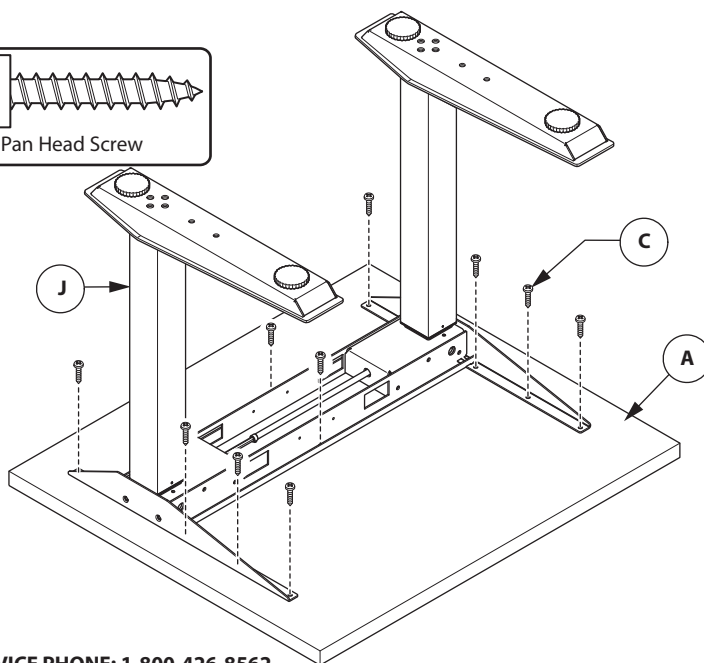
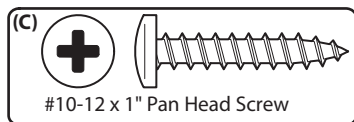


NYLON/PLASTIC



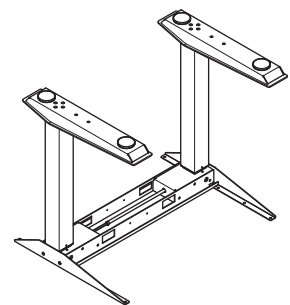
5

Install top (A)

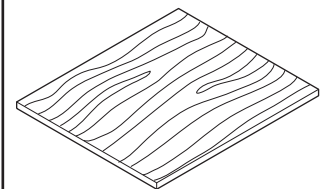


RECYCLE BINS

STEEL



WOOD/LAMINATE



CUSTOMER SERVICE PHONE: 1-800-426-8562