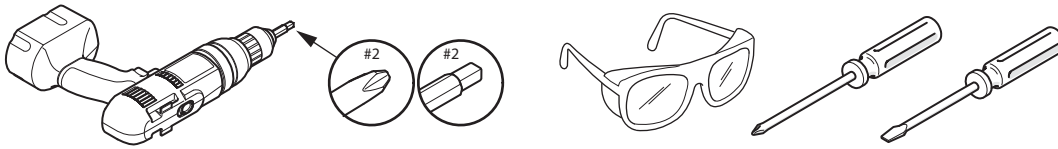




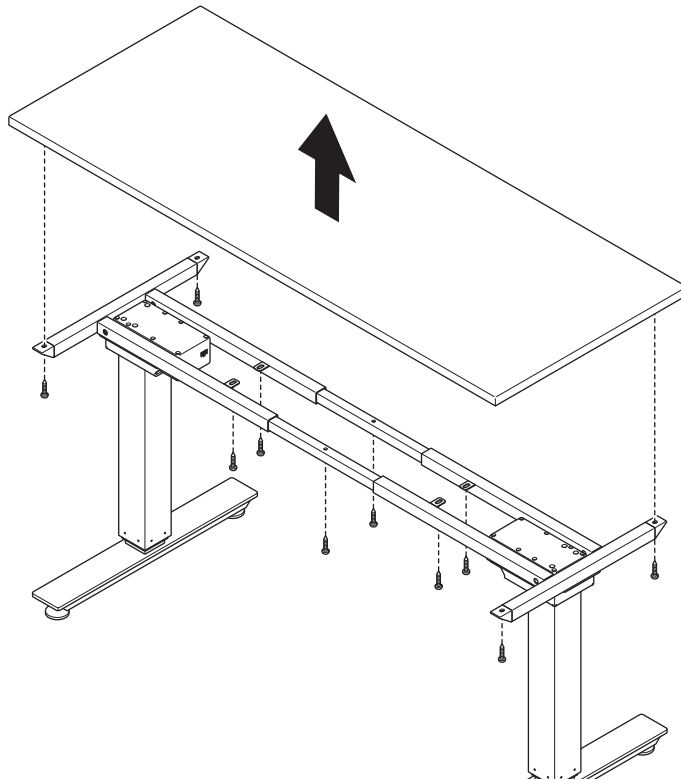
**HOP®**  
**Height Adjustable Tables**  
 Disassembly & Recycling Instructions

**Tools Required**



**FOR 2 LEG TABLES**

**1**

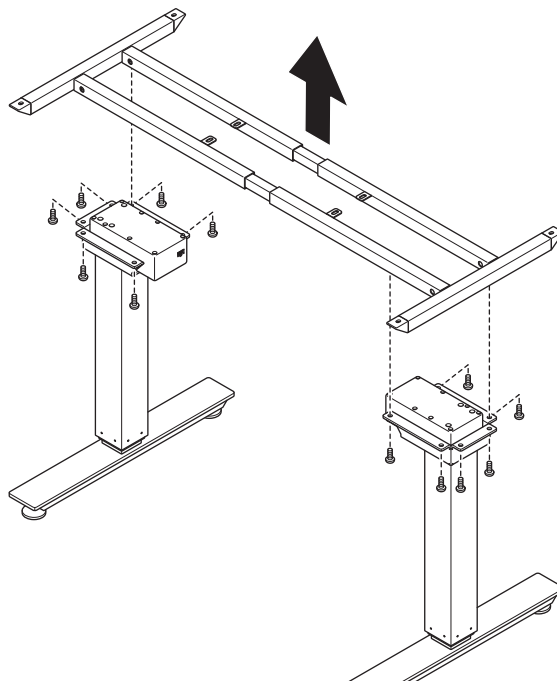


**RECYCLE BINS**

**STEEL**

**WOOD/VENEER/LAMINATE**

**2**



**RECYCLE BINS**

**STEEL**

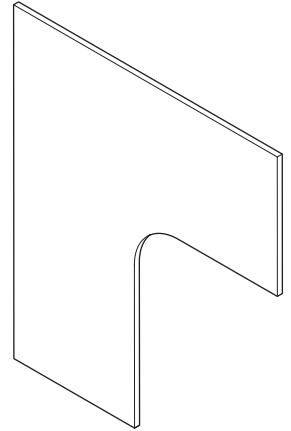
CUSTOMER SERVICE PHONE: 1-800-426-8562

 RECYCLE BINS

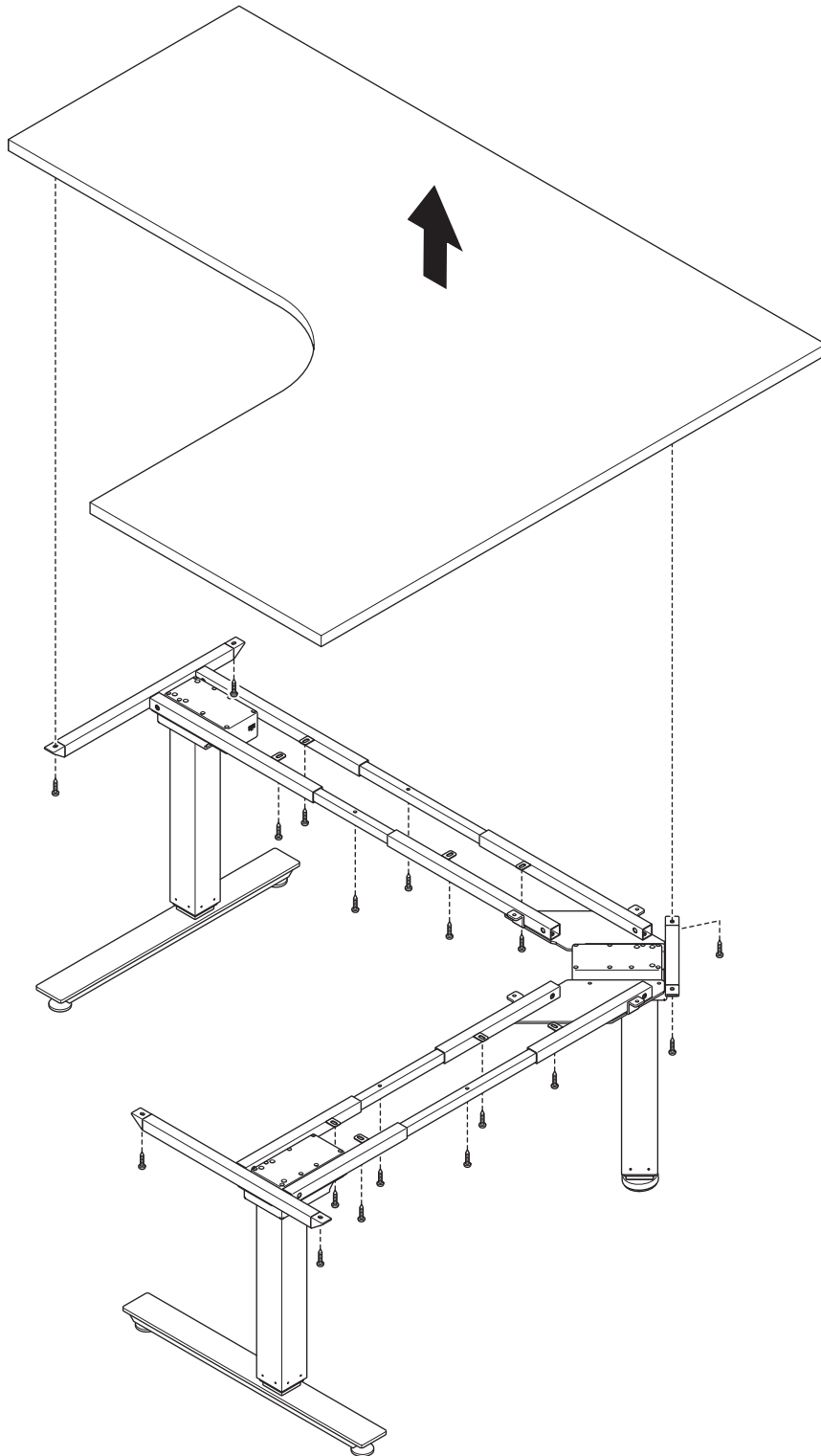
STEEL



WOOD/VENEER/LAMINATE

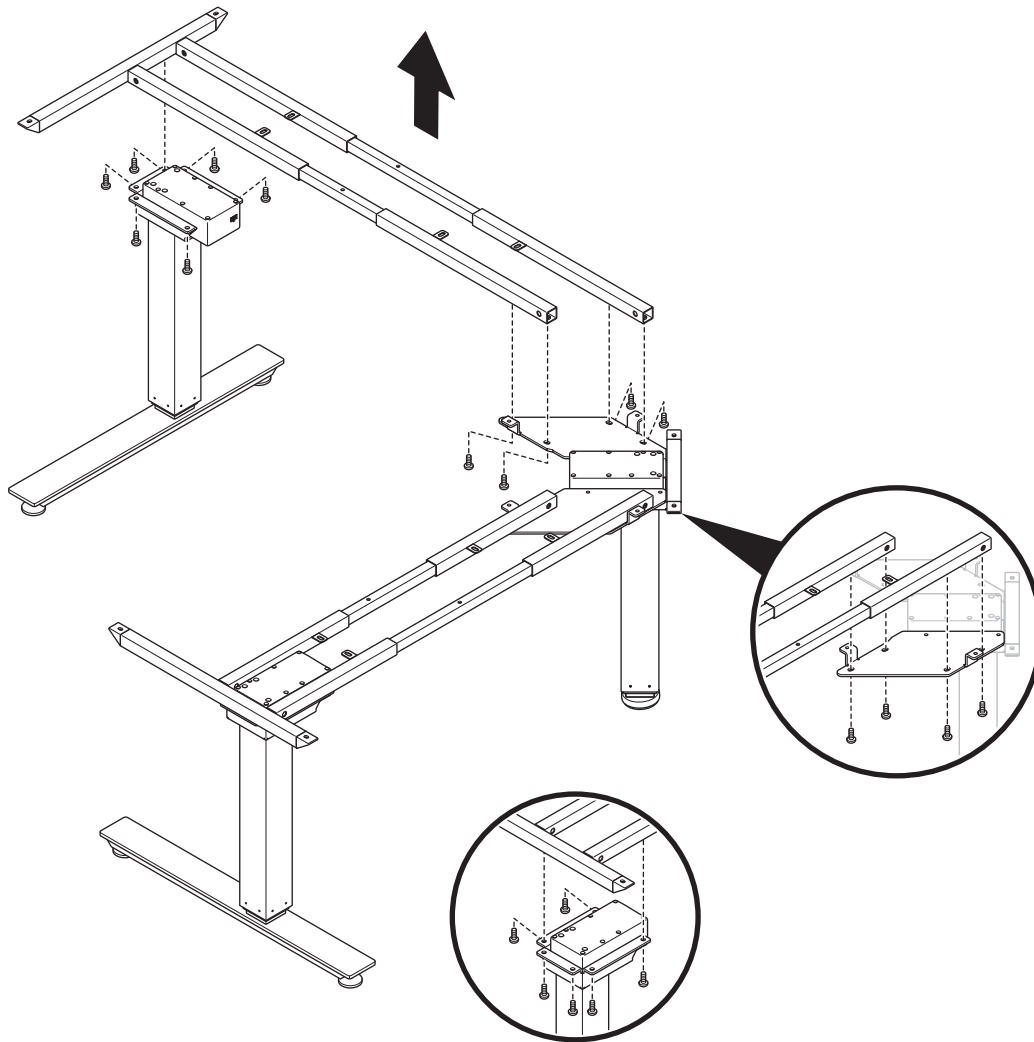



1



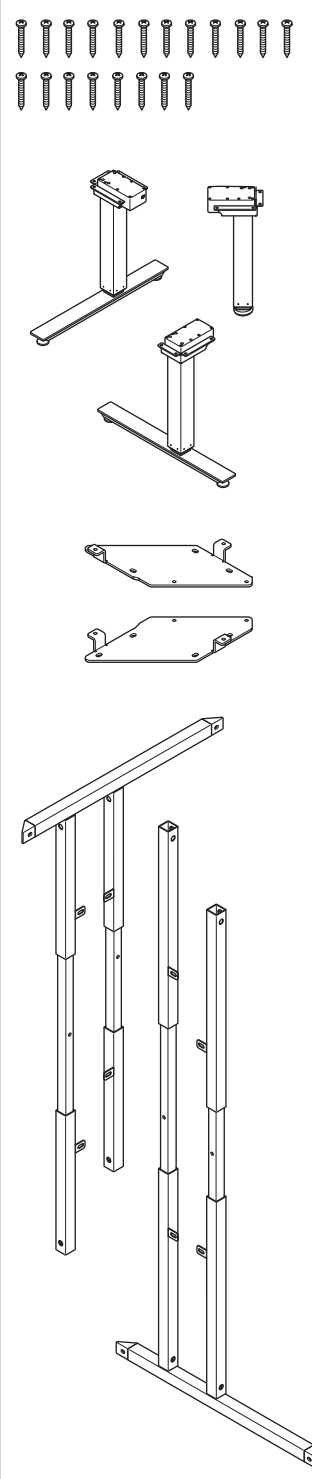
CUSTOMER SERVICE PHONE: 1-800-426-8562

1



 **RECYCLE BINS**

**STEEL**



This section lists the steel components from the assembly that should be recycled. It includes 18 screws, 2 brackets, 2 plates, and 3 legs, each accompanied by a small illustration of the part.