

HAWORTH®

ENVISIONING SPACE



HAWORTH CAN BE FOUND



Auditoriums



Aviation



Hotels



Automotive



Restaurants



Outdoors



Workplaces



Yachting



Residential

Boundless Choice Distinctive Brands

From timeless classics to contemporary furnishings, our Family of Brands offers nearly infinite options to furnish every area of your facilities. Our carefully curated portfolio provides high quality products to suit every budget and style, allowing you to create unique spaces that can evolve along with your organization.

Haworth Companies and Partner Brands

Commercial Interiors

Organic Workspaces that align people and space for optimal performance.

HAWORTH
Holland, Michigan, USA

TUOHY
Chatfield, Minnesota, USA

AS
Leominster, Massachusetts, USA

BUZZI SPACE
Kontich, Belgium

hushoffice
Łódź, Poland

Lifestyle Design*

Premium brands with unique capabilities and know-how to inspire the variety of our customers' interior needs.

*Headquartered in Milan, Italy

Cassina
Meda, Italy

cappellini
Lentate, Italy

CECCOTTICOLLEZIONI
Cascina, Italy

LUMINAIRE
Miami, Florida, USA

Poltrona Frau
Tolentino, Italy

LOZINE
San Francisco, California, USA

JANUS et Cie
Santa Fe Springs, California, USA

LUXURY LIVING GROUP
Forli, Italy

Karakter
Copenhagen, Denmark

Partners

Our global brand partners work together to create intelligent and inspirational environments that align people and space for optimal performance.

emeco
Hanover, Pennsylvania, USA

kvadrat
Ebeltoft, Denmark

GAIN
Valencia, Spain

Pablo
San Francisco, California, USA



DESIGN SOLUTIONS

Private Office 1 | 10' x 10'



81"H wood wardrobe with touch latch door, non-locking

Wall-mounted tackboard and wood open shelf

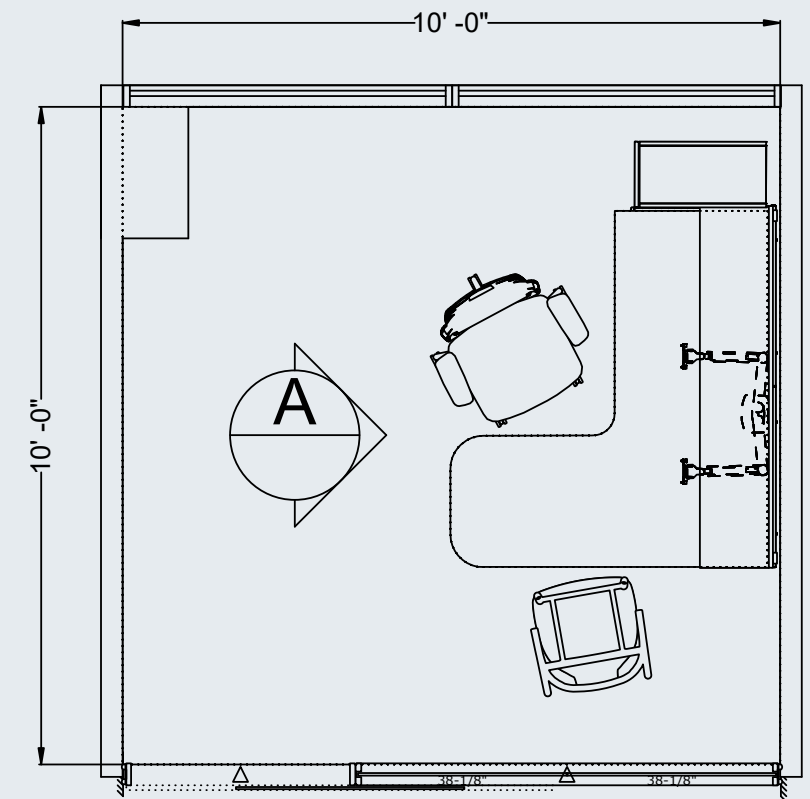
24"D x 60"W / 36"W return wood L-shape height adjustable desk with integrated box/file pedestal, wood modesty panel, laminate wall-mounted shroud, and straight metal leg

Dual monitor arm



Scan QR code or click on image to download file.

Plan View



Elevation View A



Private Office 2 | 10' x 10'



24"D x 60"W electric height adjustable desk with wall-mounted base and laminate shroud including access panel, wood worksurface with knife edge, and dual monitor arm

69"H wardrobe with wood front, laminate case, touch latch, non-locking

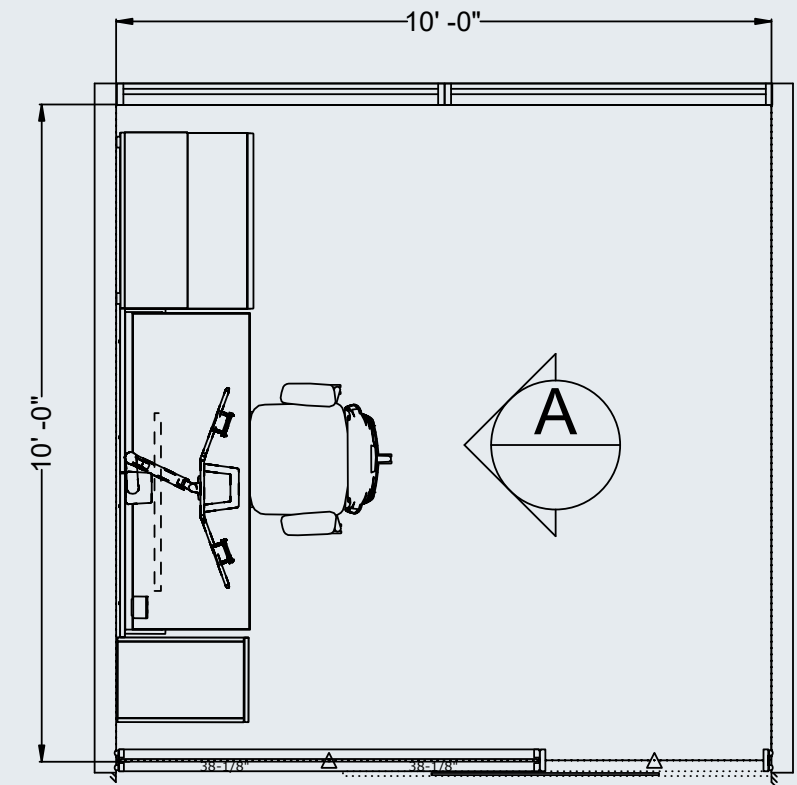
29"H laminate 2-drawer lateral file with wood storage top, locking

Wall-mounted tackboards and metal shelves

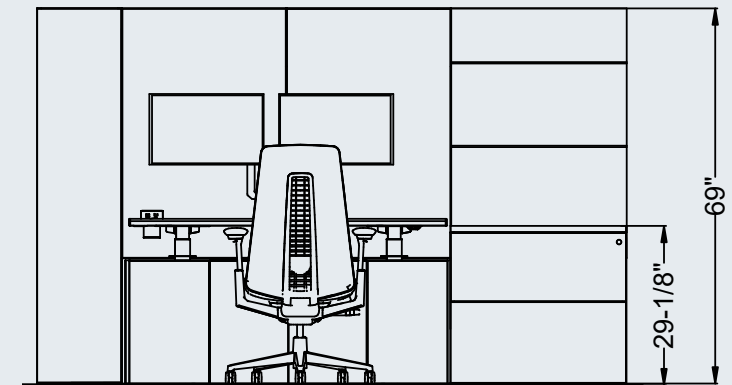


Scan QR code or click on image to download file.

Plan View



Elevation View A



Private Office 3 | 10' x 10'



24"D x 60"W electric height adjustable desk with wall-mounted base and laminate shroud including access panel, wood work surface with knife edge, and dual monitor arm

8'H wardrobe with wood front, laminate case, touch latch, non-locking

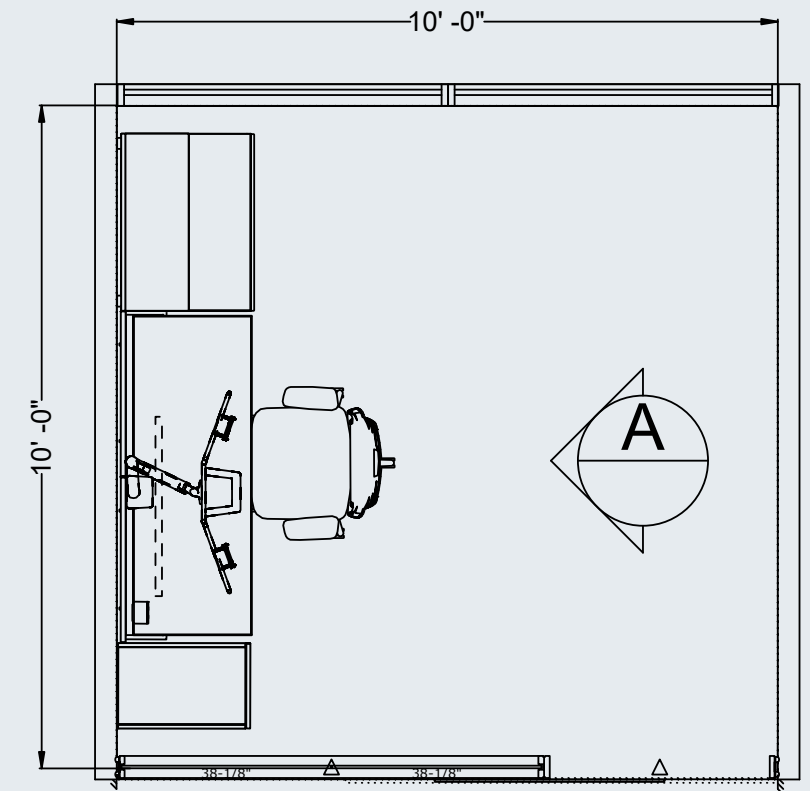
29"H laminate 2-drawer lateral file with wood storage top, locking

Wall-mounted tackboards and metal shelves

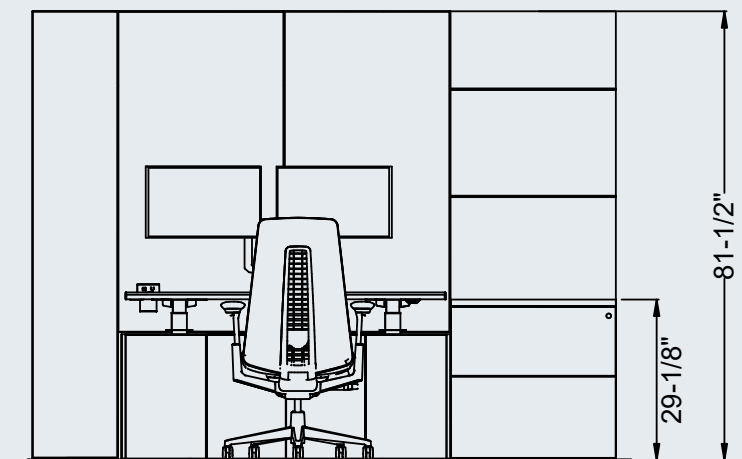


Scan QR code or click on image to download file.

Plan View



Elevation View A



Private Office 4 | 10' x 12'



Electric height adjustable desk with wall-mounted base and laminate shroud including access panel, wood worksurface with knife edge, and dual monitor arm

81"H wardrobe with wood front, laminate case, touch latch, non-locking

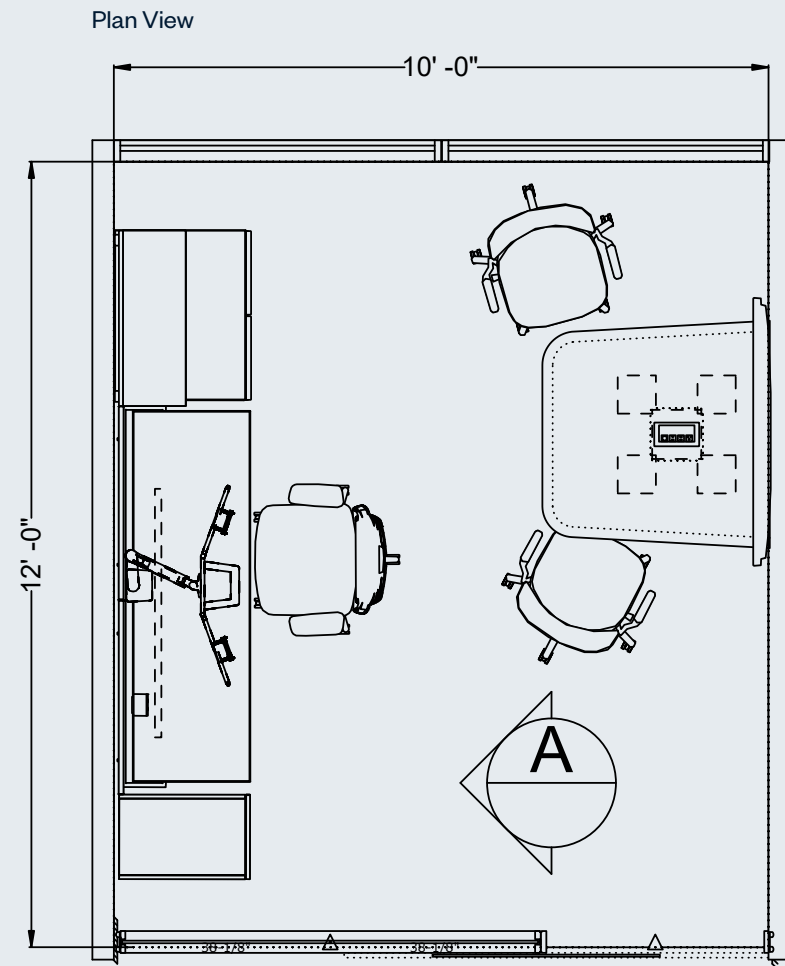
29"H laminate 2-drawer lateral file with wood storage top, locking

Wall mounted tackboards and metal shelves

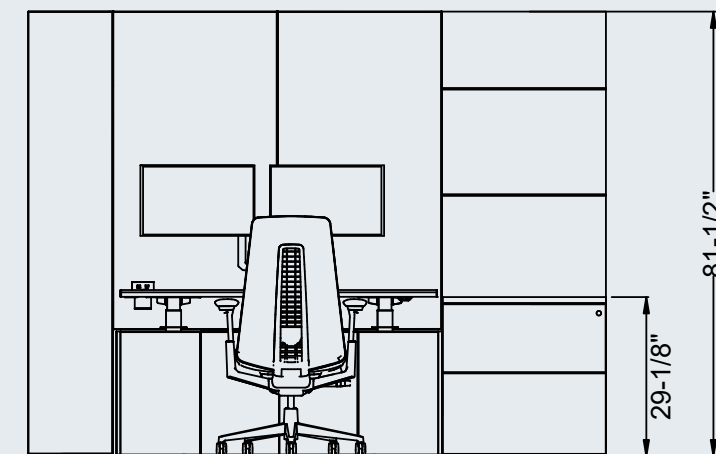
Half-wedge meeting table with wood knife edge top and painted metal pedestal base for cable management



Scan QR code or click on image to download file.



Elevation View A



Private Office 5 | 10' x 12'



69"H laminate wardrobe with touch latch door, non-locking

Wall-mounted tackboard and laminate open shelf at 69"H

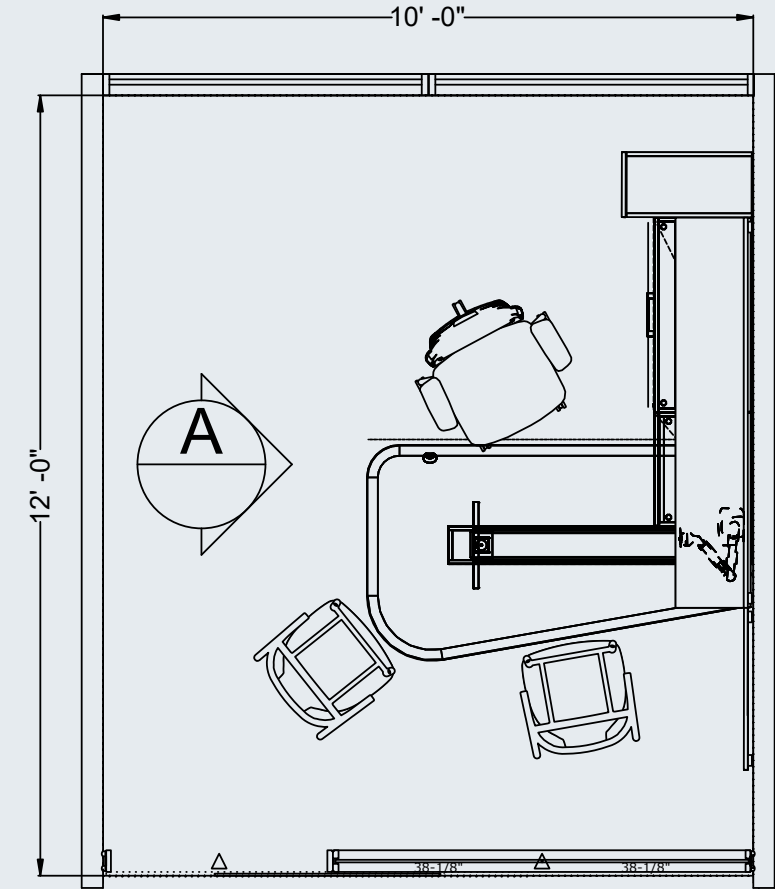
42"D / 30"D x 72"W wedge-shape laminate knife-edge height adjustable desk with laminate 22"H shroud over legs and single monitor arm

Integrated 22"H lower storage with box/file lateral and access panel



Scan QR code or click on image to download file.

Plan View



Elevation View A



Private Office 6 | 10' x 12'



69"H laminate wardrobe with touch latch door, non-locking

Wall-mounted tackboard, laminate panel, and laminate open shelf

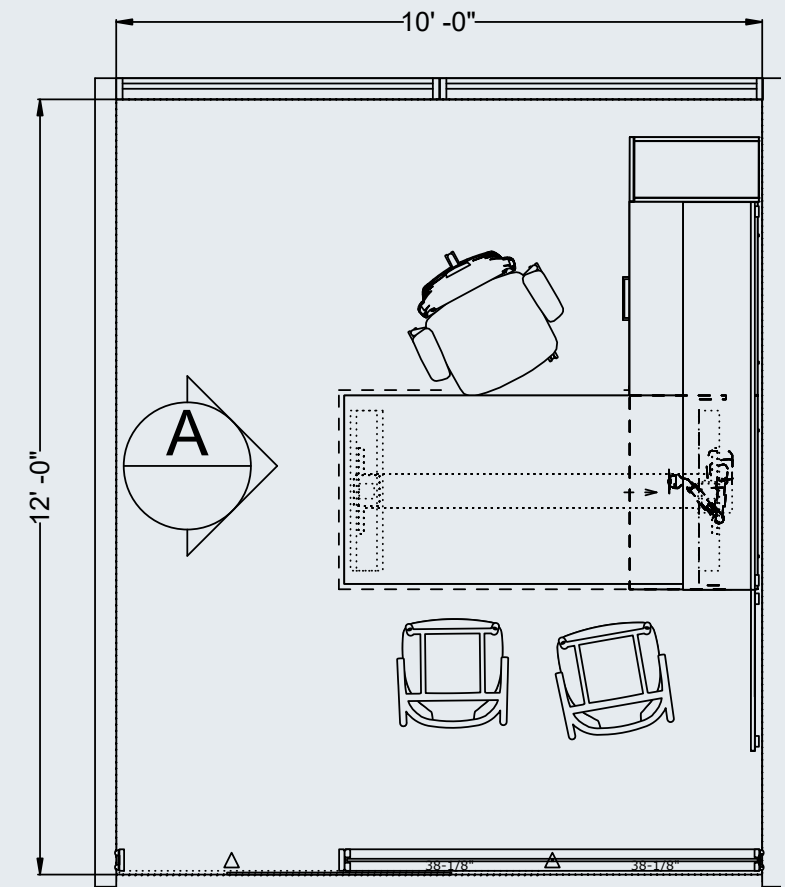
30"D x 72"W laminate convergent height adjustable desk with left leg in storage and right leg with laminate shroud, single monitor arm

22"H lower storage return includes box/file lateral and open shelf with concealed height adjustable leg



Scan QR code or click on image to download file.

Plan View



Elevation View A



Private Office 7 | 10' x 12'



30"D x 60"W wall-mounted laminate height adjustable desk with clamp-mount power unit

Laminate mobile box/file pedestal

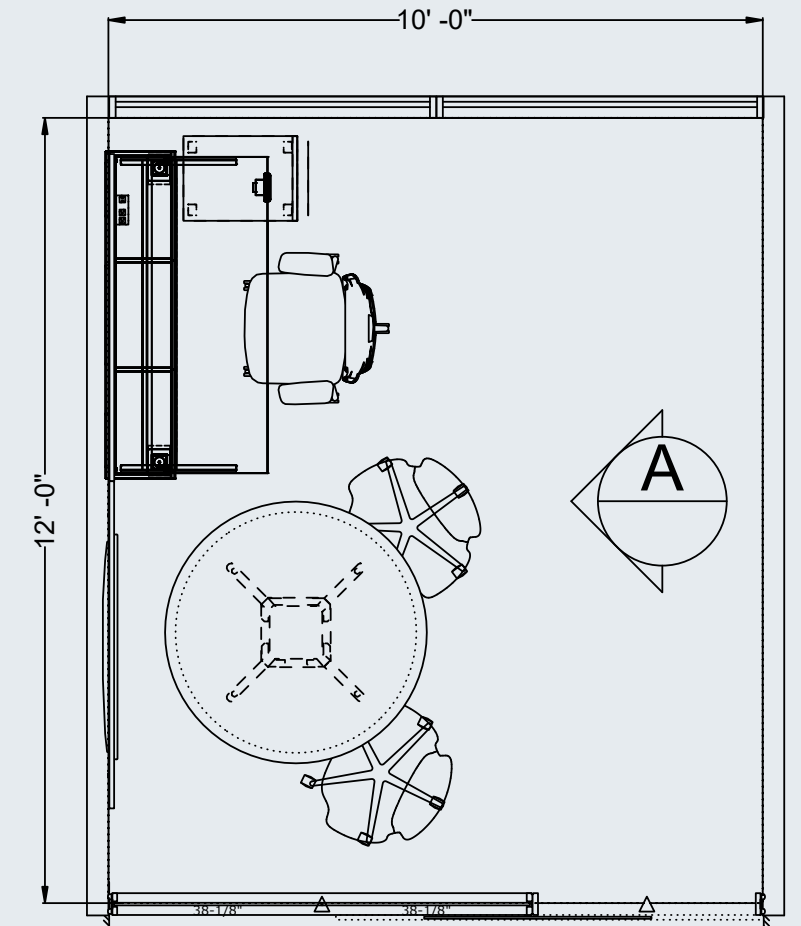
48"D x 29"H wood collaborative table with wood legs

Wall-mounted tackboard and laminate panel for monitor mount

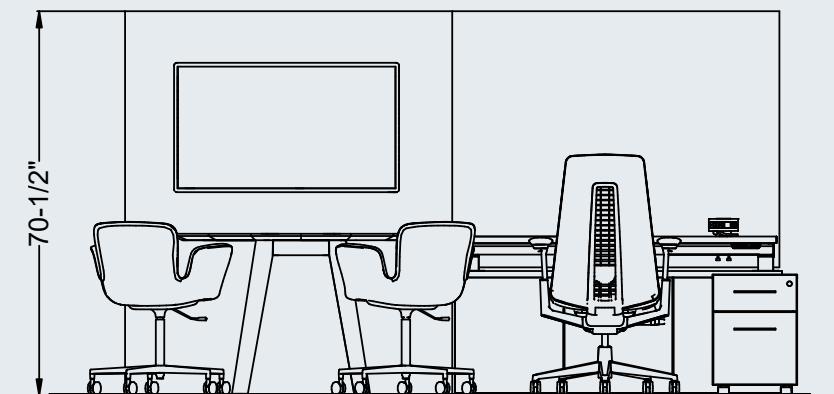


Scan QR code or
click on image to
download file.

Plan View



Elevation View A



Private Office 8 | 10' x 15'



29"D x 72"W wood height adjustable desk with telescoping shrouds and waterfall panels, single monitor arm and faux leather blotter

19"D x 48"W x 29"H sliding credenza return

Wall-mounted tackboard, open shelf, and wood panel

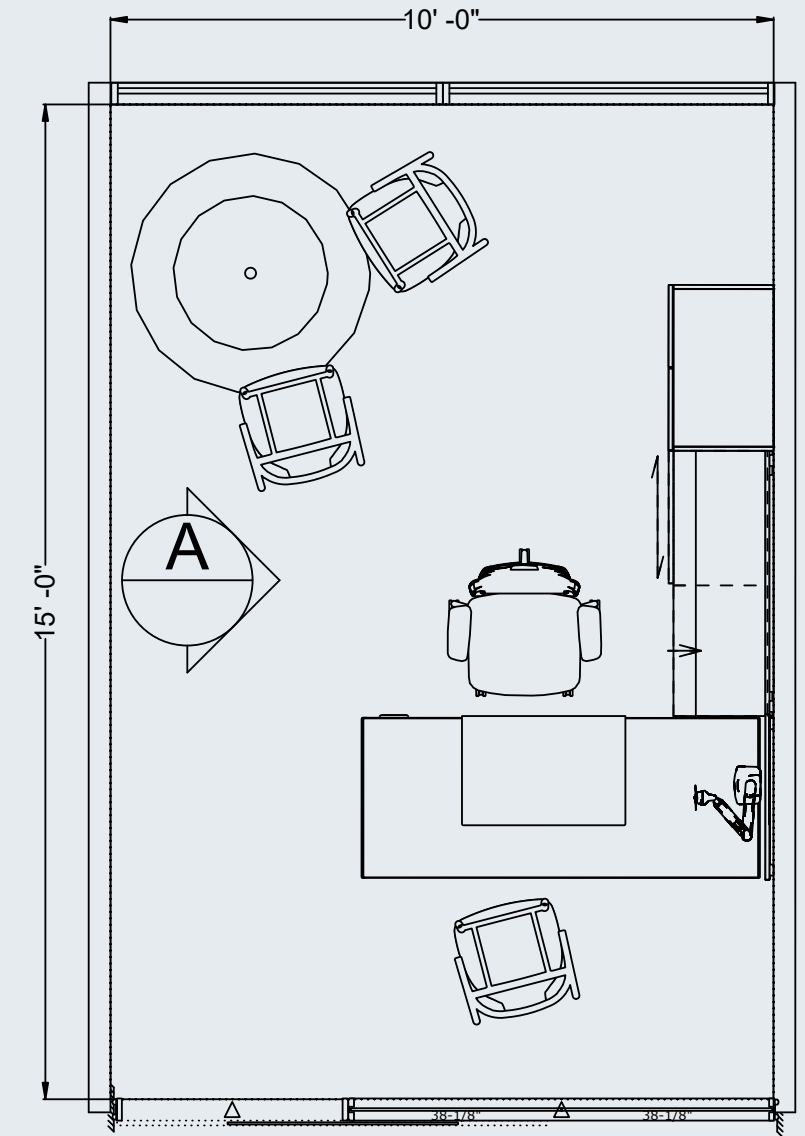
81"H x 19"D x 30"W 2-door combination wardrobe + bookshelf

42"D round marble collaborative table



Scan QR code or click on image to download file.

Plan View



Elevation View A



Private Office 9 | 10' x 15'



36"D x 72"W x 42"W return laminate knife edge L-shaped desk with wall mounted laminate shroud, grommet mounted dual monitor arm, and integrated power hatch on return

Laminate mobile box/file pedestal

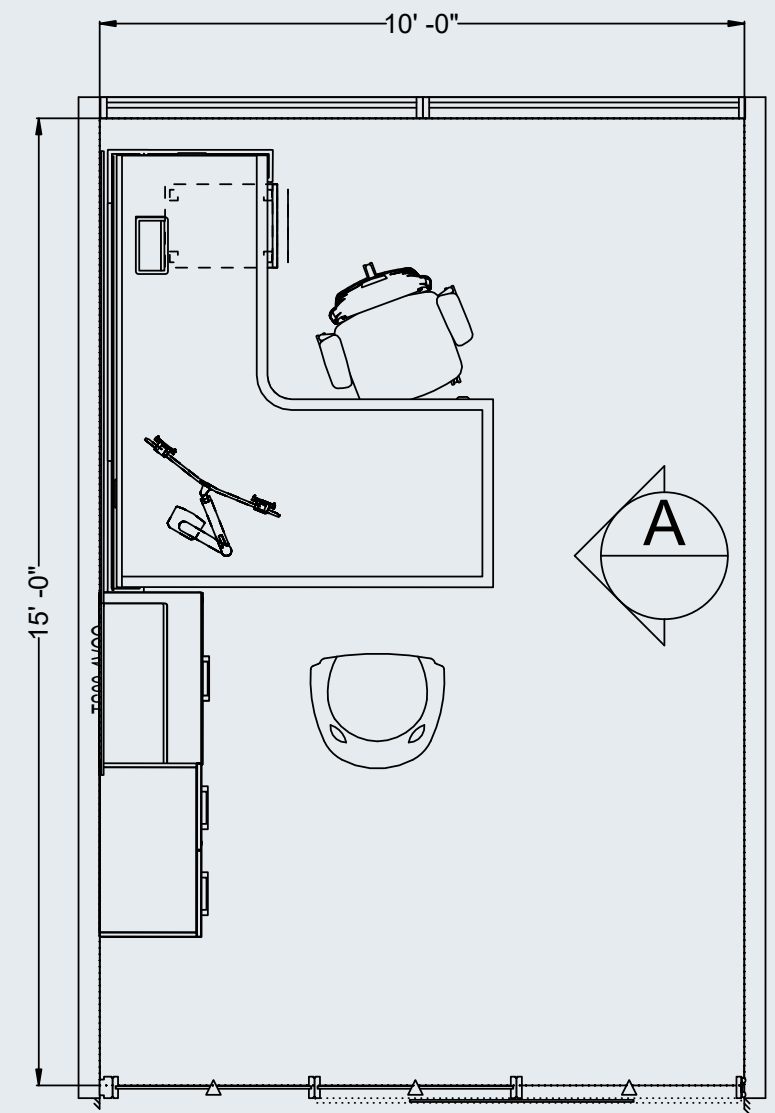
19"D x 64"W combination storage with 2H lower lateral file and 2-door storage cabinet and 3H 2-door stack-on bookshelf

12"D metal wall-mounted shelves and wall-mounted tackboard

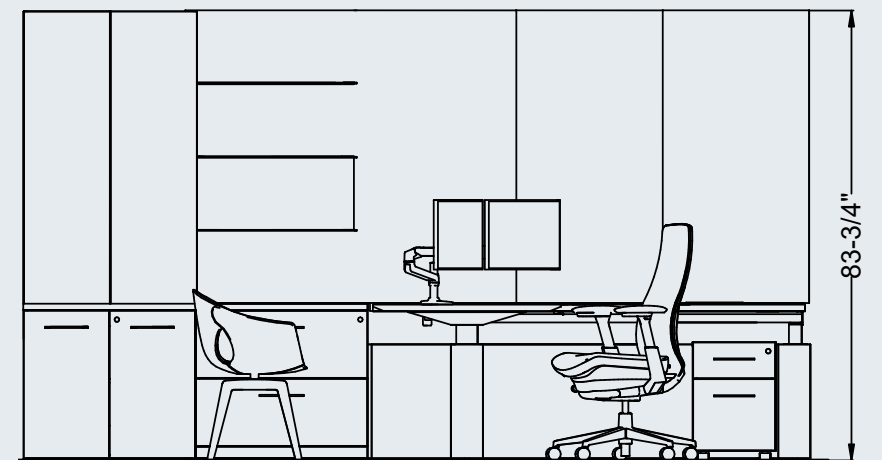


Scan QR code or click on image to download file.

Plan View



Elevation View A



Private Office 10 | 10' x 15'

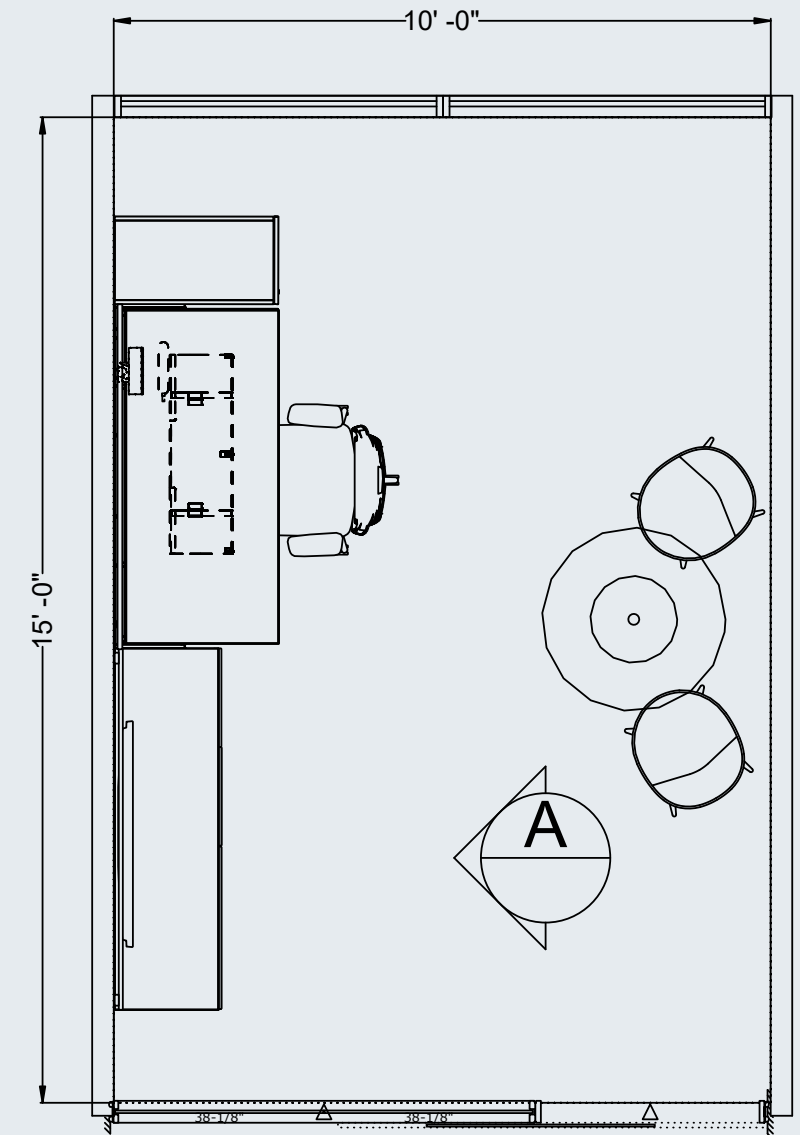


- 30"D x 60"W wood wall-mounted height adjustable desk with clamp-mount power unit
- 19"D x 66"W x 29"H credenza with 2H lateral file, box/box/file, and closed media cabinet
- 30"D x 15.5"W x 69"H wood wardrobe
- Wall-mounted tackboard and wood panel for monitor mount

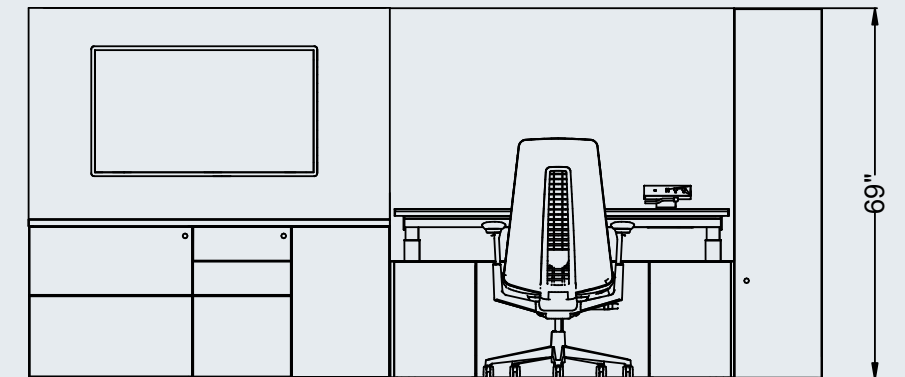


Scan QR code or click on image to download file.

Plan View



Elevation View A



Private Office 11 | 10' x 15'



30"D x 84"W / 24"D x 36"W return wood L-shape height adjustable desk with metal telescoping shroud, wood modesty panel, and metal wall-mounted return shroud

24"D x 18"W wood fixed box/box/file pedestal

81"H x 24"D x 15.5"W laminate single wardrobe

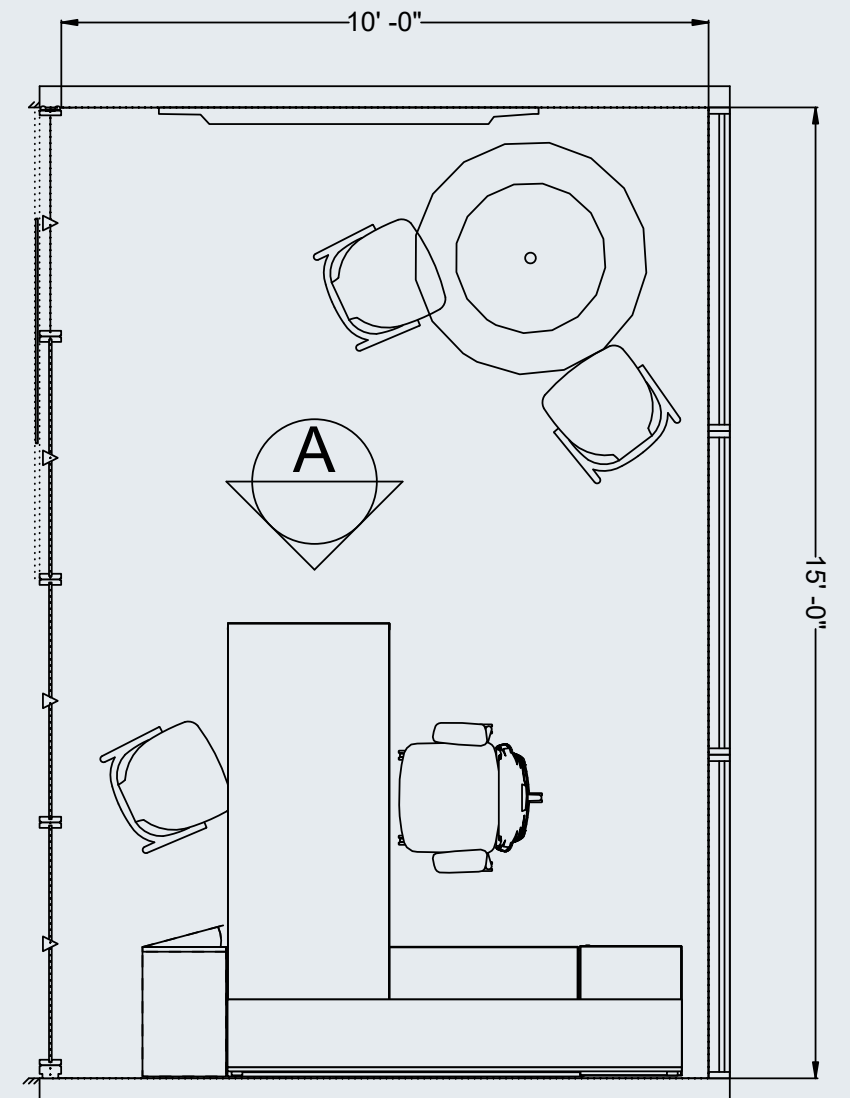
Wall-mounted open shelf and tackboard

42"D x 29"H marble side table and guest seating

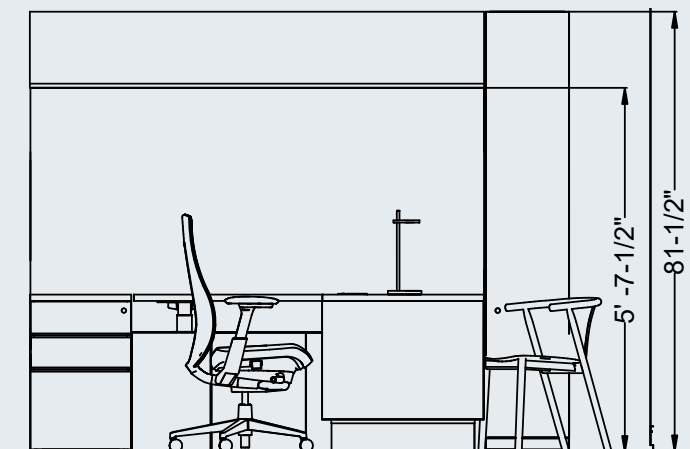


Scan QR code or click on image to download file.

Plan View



Elevation View A



Private Office 11 | 10' x 15'



30"D x 84"W / 24"D x 36"W return wood L-shape height adjustable desk with metal telescoping shroud, wood modesty panel, and metal wall-mounted return shroud

24"D x 18"W wood fixed box/box/file pedestal

81"H x 24"D x 15.5"W laminate single wardrobe

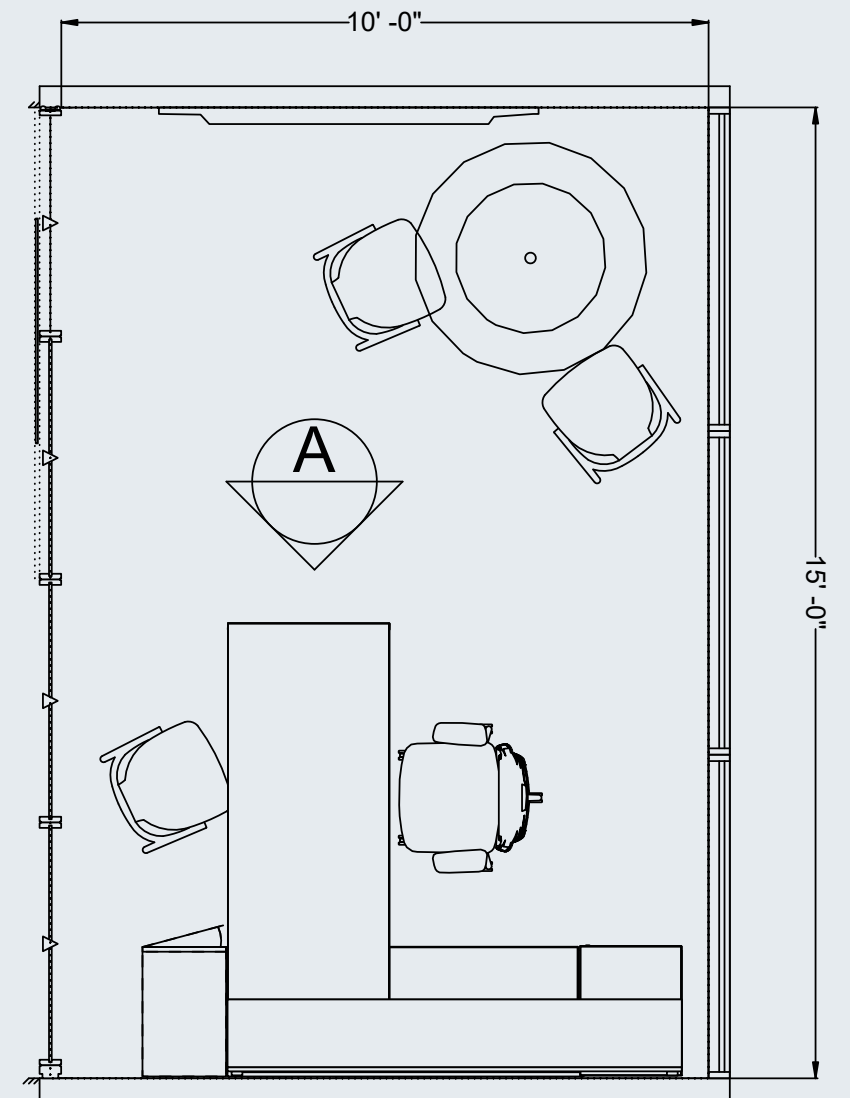
Wall-mounted open shelf and tackboard

42"D x 29"H marble side table and guest seating

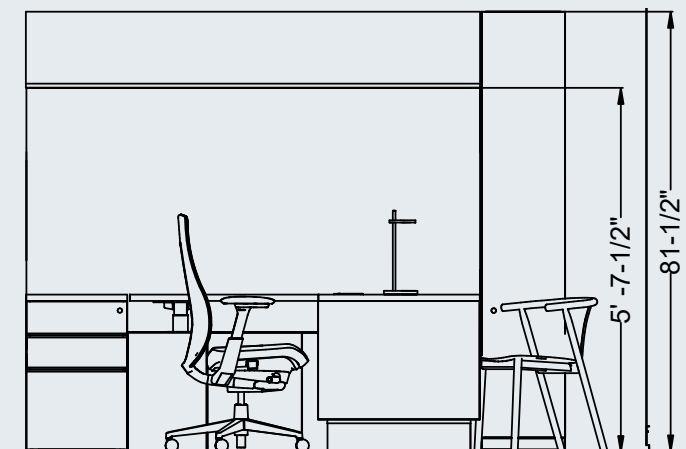


Scan QR code or click on image to download file.

Plan View



Elevation View A



Workstation 1 | 4 pack



4-pack of 29"D x 70"W laminate electric height adjustable desks with dual monitor arms and clamp-mount convenience power

26"H fabric powered panel spine and 42"H laminate end gallery panels

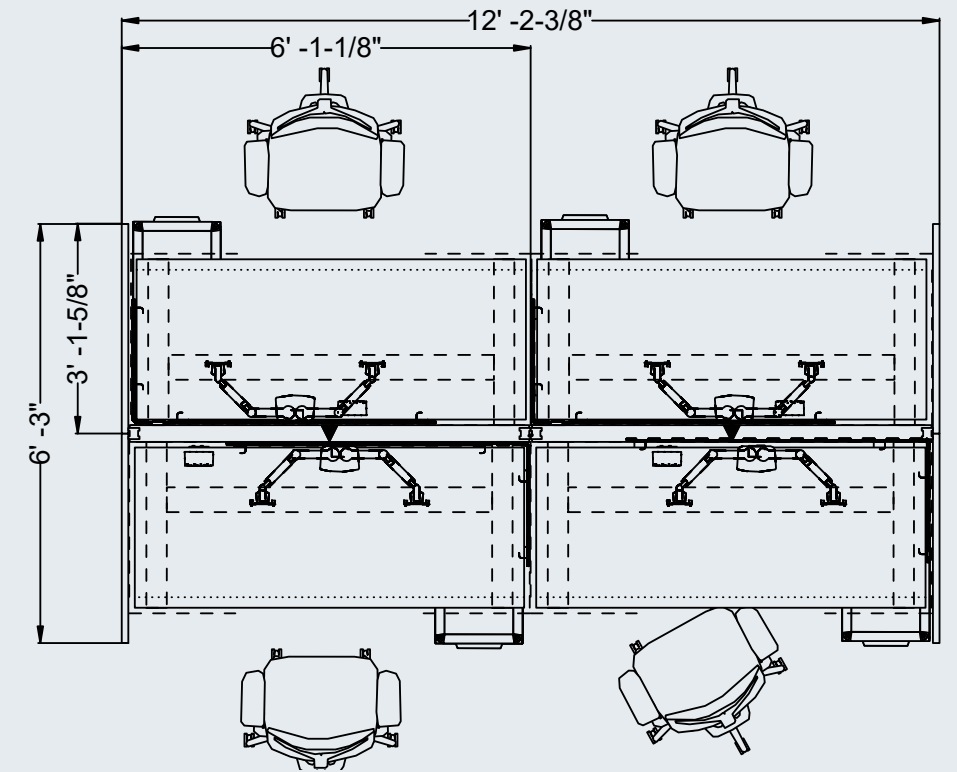
Laminate mobile box/file pedestal with cushion top per workstation

L-shape tackable screen attached to height adjustable desk per workstation

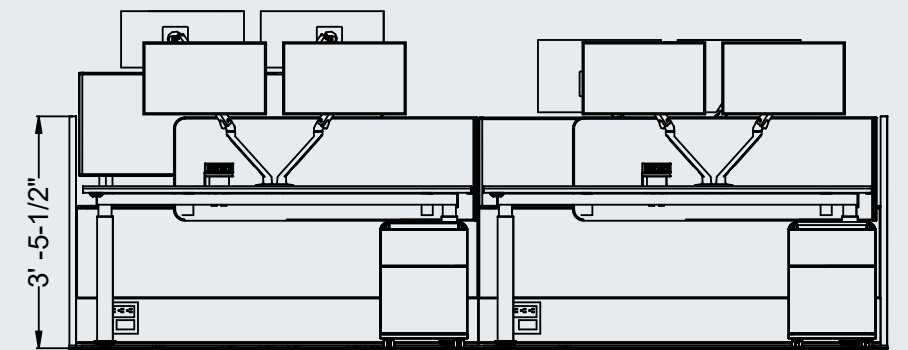


Scan QR code or
click on image to
download file.

Plan View



Elevation View



Workstation 2 | 4 pack



4-pack of 29"D x 70"W laminate electric height adjustable desks with dual monitor arms and clamp-mount convenience power

26"H fabric powered panel spine and 42"H laminate end gallery panels

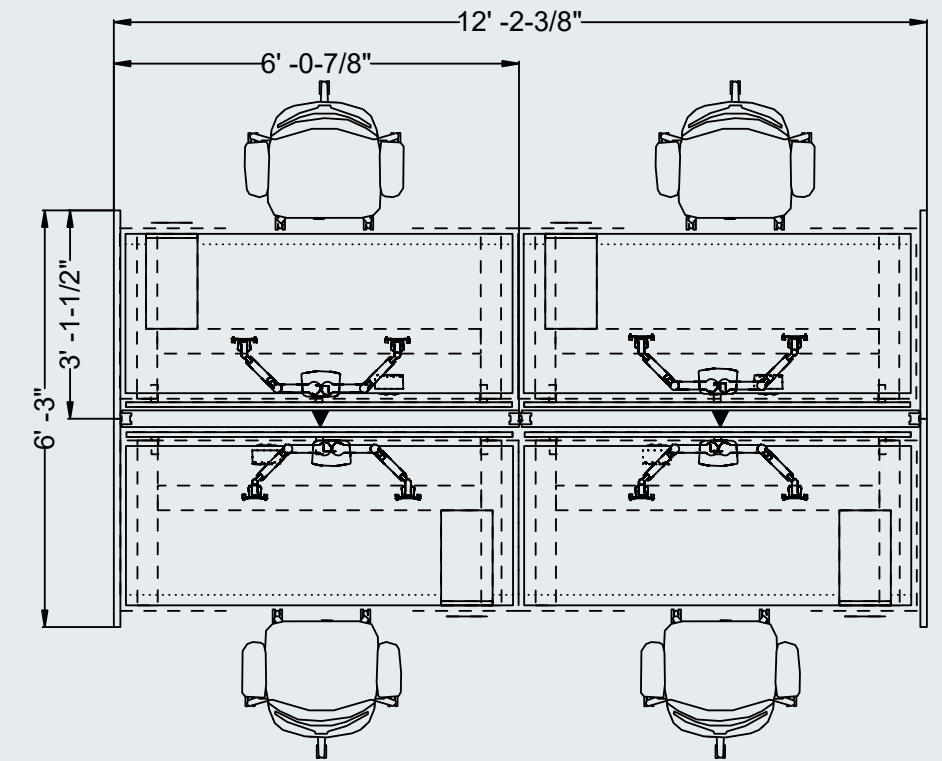
Tackable straight back screen per workstation

Box/open metal suspended storage per workstation

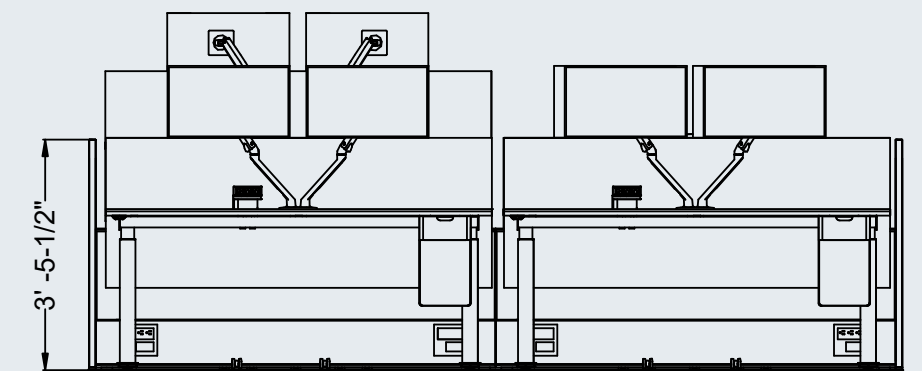


Scan QR code or
click on image to
download file.

Plan View



Elevation View



Workstation 3 | 4 pack



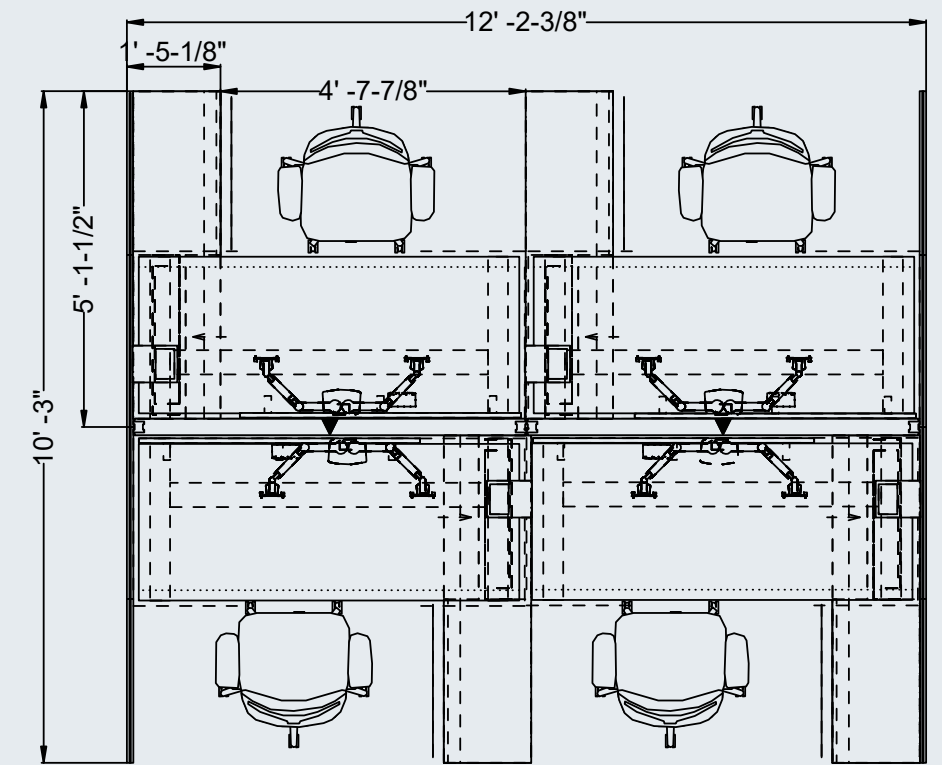
4-pack of 29"D x 70"W laminate electric height adjustable desks with dual monitor arms and clamp-mount convenience power, one leg integrated into lower storage

42"H fabric powered panel spine and 42"H laminate end gallery panels with 8"H smoke glass top

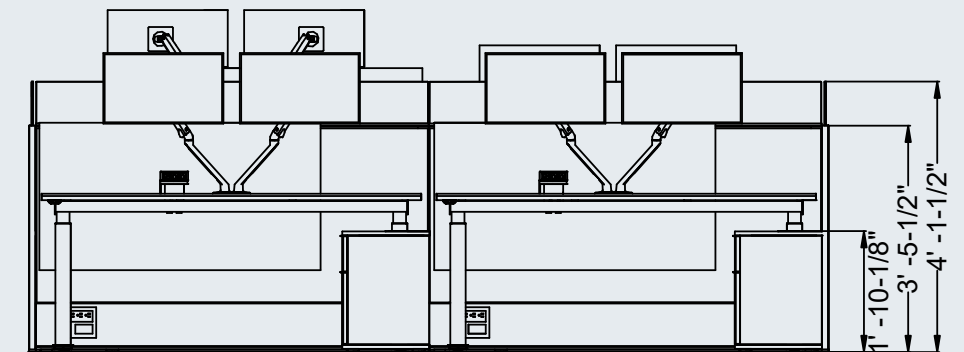
Tackable straight back screen per workstation

22"H lower storage credenza with box/file lateral and open compartment that includes integrated height adjustable desk leg and shared laminate top

Plan View



Elevation View



Scan QR code or click on image to download file.

Workstation 4 | 4 pack



4-pack of 29"D x 70"W laminate electric height adjustable desks with dual monitor arms and clamp-mount convenience power, one leg integrated into lower storage

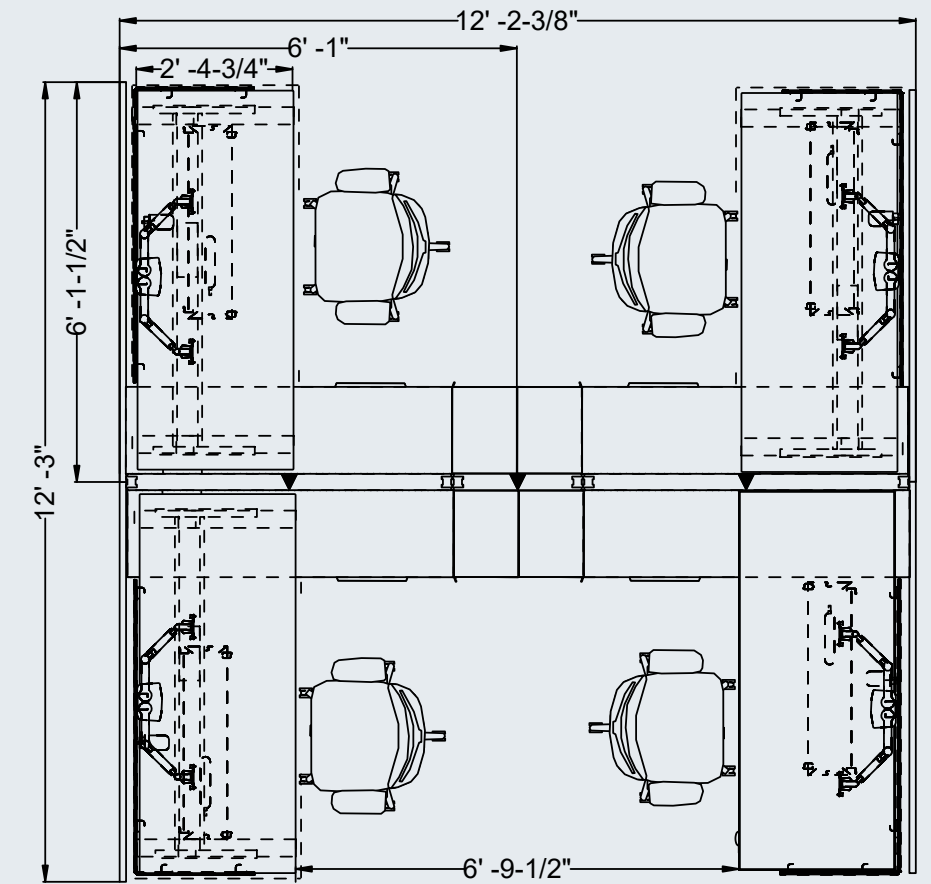
50"H fabric powered panel spine and 42"H laminate end gallery panels

L-shape tackable screen attached to height adjustable desk per workstation

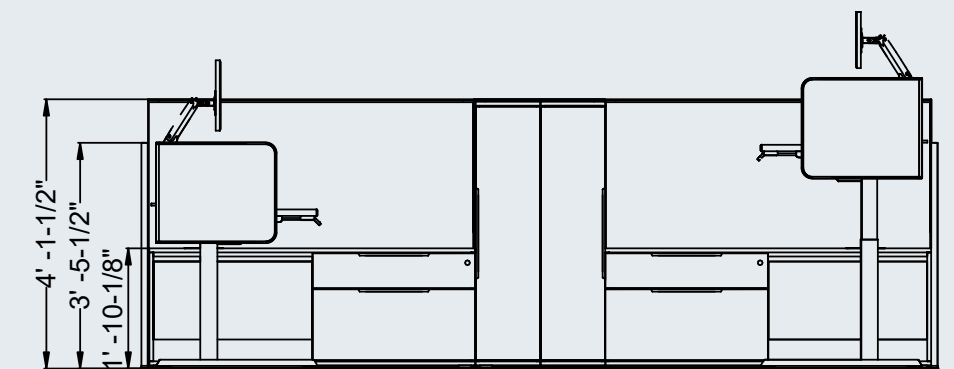
22"H lower storage with box/file lateral/open compartment with bag liner that includes integrated HAT leg

50"H laminate single wardrobe per user

Plan View



Elevation View



Scan QR code or click on image to download file.

PRODUCTS

Workstations



Compose

Compose is a panel-based workstation that offers the adaptive functionality needed for every-changing workstyles and environments. Compose has extensive options and creates cohesive solutions that withstand reconfiguration – again and again.

Click on the product icon to the right to learn more.



Offices



Masters Series

Haworth's X Series desks for offices are highly durable and flexible, supporting diverse needs, budgets and styles. These office desks are designed for visual consistency so there is design continuity, from the reception desk to the sales desks.

Click on the product icon to the right to learn more.



Conference/Meeting Rooms



Conference/Meeting Rooms



Planes Conference Tables

The Planes large conference table is a versatile conference room table with power capability that can be configured to fit a variety of office environments. It has over fifty different combinations and its size can accommodate up to 20 people, making it the perfect modern conference table that connects people to each other while also supporting some technical applications.



Jive Conference Tables

The Jive collaborative table supports teamwork and fosters a healthy workplace through a wide range of options from small tables for the office to tables that can accommodate up to sixteen people. Jive enables a variety of postures to allow for comfortable and easy collaboration. Perfect for wherever people like to work and connect including cafes, social spaces, and collaborative meeting rooms.



Immerse

The Immerse conference room table invites intuitive collaboration in the office by creating a clean workspace with easily accessible storage. Immerse brings a new meaning to the term office conference table by adding easy built-in storage and design elements that work in both casual and professional atmospheres.



Cultivate

The Cultivate contemporary conference table addresses the practical needs of the office as a utility table with a modern twist. Cultivate's simple and highly customizable design includes many contemporary conference table styles.



Click on each of the product icons to the right to learn more.

Training Rooms



Planes Training Tables

The Planes Mobile Training table with wheels offers a wide variety of options, including a flip top training table which is easy to store compactly. This table allows for mobile training table applications and enables easy collaboration and storage.

Jive Training Tables

For dynamic applications where learning occurs, Jive® training and multipurpose tables are easy to move and reconfigure. A range of top shapes, sizes, and bases offers design freedom and comfortable solutions to help people stay focused and engaged.



Click on each of the product icons to the right to learn more.

Task Seating

Click on each of the task chairs below to learn more.



Fern

Mesh or Knit Back
Range of Adjustments
Adjustable Lumbar
Wave Suspension Back Support



Zody II

Mesh or Knit Back
Range of Adjustments
Pelvic & Asymmetrical Adj. Lumbar



Zody LX

Upholstered Back
Range of Adjustments
Adjustable Lumbar
Dual Posture Height Adjustment



Very

Mesh or Knit Back
Range of Adjustments
Asymmetrical Adj. Lumbar
Family of Chairs



Soji

Knit or Upholstered Back
Range of Adjustments
Waterfall Seat
Patented Lumbar



Soji XL

Knit or Upholstered Back
Range of Adjustments
Waterfall Seat
Patented Lumbar
Supports up to 500lbs.



Breck

Mesh Back
Range of Adjustments
Standard Adjustable Lumbar
Weight-activated synchronized tilt



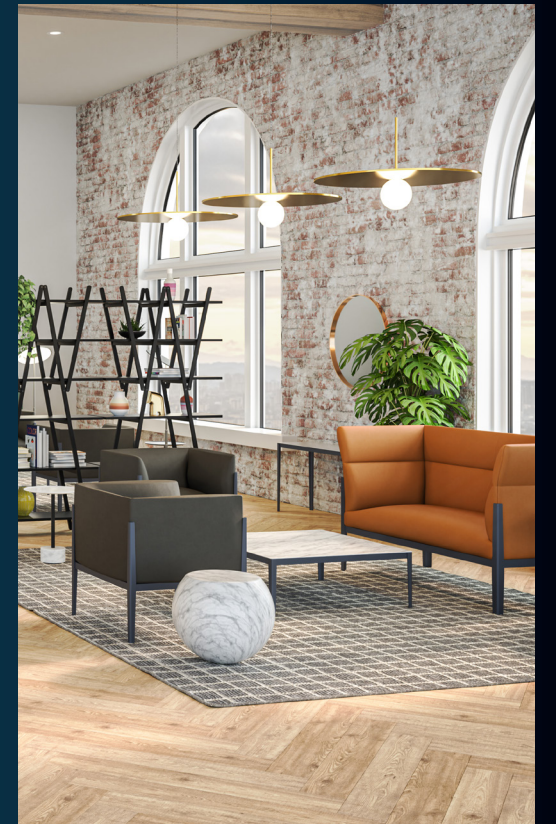
Veda

All Mesh Chair
Mid & High Back
Loop Arms

Community Spaces



Reception/Lobby



Additional Products

Click on the furniture categories below to see our other product offerings.



Guest Chairs



Lounge



Stools



Outdoor



Archival Storage



Height Adj. Tables



Occasional Tables



Booths



Accessories

ARCHITECTURAL PRODUCTS

Architectural Interiors Products

Movable Walls

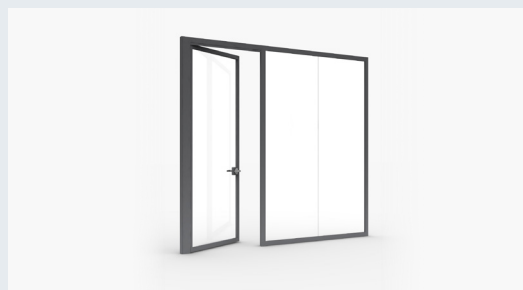
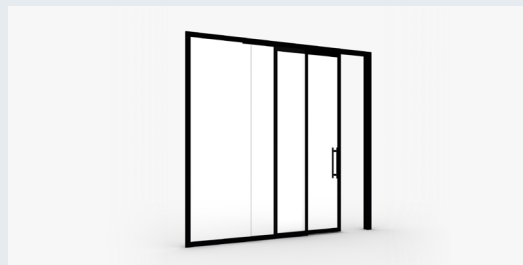


4SPACE Office Fronts

4SPACE™ fronts deliver a quiet, minimalistic design that opens space for expression. Paired with fast, easy, and reliable specification and delivery, 4SPACE fronts fit a variety of everyday installations.

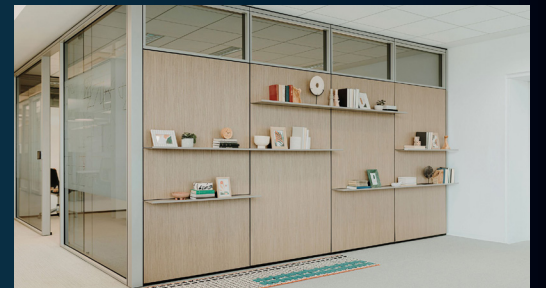
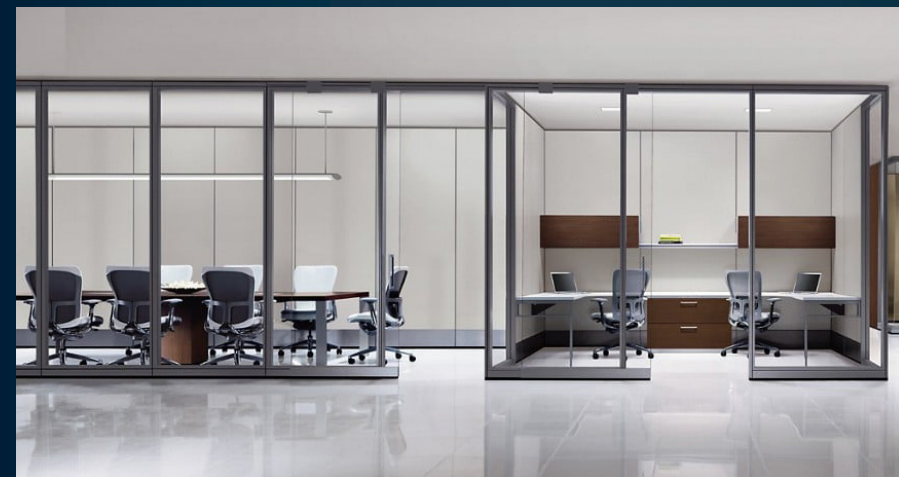
Features

- Simple, modern, single channel design
- Door options that include glass slab and framed single glazed
- Made in the U.S.A.
- 20-day or less lead time
- Consistent, predictable pricing
- Timeless color options in metallic silver and black



Architectural Interiors Products

Movable Walls



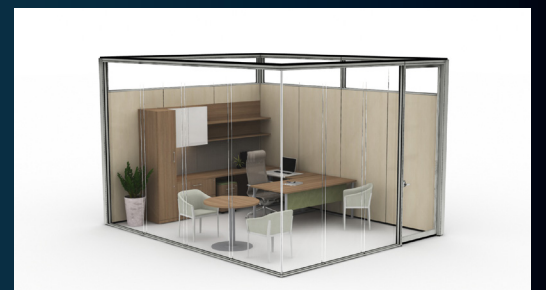
Enclose

Enclose Movable Office Walls are glass wall panels that come together easily to create movable offices that capitalize on space without sacrificing comfort, storage, or privacy. These movable glass walls also offer power and data integration.



Enclose Frameless

Enclose Frameless Glass Panels are the ideal glass office walls because they come together easily and can be quickly reconfigured. These glass mobile walls blend the beauty of frameless glass panels with mobility, resulting in a top choice for glass walls in offices. Enclose Frameless Glass 2 Channel also available.



Click on each of the product icons to the right to learn more.

Architectural Interiors Products

Trivati

Trivati is an elegant, versatile, and highly customizable architectural wall system with all the presence of permanent walls. It can be customized to meet the demands of nearly any customer, creating spaces that speak to culture while providing support for a variety of workstyles. The light, modern scale and uncomplicated beauty will elevate any environment, providing a timeless look for team and individual spaces.

Using a three channel rail, Trivati can be fitted with one, two, or three layers of vertical insert panels. This enables you to fine tune aesthetics, visual and acoustical privacy, and budget room-by-room, while providing a cohesive look within your space. Layer glass, veneer, textiles, metal, integrated lighting, and many other materials to design atmospheres that reflect distinct identities and needs for your space.



Hushoffice

Hushoffice's acoustic pod offering provides market-leading acoustics, variety, and flexibility. With the ability to offer a controlled environment within an open floor plan, Hushoffice combines the benefits of quietly working from home with the collaboration capabilities that employees desire in the workplace. Hush Office acoustic pods maximize space utilization through applications that create quiet spaces within an open floorplan.

HushPhone, HushHybrid, HushMeet are equipped with integrated casters for easy mobility to respond to changing cultures and adapt to new ways of working as the workplace evolves. HushAccess.L requires minimal disassembly to move it within the space.



HushPhone



HushHybrid



HushAccess



HushMeet

HAWORTH®