

HushFree.Access.M

Hushoffice | 2024 | Made in Poland

Overview

- Motion sensor-activated LED ceiling light with user-adjustable light brightness and temperature
- Motion sensor activated ventilation with user-adjustable fan speeds
- Powered by a single 3-prong electrical cord
- 4 specifiable interior power or data recepticals
- 2 CAT6 data recepticals
- Integrated high resolution touch screen to control pod settings, adjust lighting and airflow, and book calendar reservations
- Optional furniture, including sofas and tables
- Integrated leveling feet
- Seismic floor fixing
- 2 cutouts for sprinkler
- 2 cutouts for audio or visual alarm
- Optional vesa monitor mount on center or side columns
- No threshold, allowing for wheelchair access

Surfaces

Case Exterior TFL

- Cosmos Grey (HOL-AGC)
- White (HOL-ABB)

Case Interior Fabric

- Gabriel Athlon Plus (HAP)

Rear Glass

- Clear (HOG-PRZ)

Door Glass

- Clear (HOG-PRZ)

Table Laminate Grade A

- White (HFL-ABB)

Table Laminate Grade B

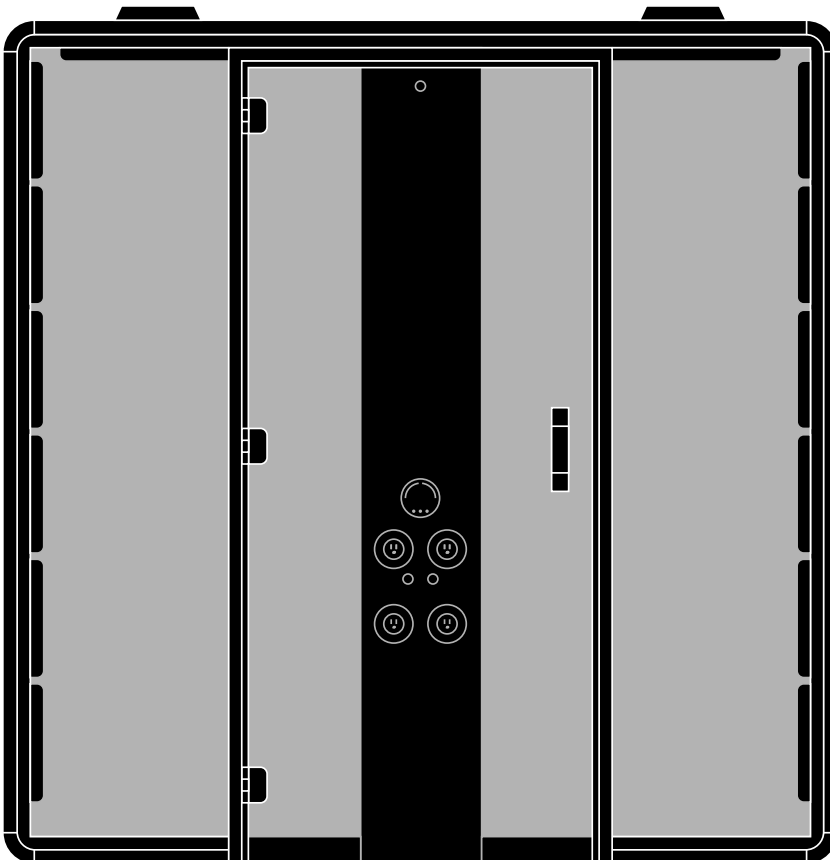
- Velvet Black (HFL-ABA)

Sofa Seat Fabric

- Gabriel Athlon (HA)

Sofa Backrest Fabric

- Dark Grey (HA-DKG)
- Light Grey (HA-LTG)

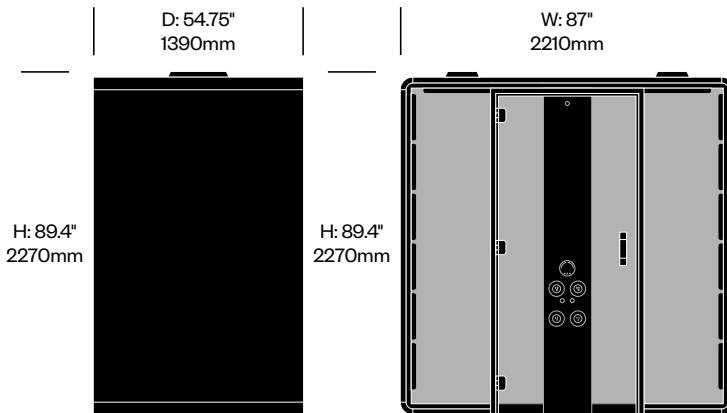


HushFree.Access.M

Hushoffice | 2024 | Made in Poland

To order, specify:

1. Product number, including
 - 1** Monitor bracket selection
 - N** No monitor brackets
 - C** Center column monitor bracket (add \$400.00 list)
 - 2** Center column data and power (top row)
 - 1** Left with power socket, right with power socket
 - 2** Left with power socket, right with USB-A and USB-C (add \$500.00 list)
 - 3** Left with power socket, right with HDMI (add \$140.00 list)
 - 3** Center column data and power (bottom row)
 - N** No power specification
 - 1** Left with power socket, right with power socket (add \$500.00 list)
 - 2** Left with power socket, right with USB-A and USB-C (add \$1,000.00 list)
 - 3** Left with power socket, right with HDMI (add \$640.00 list)
 - 4** Door handedness
 - L** Left handed
 - R** Right handed
2. Case exterior TFL color
3. Case interior fabric and color
4. Rear glass color
5. Door glass color



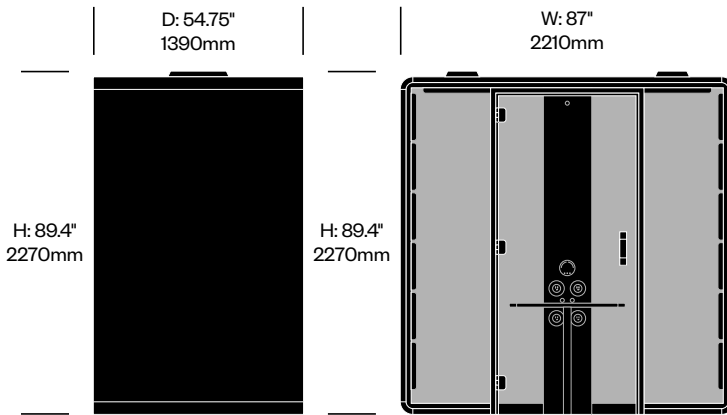
Acoustic Pod	Number	1 2 3 4	List Price
	HCHO-MAP4-NN	- - - - N	32,450.00

HushFree.Access.M

Hushoffice | 2024 | Made in Poland

To order, specify:

1. Product number, including
 - 1** Monitor bracket selection
 - N No monitor brackets
 - C Center column monitor bracket (add \$400.00 list)
 - 2** Center column data and power (top row)
 - 1 Left with power socket, right with power socket
 - 2 Left with power socket, right with USB-A and USB-C (add \$500.00 list)
 - 3 Left with power socket, right with HDMI (add \$140.00 list)
 - 3** Center column data and power (bottom row)
 - N No power specification
 - 1 Left with power socket, right with power socket (add \$500.00 list)
 - 2 Left with power socket, right with USB-A and USB-C (add \$1,000.00 list)
 - 3 Left with power socket, right with HDMI (add \$640.00 list)
 - 4** Door handedness
 - L Left handed
 - R Right handed
2. Case exterior TFL color
3. Case interior fabric and color
4. Rear glass color
5. Door glass color
6. Table laminate color



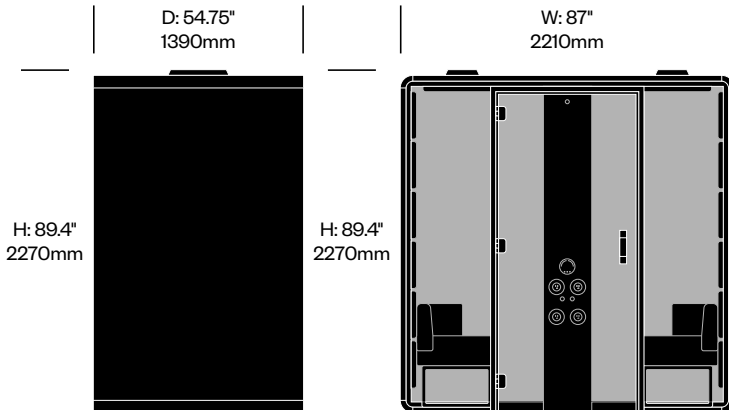
Acoustic Pod with Table	Number	1 2 3 4	List Price
Laminate Grade A	HCHO-MAP4-TN	■ - ■ - ■ - ■ N	33,075.00
Laminate Grade B	HCHO-MAP4-TN	■ - ■ - ■ - ■ N	33,200.00

HushFree.Access.M

Hushoffice | 2024 | Made in Poland

To order, specify:

1. Product number, including
 - 1 Monitor bracket selection
 - N No monitor brackets
 - C Center column monitor bracket (add \$400.00 list)
 - 2 Center column data and power (top row)
 - 1 Left with power socket, right with power socket
 - 2 Left with power socket, right with USB-A and USB-C (add \$500.00 list)
 - 3 Left with power socket, right with HDMI (add \$140.00 list)
 - 3 Center column data and power (bottom row)
 - N No power specification
 - 1 Left with power socket, right with power socket (add \$500.00 list)
 - 2 Left with power socket, right with USB-A and USB-C (add \$1,000.00 list)
 - 3 Left with power socket, right with HDMI (add \$640.00 list)
 - 4 Door handedness
 - L Left handed
 - R Right handed
2. Case exterior TFL color
3. Case interior fabric and color
4. Rear glass color
5. Door glass color
6. Sofas seat fabric color
7. Sofas backrest fabric color



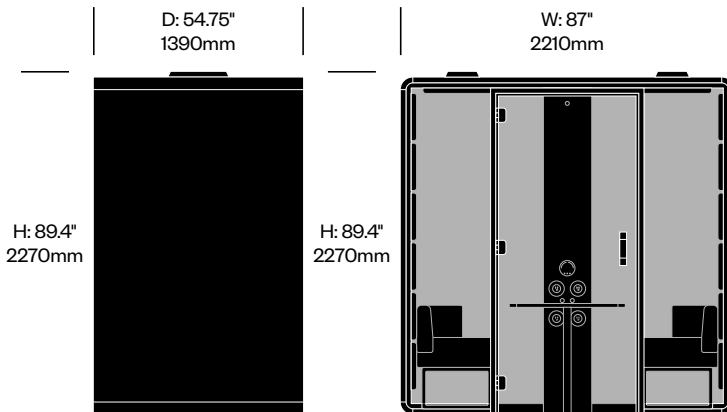
Acoustic Pod with 2 Sofas	Number	<input type="checkbox"/> <input type="checkbox"/> <input type="checkbox"/> <input type="checkbox"/>	List Price
	HCHO-MAP4-N2	- - - N	36,750.00

HushFree.Access.M

Hushoffice | 2024 | Made in Poland

To order, specify:

1. Product number, including
 - 1** Monitor bracket selection
 - N No monitor brackets
 - C Center column monitor bracket (add \$400.00 list)
 - 2** Center column data and power (top row)
 - 1 Left with power socket, right with power socket
 - 2 Left with power socket, right with USB-A and USB-C (add \$500.00 list)
 - 3 Left with power socket, right with HDMI (add \$140.00 list)
 - 3** Center column data and power (bottom row)
 - N No power specification
 - 1 Left with power socket, right with power socket (add \$500.00 list)
 - 2 Left with power socket, right with USB-A and USB-C (add \$1,000.00 list)
 - 3 Left with power socket, right with HDMI (add \$640.00 list)
 - 4** Door handedness
 - L Left handed
 - R Right handed
2. Case exterior TFL color
3. Case interior fabric and color
4. Rear glass color
5. Door glass color
6. Table laminate color
7. Sofas seat fabric color
8. Sofas backrest fabric color



Acoustic Pod with Table and 2 Sofas	Number	1 2 3 4	List Price
Laminate Grade A	HCHO-MAP4-T2	■ - ■ - ■ - N	37,375.00
Laminate Grade B	HCHO-MAP4-T2	■ - ■ - ■ - N	37,500.00

HushFree.Access.M

Hushoffice | 2024 | Made in Poland

To order, specify:

1. Product number
2. Laminate color



Table	Number	List Price
Laminate Grade A	HCHO-AMMT	720.00
Laminate Grade B	HCHO-AMMT	845.00

To order, specify:

1. Product number
2. Seat fabric and color
3. Backrest fabric and color



Sofa with Left Arm	Number	List Price
Fabric	HCHO-FAMS-L	1,960.00



Sofa with Right Arm	Number	List Price
Fabric	HCHO-FAMS-R	1,960.00

HushFree.Access.M

Hushoffice | 2024 | Made in Poland

To order, specify:

1. Product number

Occupancy Light	Number	List Price
	HCHO-FAQQ	580.00

Center Monitor Mount	Number	List Price
	HCHO-FACM	460.00

Door Limiter	Number	List Price
Set of 2	HCHO-DRR1	150.00