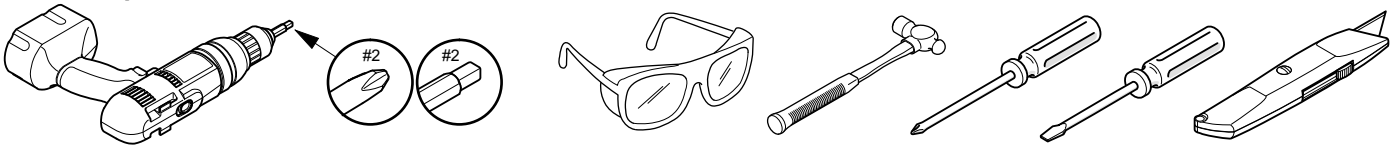




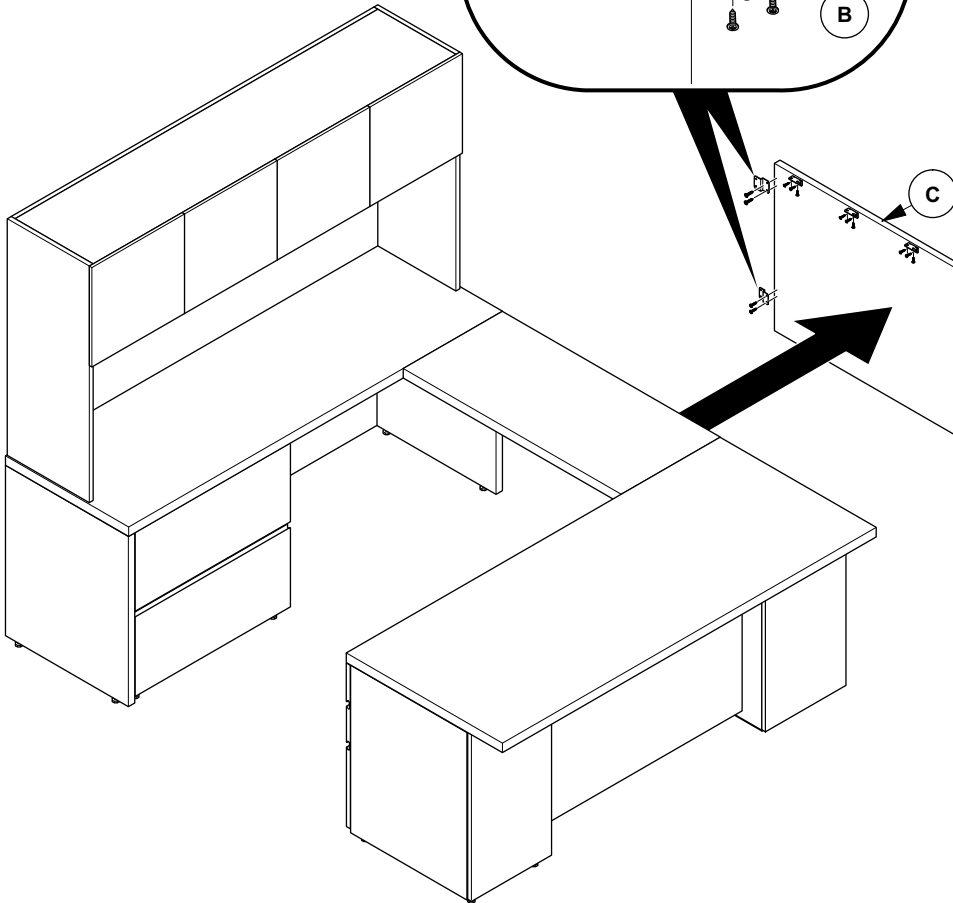
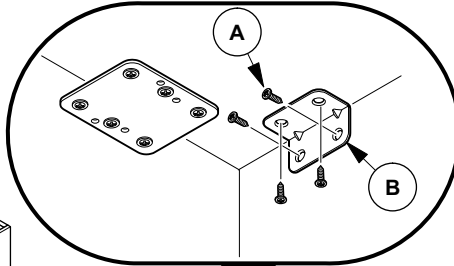
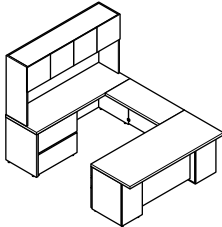
# MASTERS/TRIPOLI/VANCOUVER

## Typical Systems Workstation Disassembly & Recycling Instructions

### Tools Required



1



**RECYCLE BINS**

**STEEL**

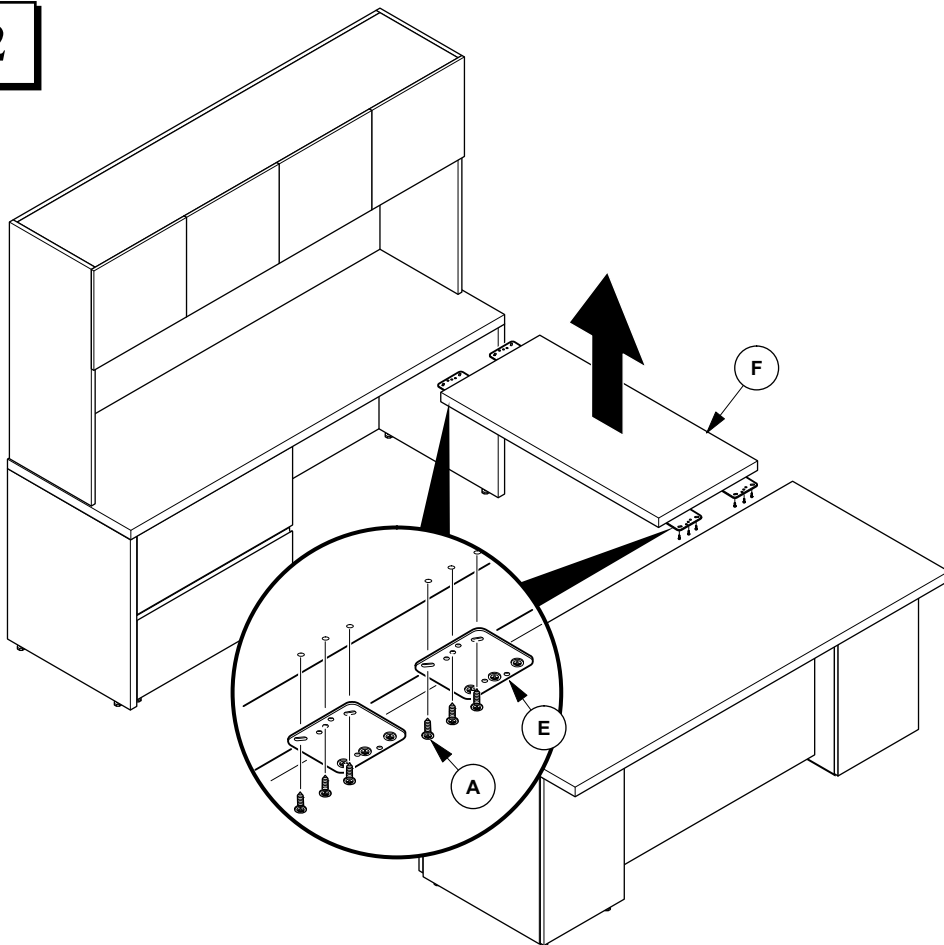
**RECYCLE BINS**

**WOOD/LAMINATE**

CUSTOMER SERVICE PHONE: 1-800-426-8562

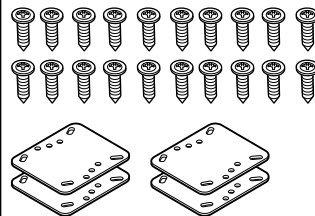
**HAWORTH®**

2

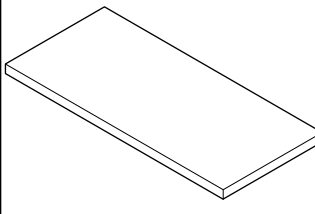


RECYCLE BINS

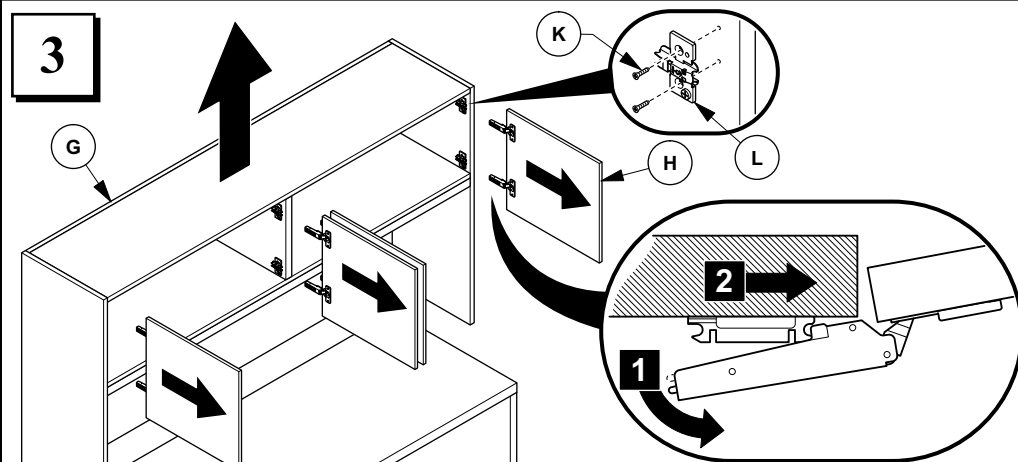
STEEL



WOOD/LAMINATE

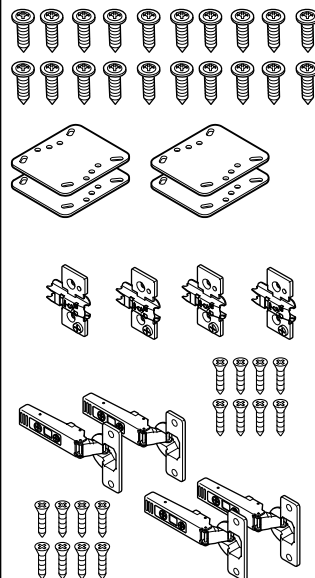


3

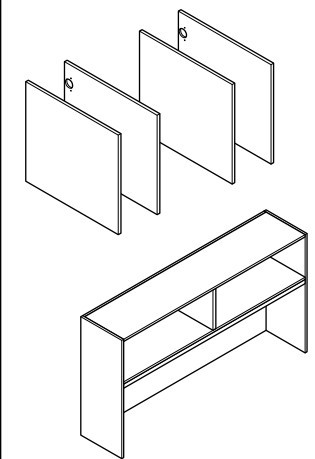


RECYCLE BINS

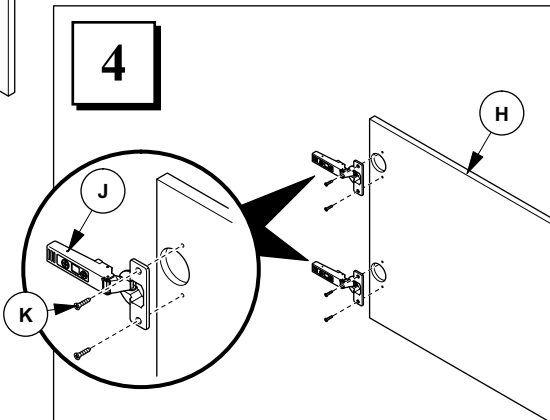
STEEL



WOOD/LAMINATE

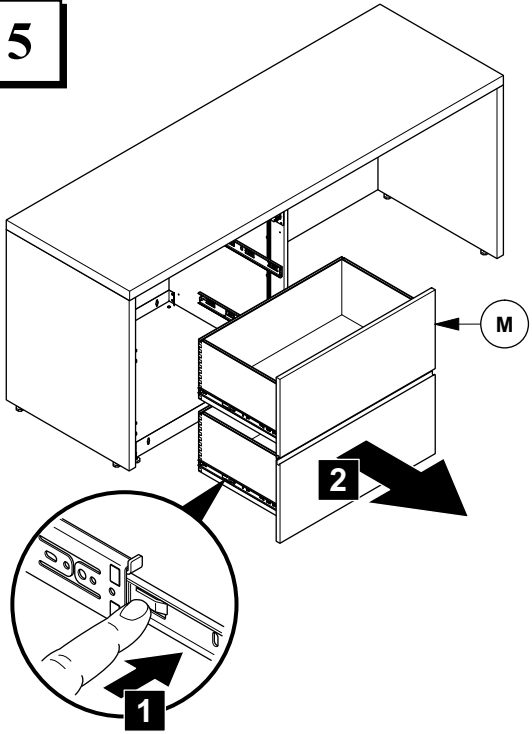


4

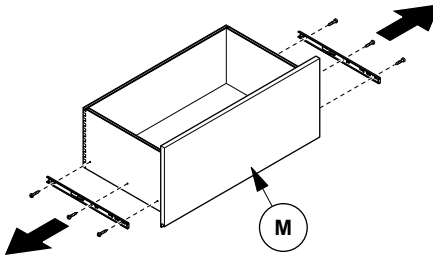


CUSTOMER SERVICE PHONE: 1-800-426-8562

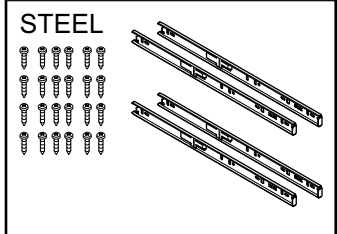
5



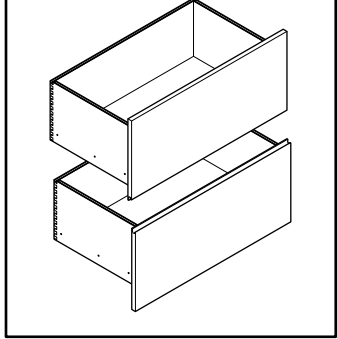
6



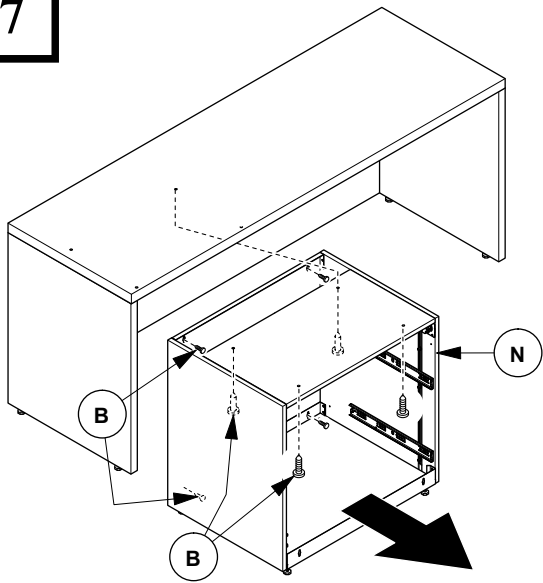
RECYCLE BINS



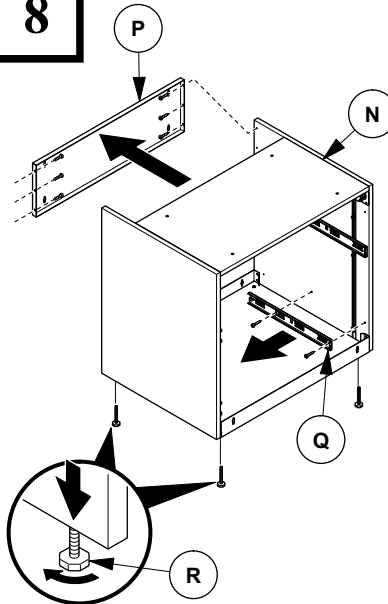
WOOD/LAMINATE



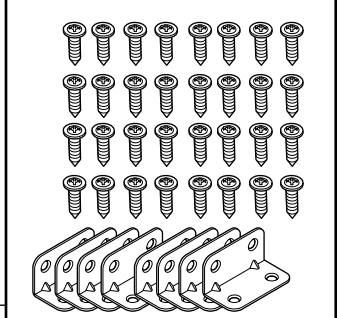
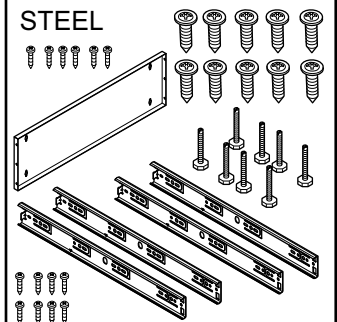
7



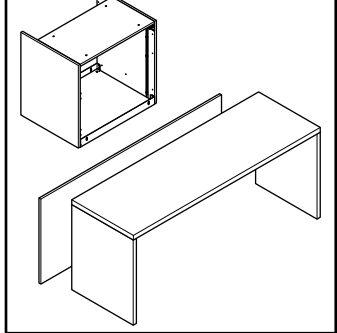
8



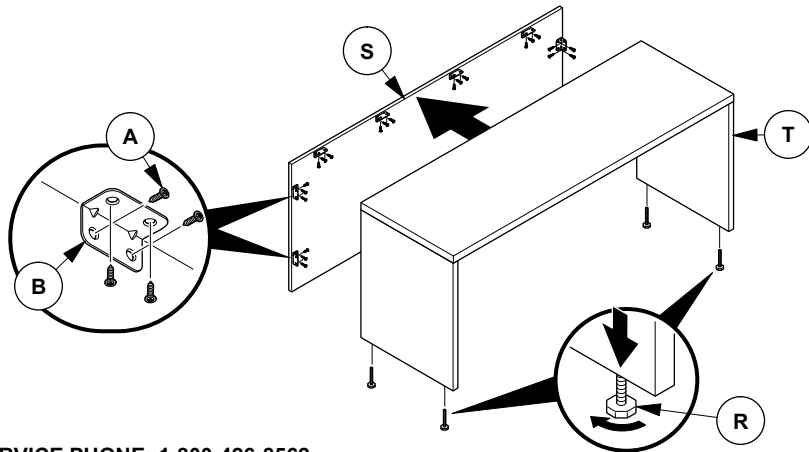
RECYCLE BINS



WOOD/LAMINATE



9

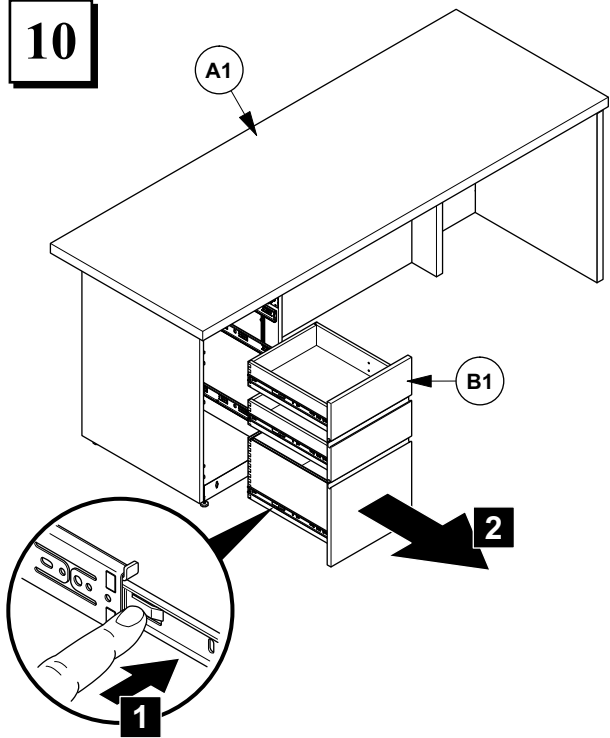


CUSTOMER SERVICE PHONE: 1-800-426-8562

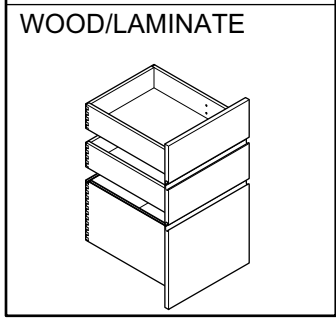
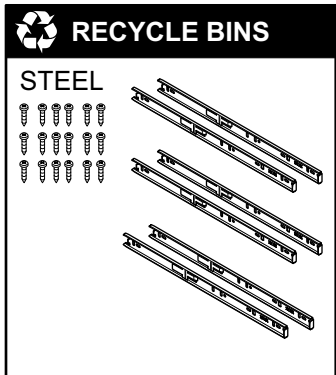
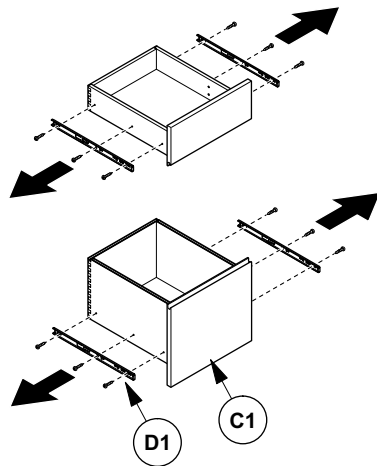
HAWORTH®

Page: 3 OF 4

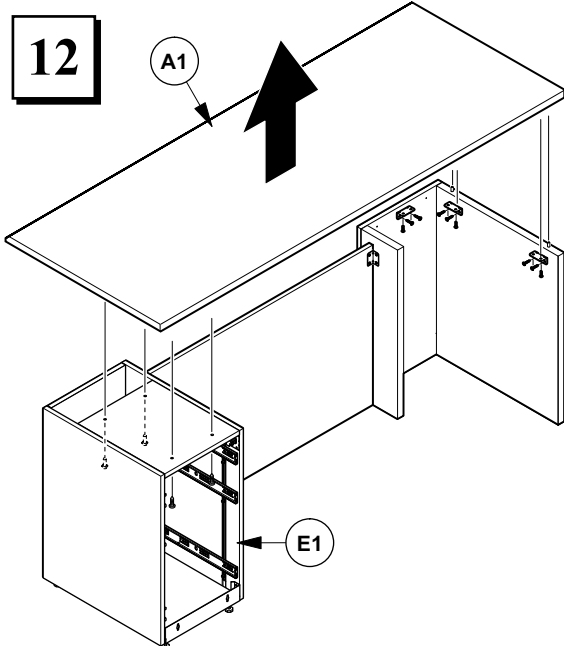
10



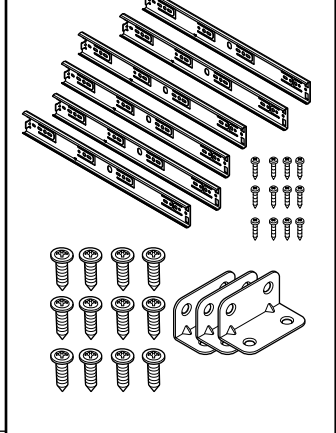
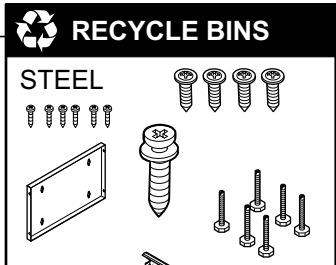
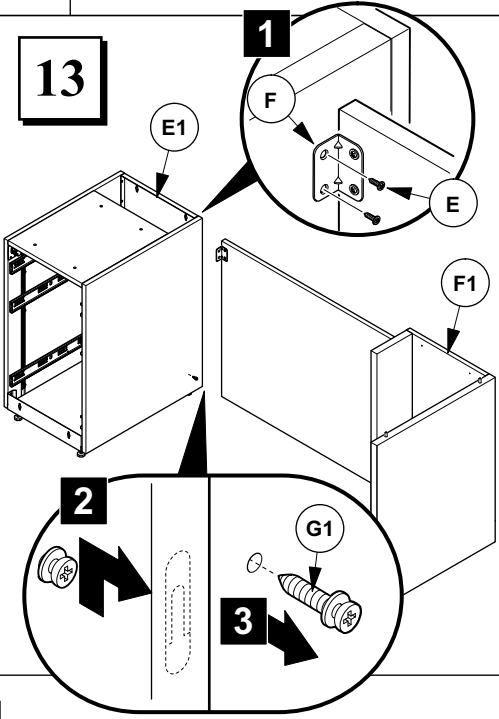
11



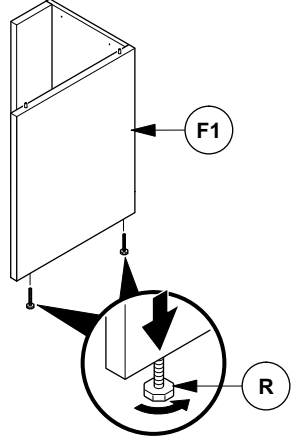
12



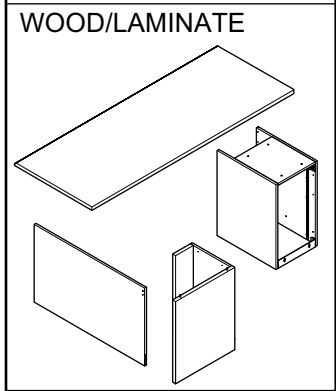
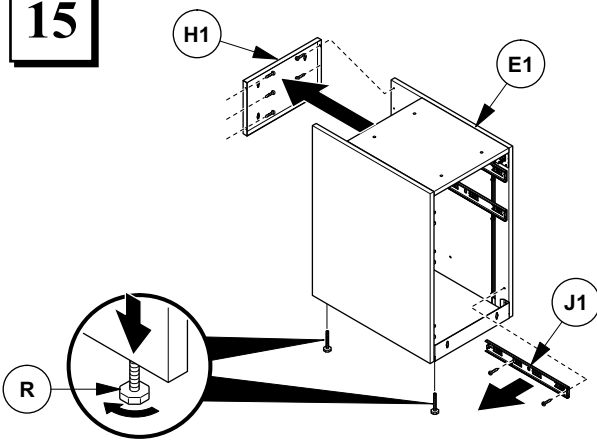
13



14



15



CUSTOMER SERVICE PHONE: 1-800-426-8562

**HAWORTH®**