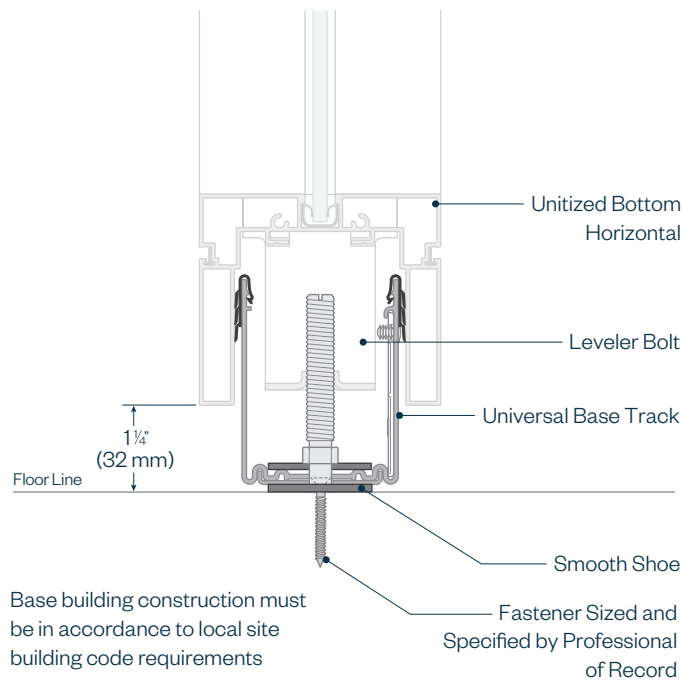


HAWORTH

Haworth Walls Architectural Details

Lateral Bracing-Hard Floor



Details for lateral bracing are shown as a guide and are not project specific. It is the responsibility of the engineer of record to determine appropriate interpretation/application of information provided in these drawings based on project requirements.