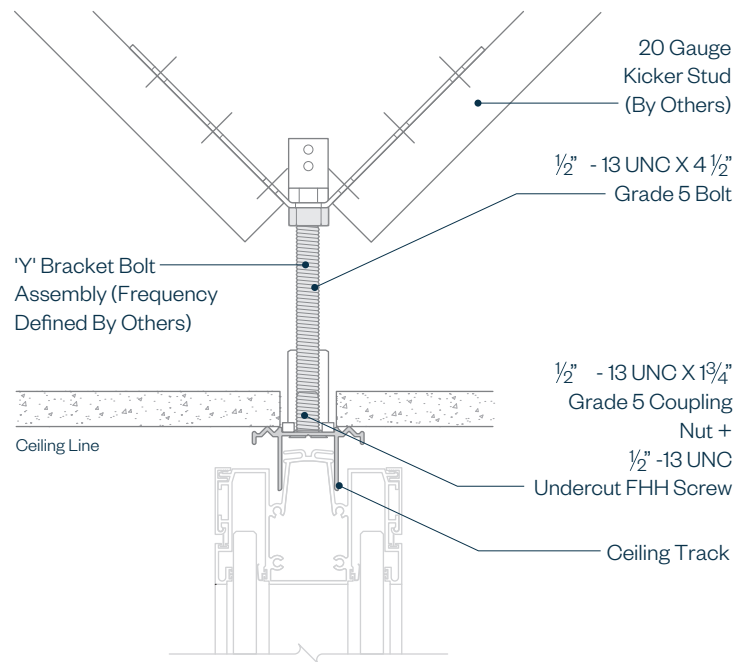


HAWORTH

# Haworth Walls Architectural Details

## Lateral Bracing - Ceiling with Kicker Studs



Base building construction must  
be in accordance to local site  
building code requirements

Details for lateral bracing are shown as a  
guide and are not project specific. It is the  
responsibility of the engineer of record to  
determine appropriate interpretation/application  
of information provided in these drawings  
based on project requirements.