

HAWORTH

Enclose & EFG Architectural Details

Panel Types

- o 2 Channel Enclose Frameless Glass Double Glazed
- o 2 Channel Enclose Frameless Glass Offset Glazed
- o Enclose Frameless Glass
- o Enclose Frameless Glass Stack
- o Enclose Glass Panel
- o Enclose Solid Panel
- o Enclose Glass Panel with Muntins
- o Enclose Clerestory
- o Enclose Combi Panel with Transom
- o Enclose Glass Stack
- o Enclose Solid Stack

Doors

- o Enclose Frameless Glass Double Glazed Pivot Door
- o Enclose Frameless Glass Slab Sliding Door
- o Enclose Frameless Glass Slab Pivot Door
- o Enclose Frameless Glass Aluminum Glazed Sliding Door
- o Enclose Frameless Glass Aluminum Glazed Butt-Hinge Door
- o Enclose Glass Slab Sliding Door
- o Enclose Glass Slab Pivot Door
- o Enclose Aluminum Glazed Sliding Door
- o Enclose Aluminum Glazed Butt-Hinge Door
- o Enclose Wood Butt-Hinge Door
- o Enclose Glass Slab Pivot Door with Glass Transom

Starters

- o Starter - Compressible 2 Channel Enclose Frameless Glass
- o Starter - Compressible Enclose Frameless Glass
- o Starter - Compressible Enclose Glass
- o Starter - Compressible Enclose Solid
- o Starter - Low Profile
- o Starter - Adjustable
- o Starter - Enclose Cuttable
- o Starter - Mullion Expandable Cladding
- o Starter - Hardwall Expandable Cladding
- o Starter - Center Chamfer
- o Starter - Flush Flyby

Enclose & EFG Architectural Details

Floor and Ceiling Typicals

- o Enclose Frameless Glass Ceiling Connection - Tile
- o Enclose Frameless Glass Ceiling Connection - Drywall
- o Enclose Ceiling Connection - Tile
- o Enclose Ceiling Connection - Drywall
- o 2 Channel Enclose Frameless Glass Floor Connection
- o Enclose Frameless Glass Floor Connection
- o Enclose Glass Panel Floor Connection - Carpet
- o Enclose Glass Panel Floor Connection - Hard
- o Enclose Solid Panel Floor Connection - Carpet
- o Enclose Freestanding
- o Enclose Freestanding - Chinook

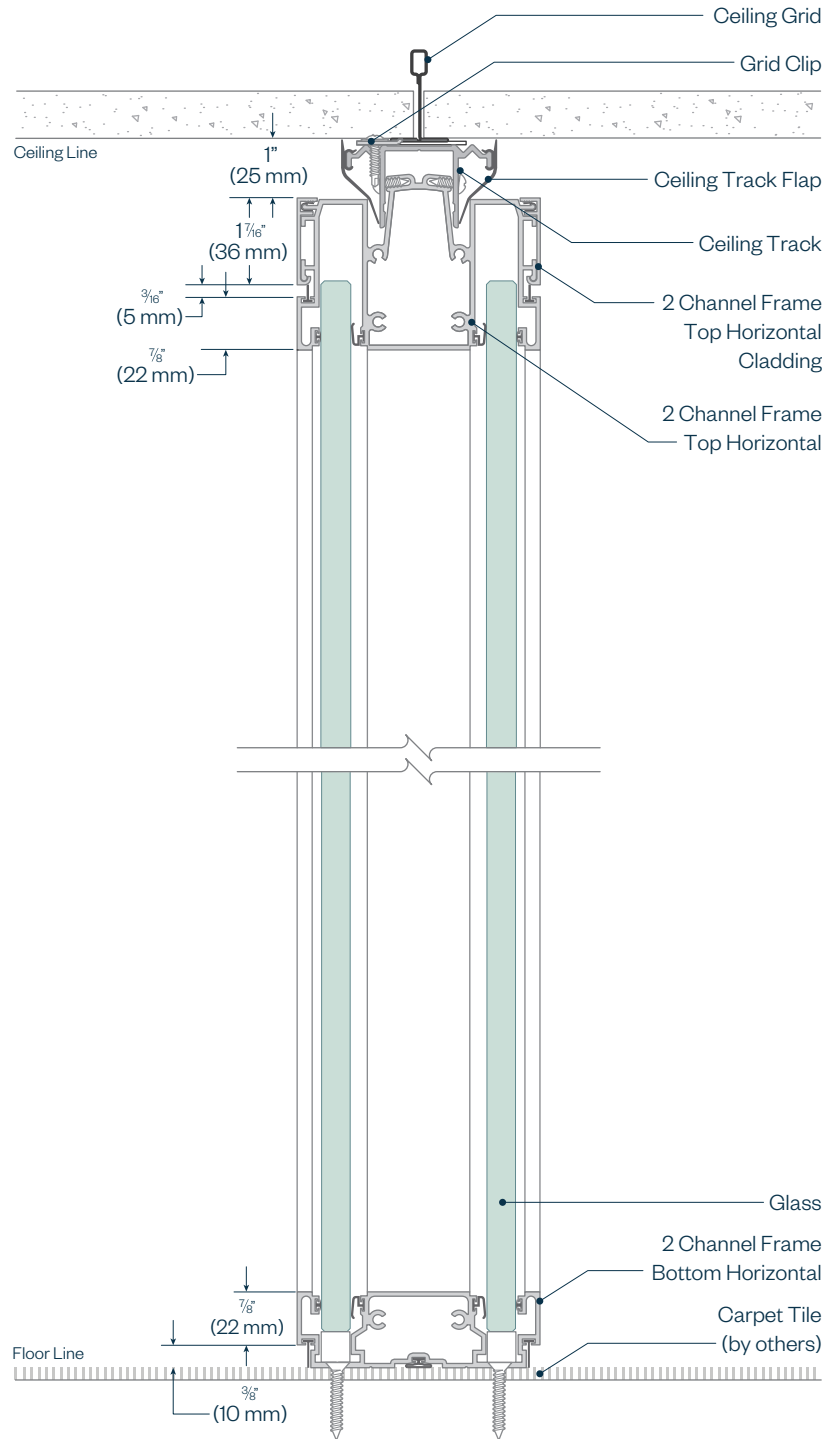
Lateral Bracing

- o Lateral Bracing - Ceiling with Wire Ties Only
- o Lateral Bracing - Ceiling with Kicker Studs
- o Lateral Bracing - Ceiling with Compression Strut
- o Lateral Bracing - Carpet
- o Lateral Bracing - Hard Floor
- o Lateral Bracing - Compressible Starter

HAWORTH

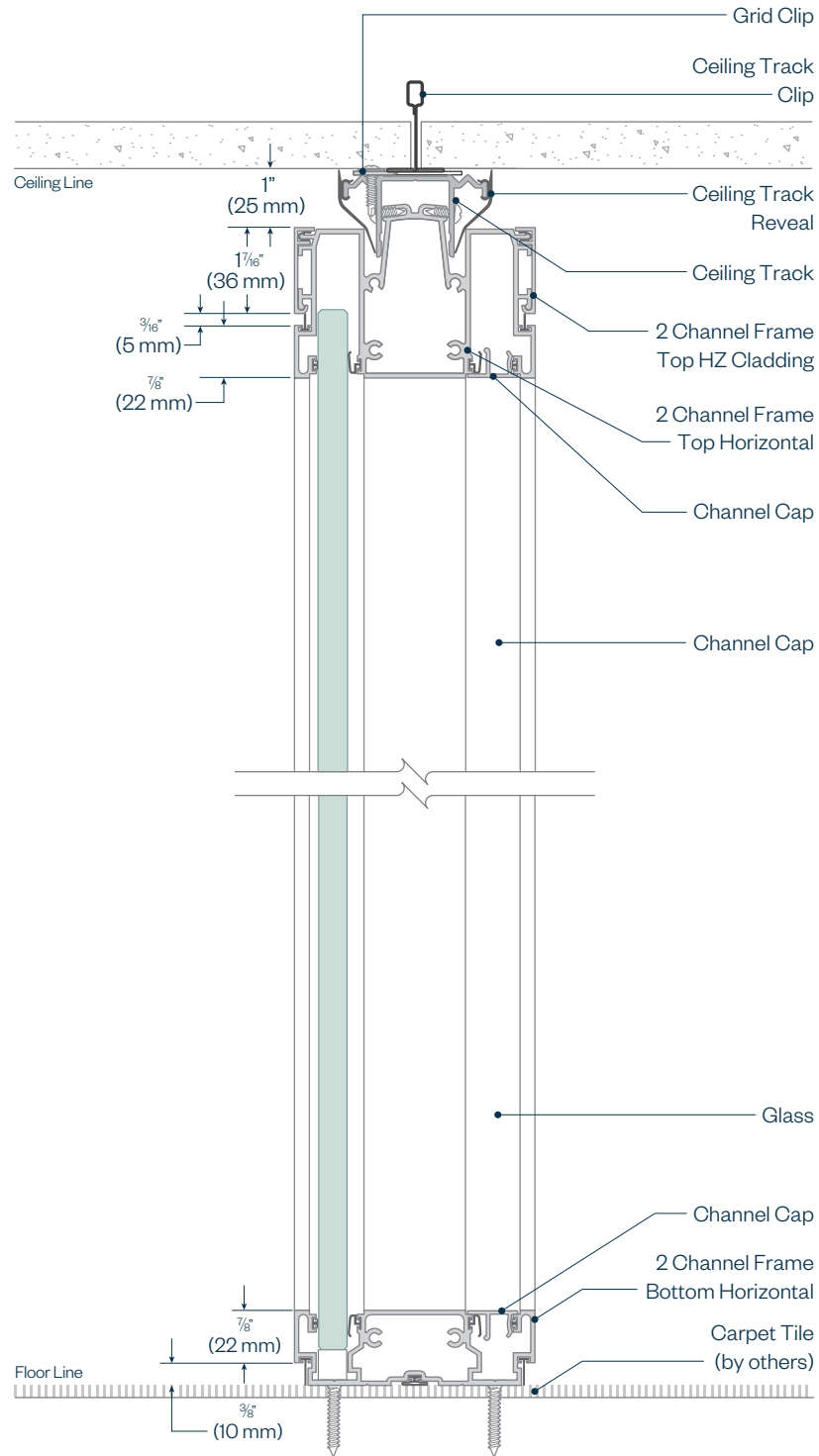
Enclose & EFG Architectural Details

2 Channel Enclose Frameless Glass Double Glazed



Enclose & EFG Architectural Details

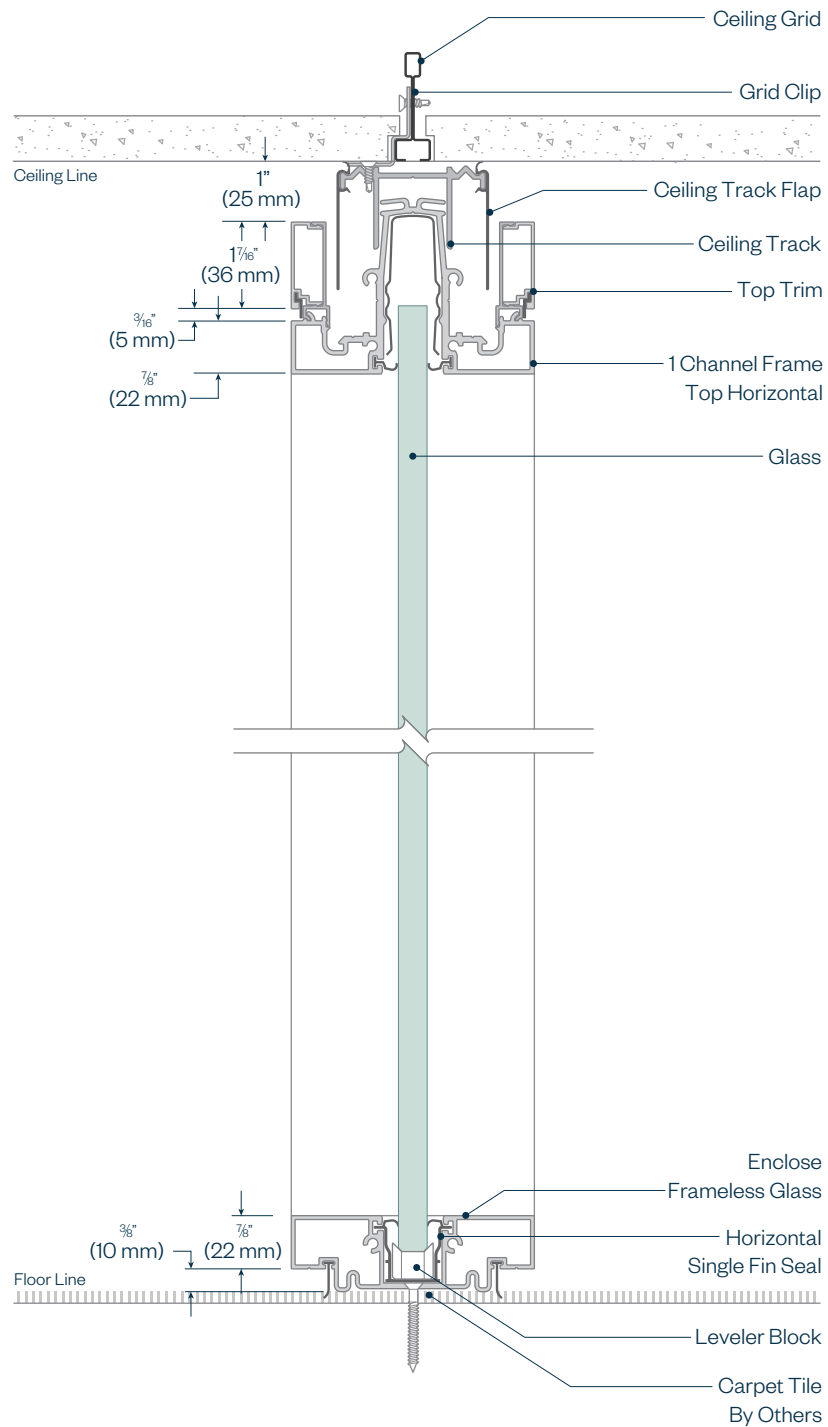
2 Channel Enclose Frameless Glass Offset Glazed



HAWORTH

Enclose & EFG Architectural Details

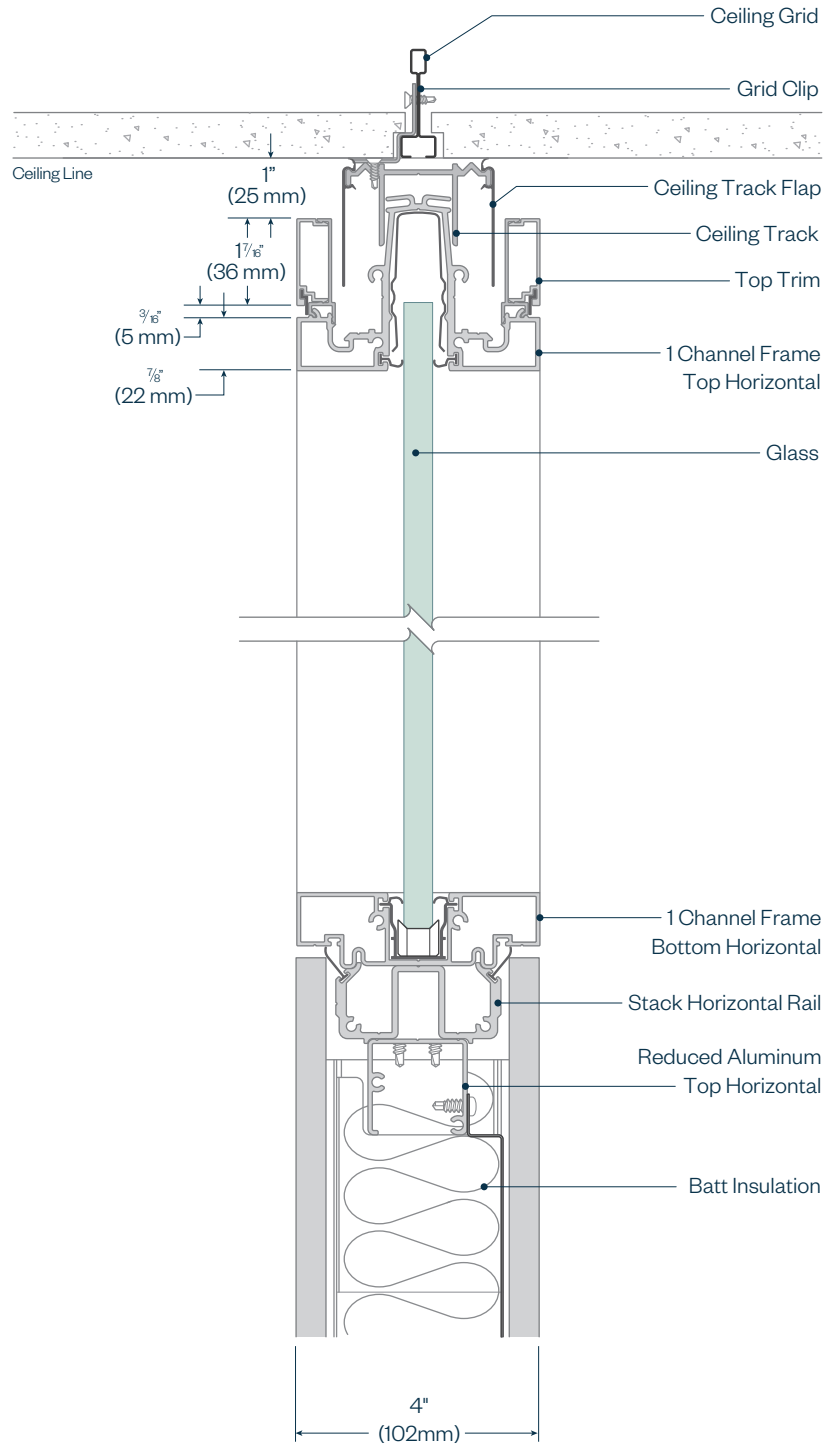
Enclose Frameless Glass



HAWORTH

Enclose & EFG Architectural Details

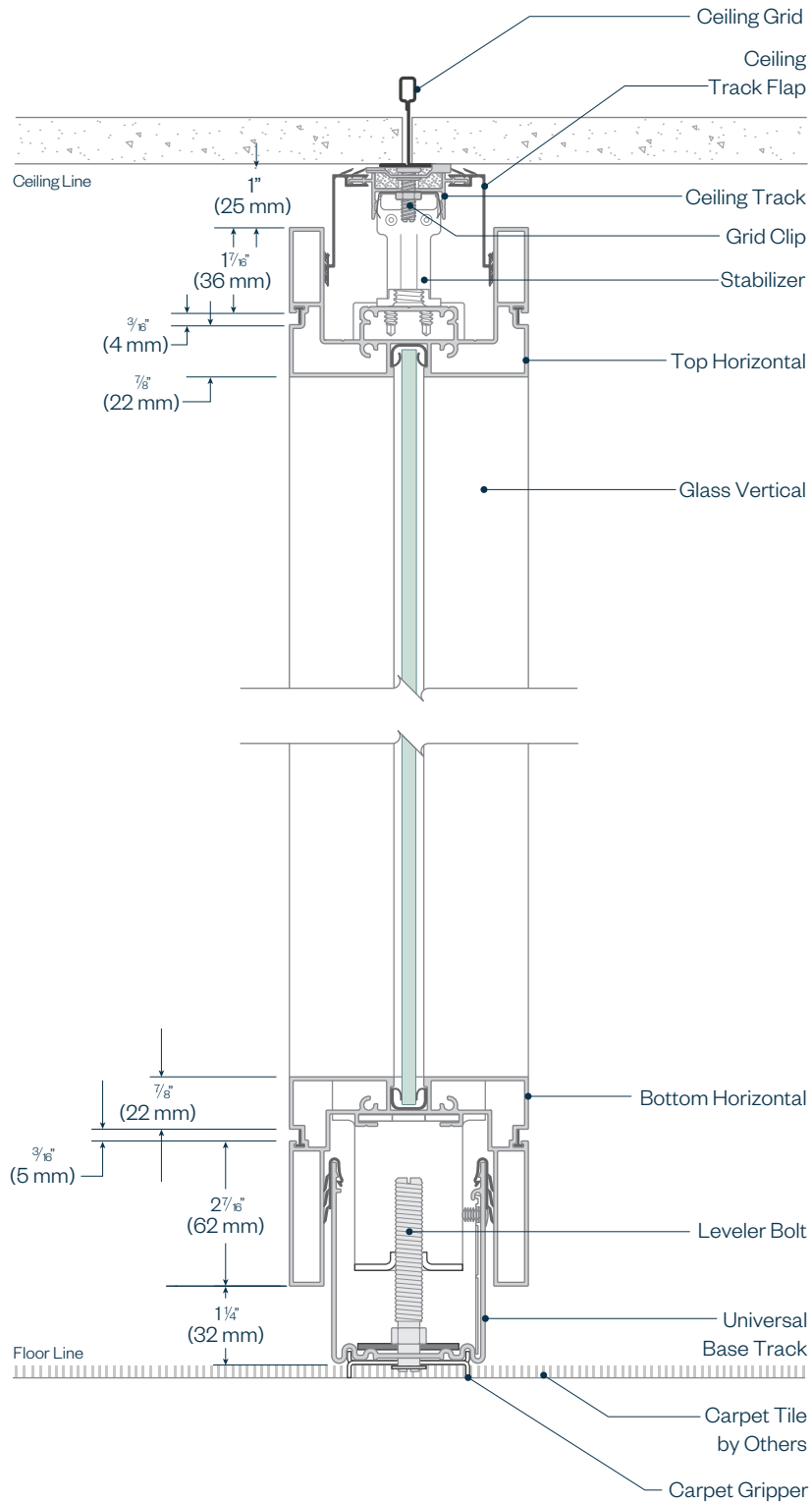
Enclose Frameless Glass Stack



HAWORTH

Enclose & EFG Architectural Details

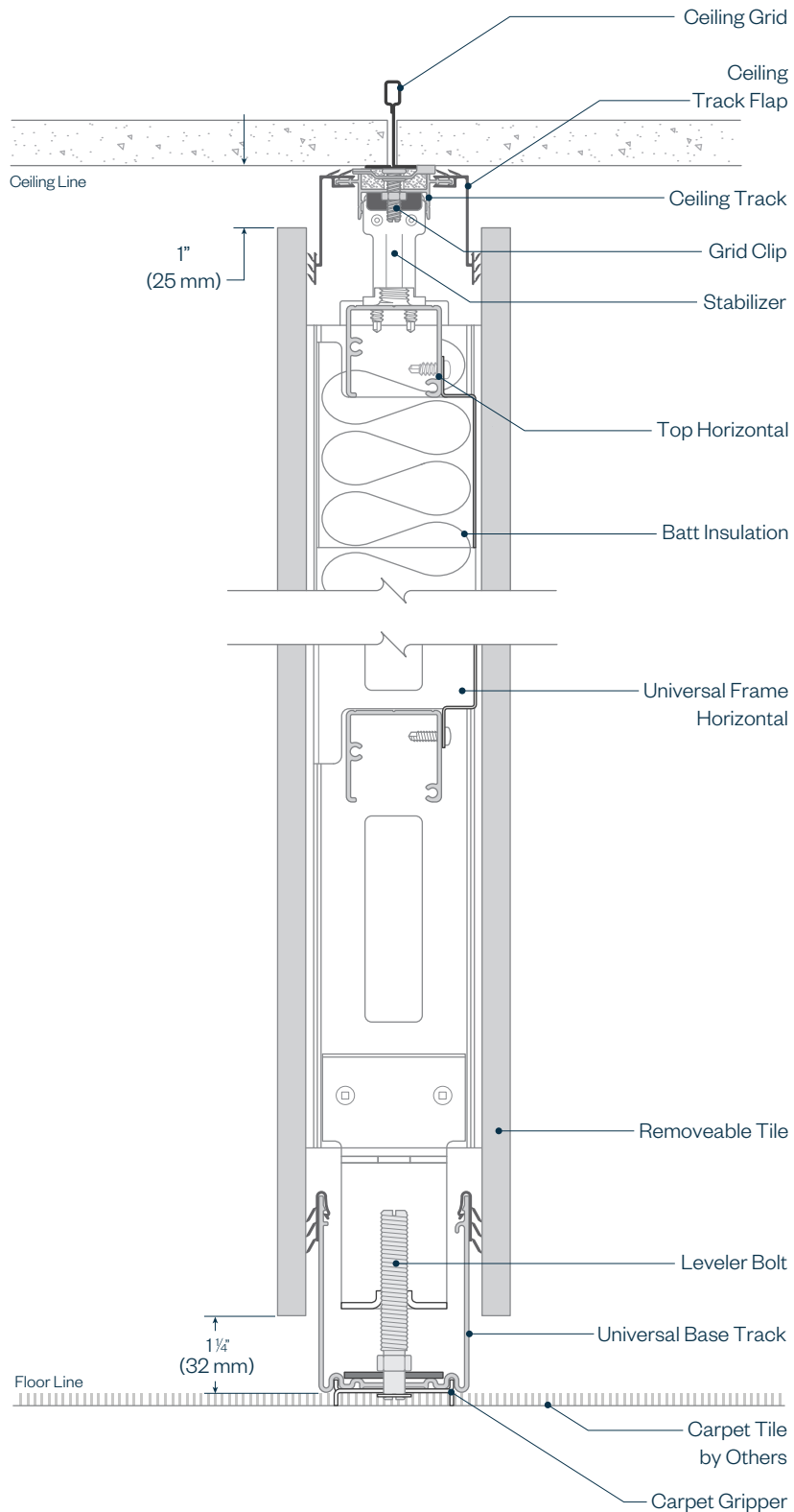
Enclose Glass Panel



HAWORTH

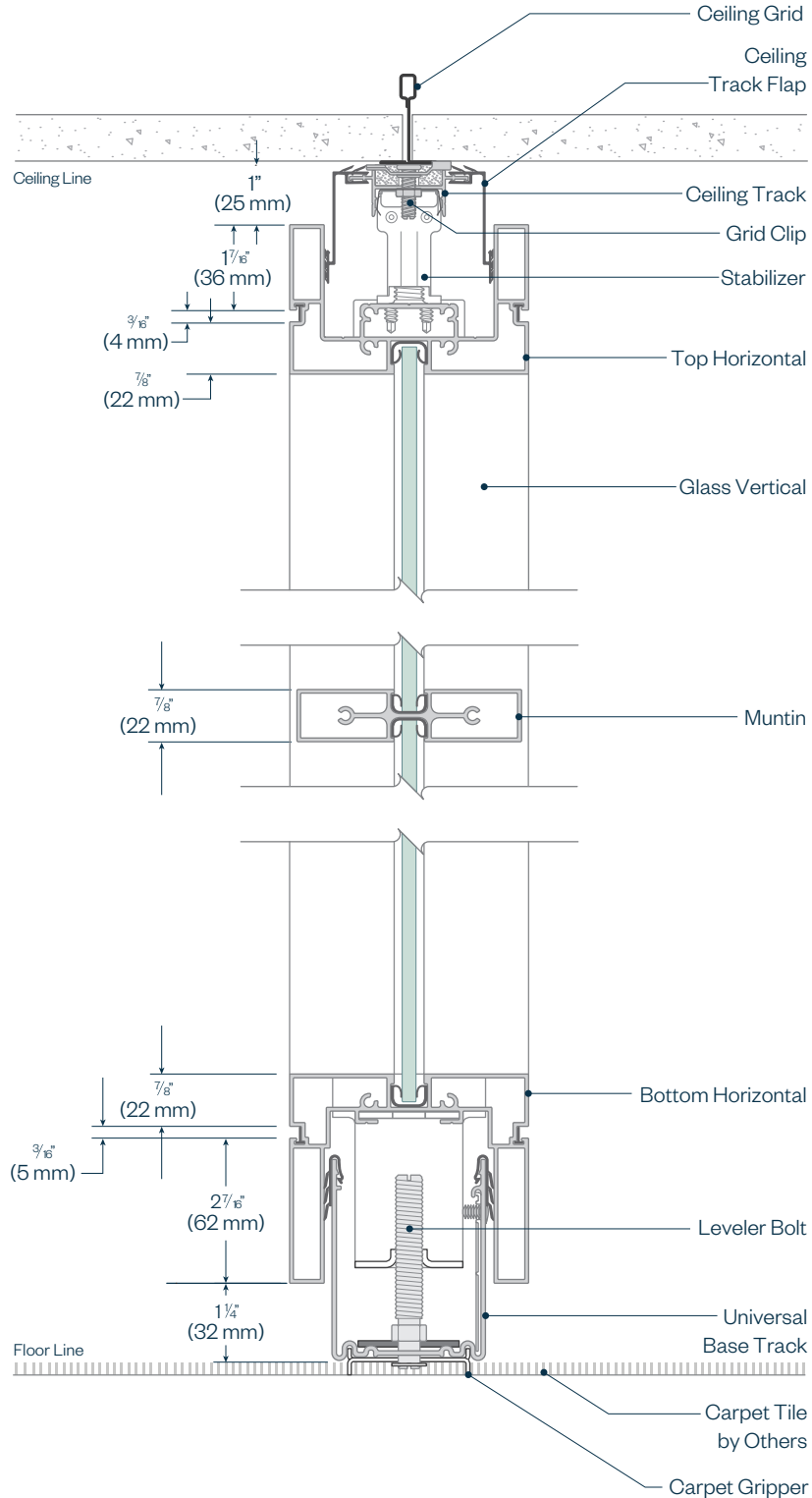
Enclose & EFG Architectural Details

Enclose Solid Panel



Enclose & EFG Architectural Details

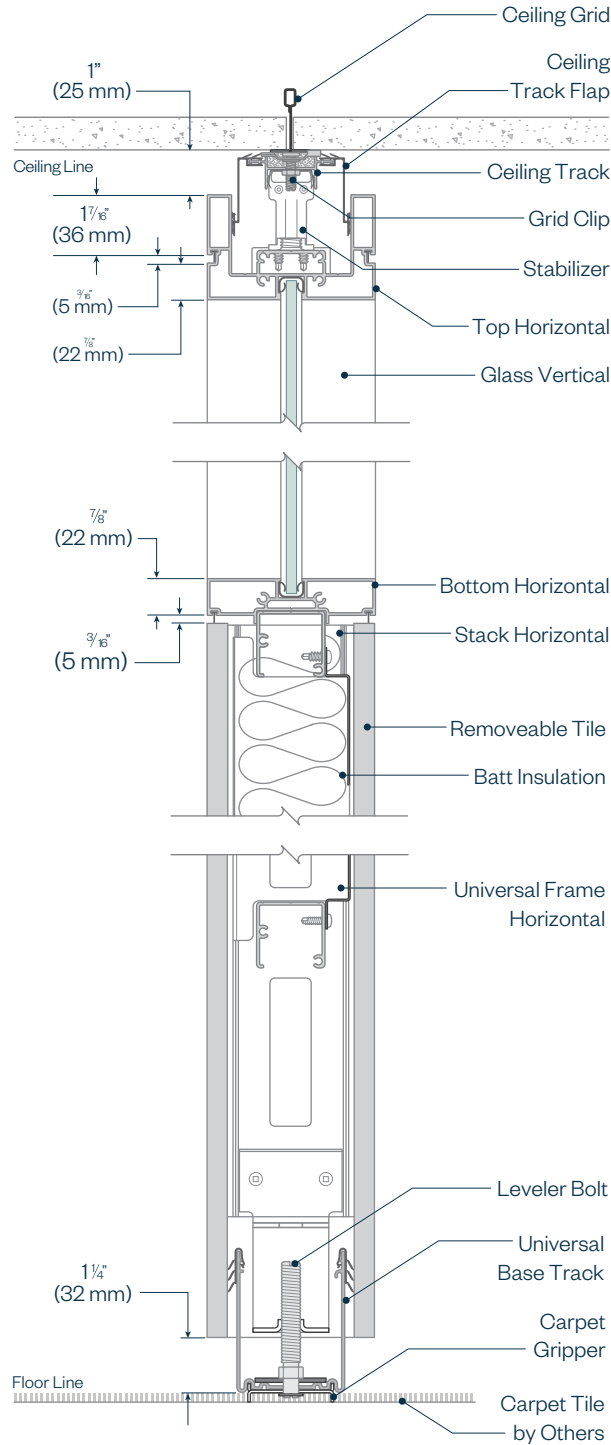
Enclose Glass Panel with Muntins



HAWORTH

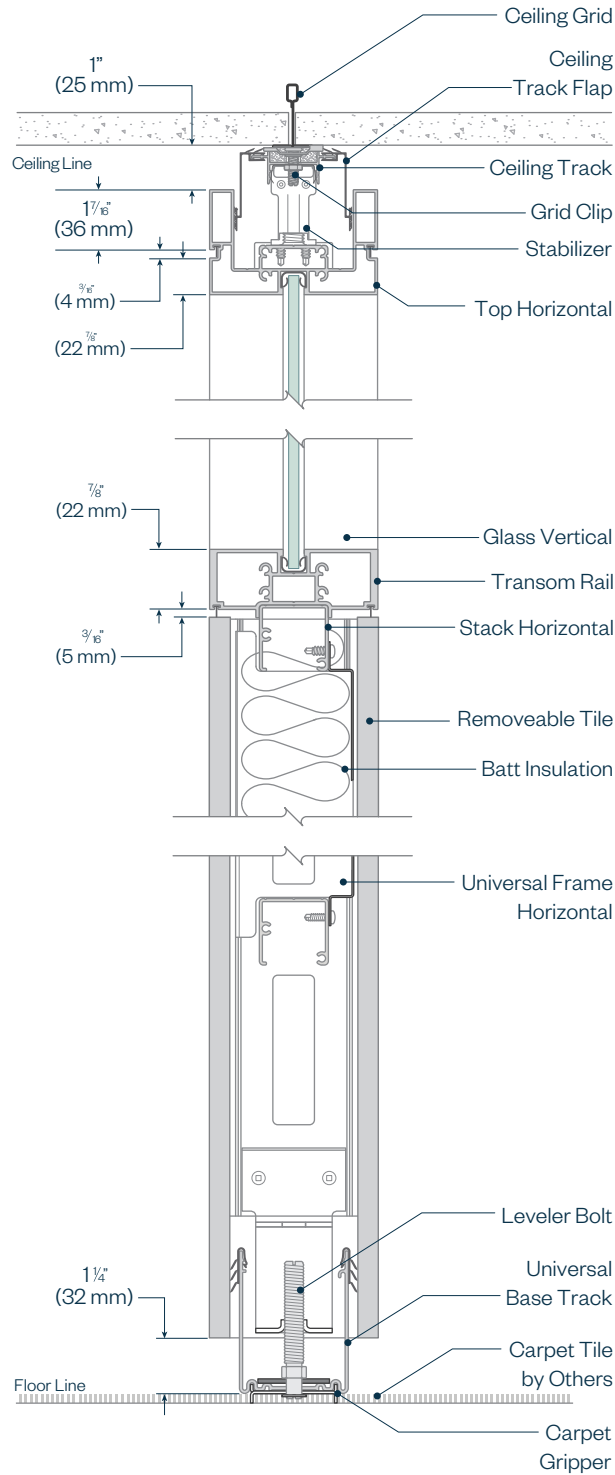
Enclose & EFG Architectural Details

Enclose Clerestory



Enclose & EFG Architectural Details

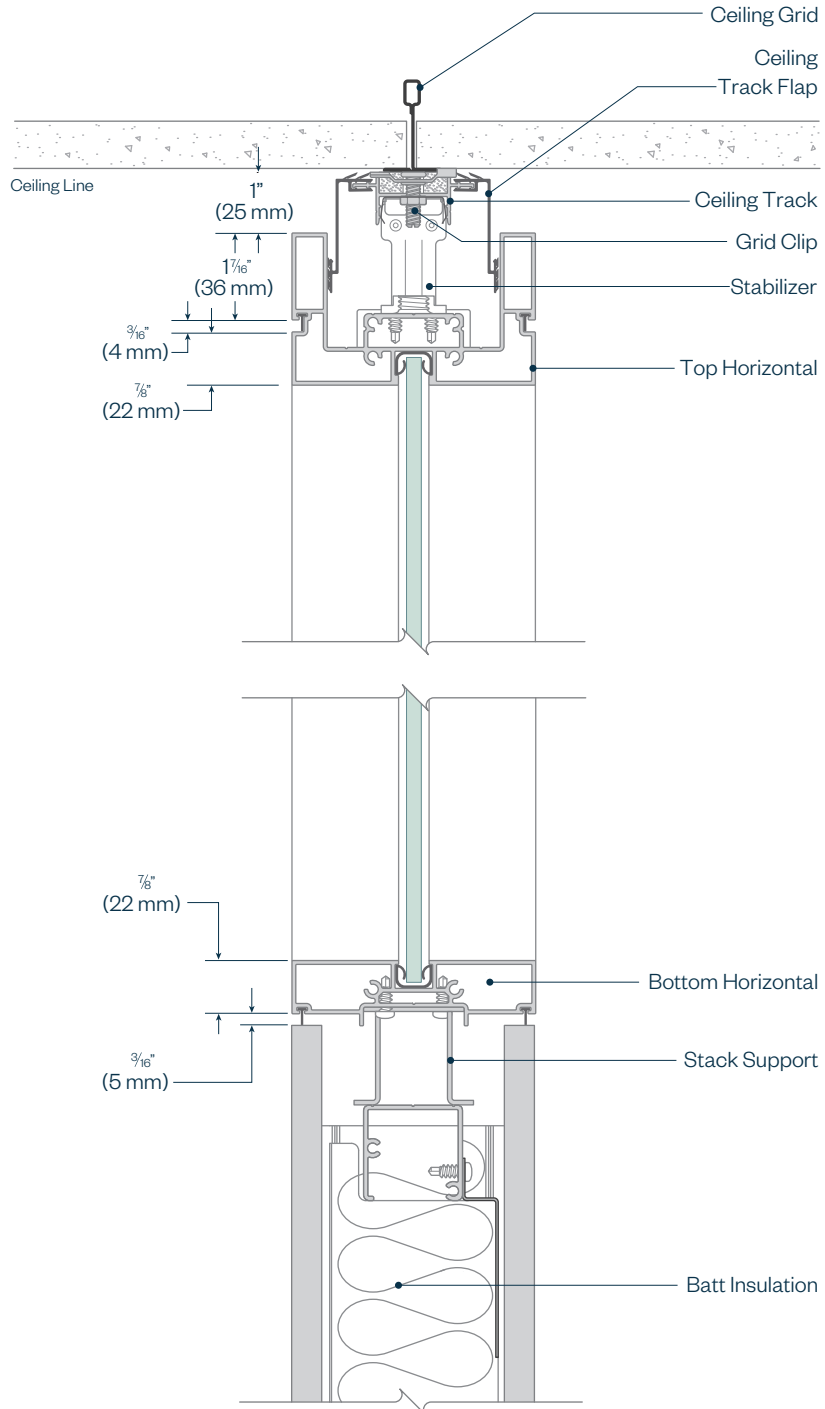
Enclose Combi Panel with Transom



HAWORTH

Enclose & EFG Architectural Details

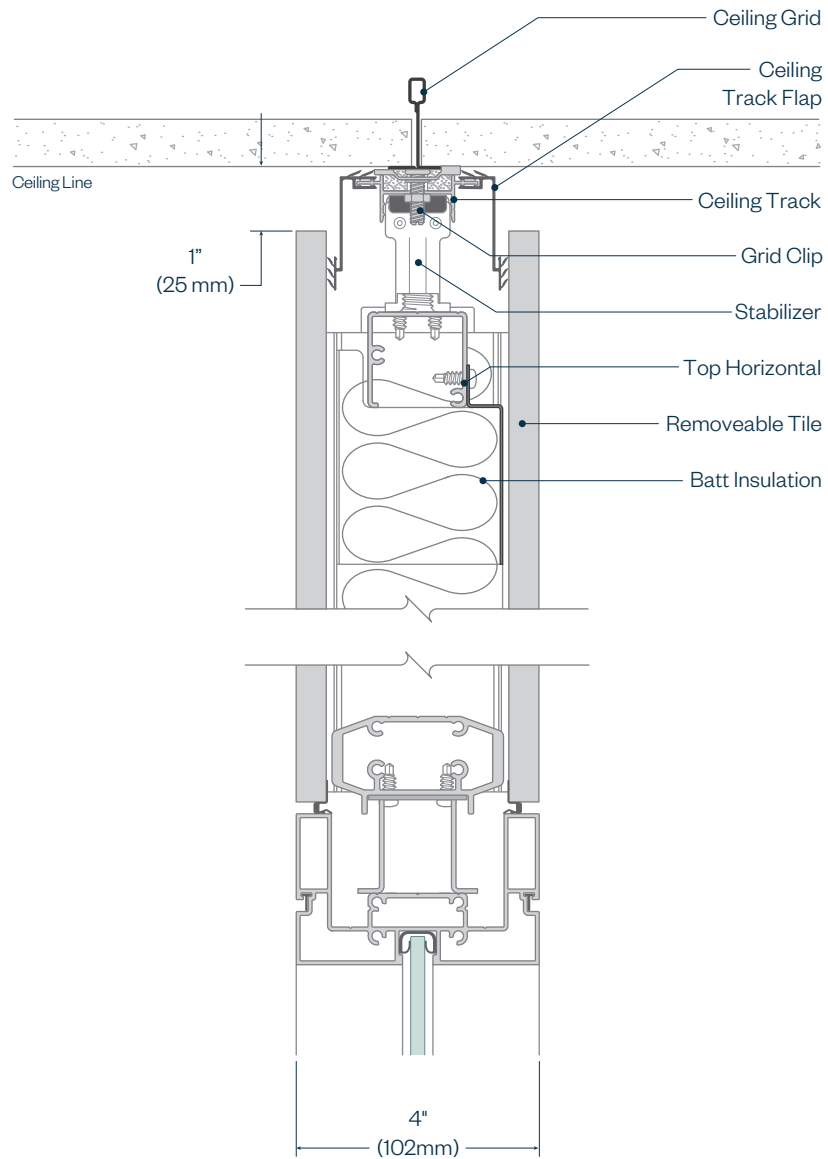
Enclose Glass Stack



HAWORTH

Enclose & EFG Architectural Details

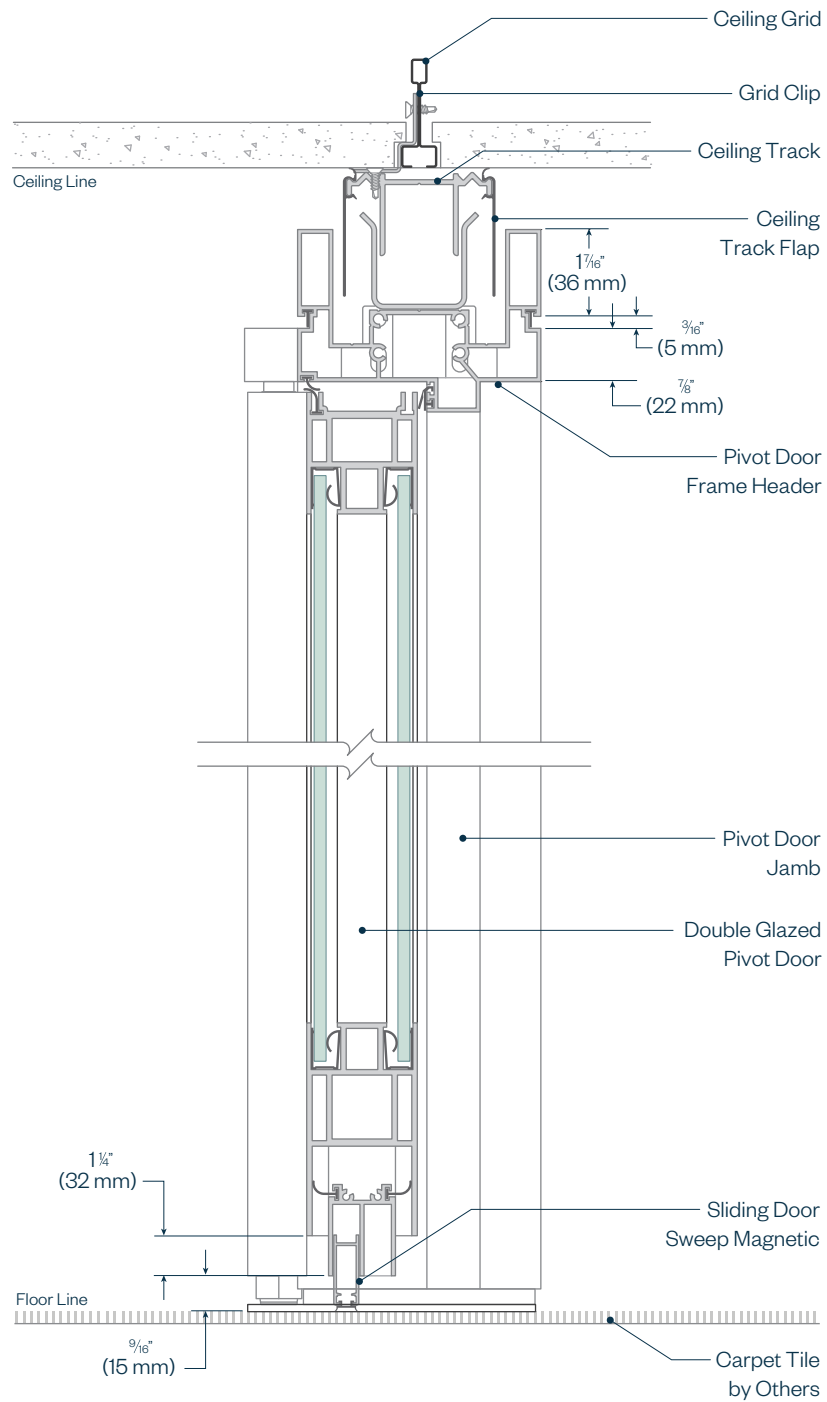
Enclose Solid Stack



HAWORTH

Enclose & EFG Architectural Details

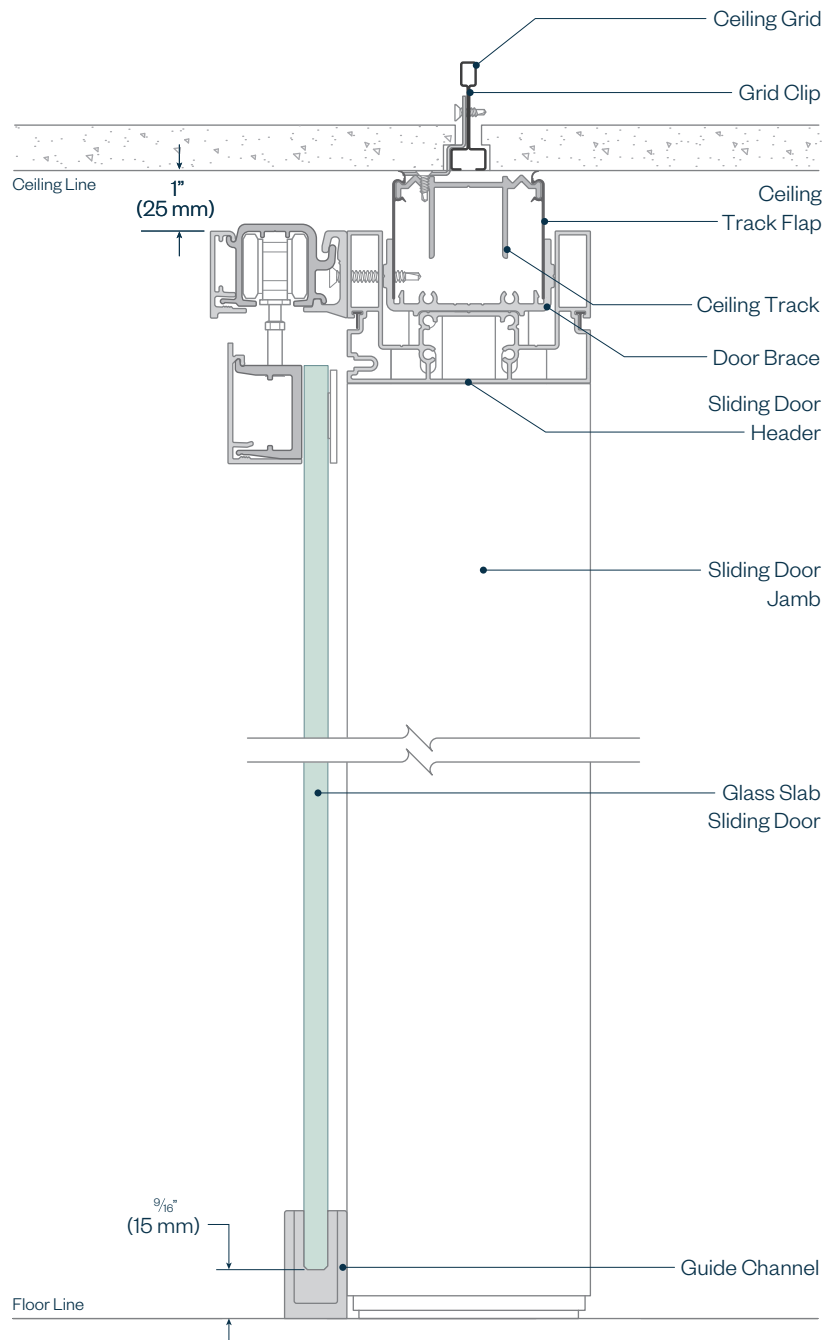
Enclose Frameless Glass Double Glazed Pivot Door



HAWORTH

Enclose & EFG Architectural Details

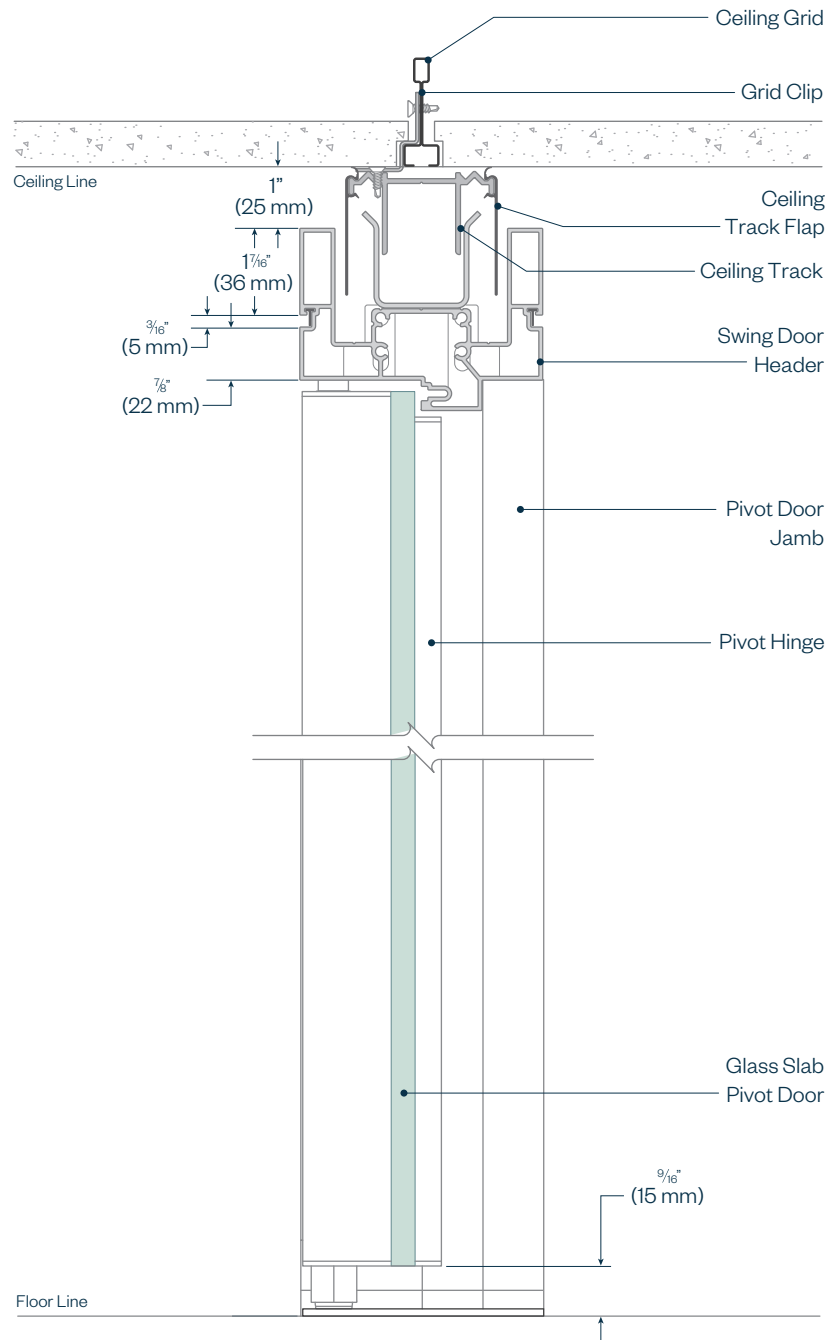
Enclose Frameless Glass Slab Sliding Door



HAWORTH

Enclose & EFG Architectural Details

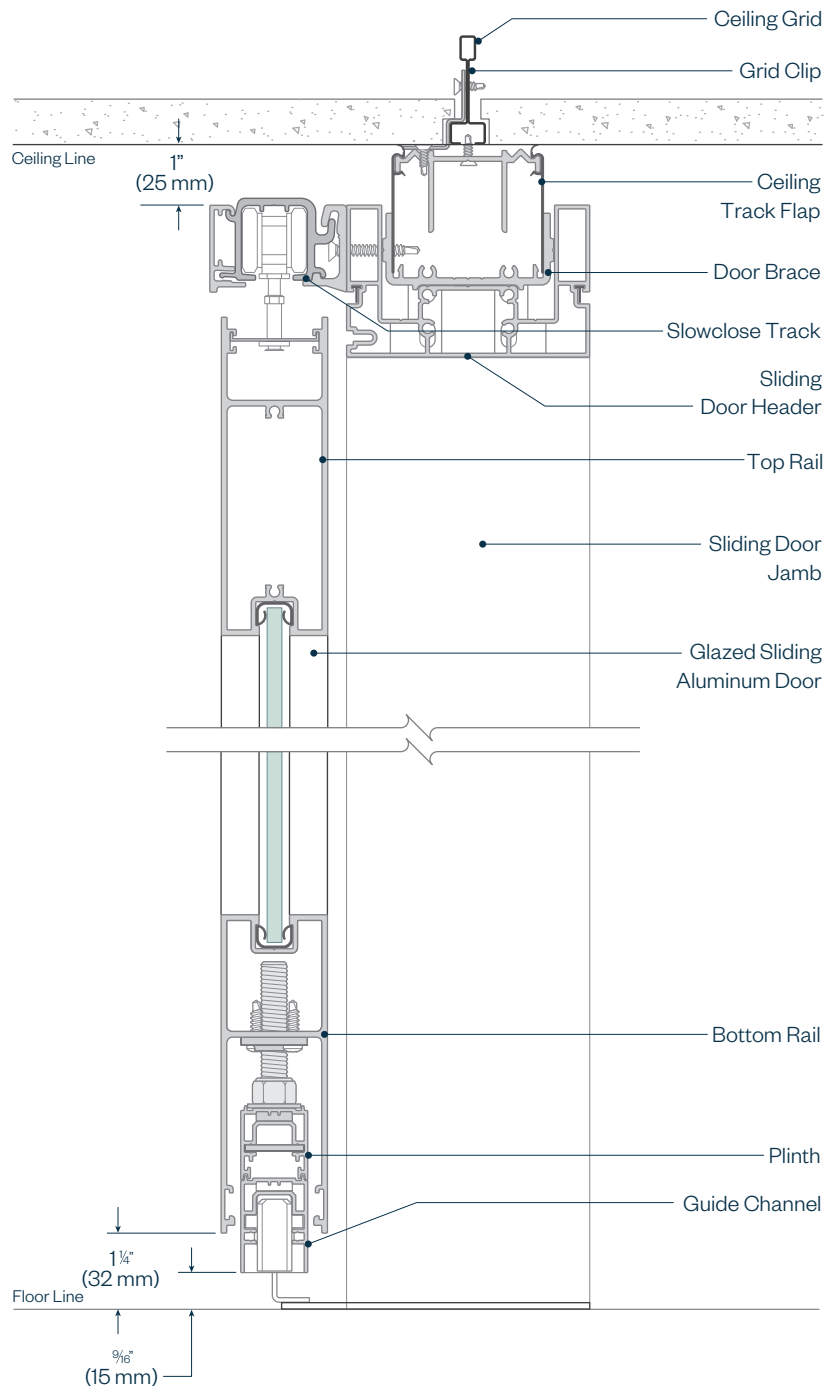
Enclose Frameless Glass Slab Pivot Door



HAWORTH

Enclose & EFG Architectural Details

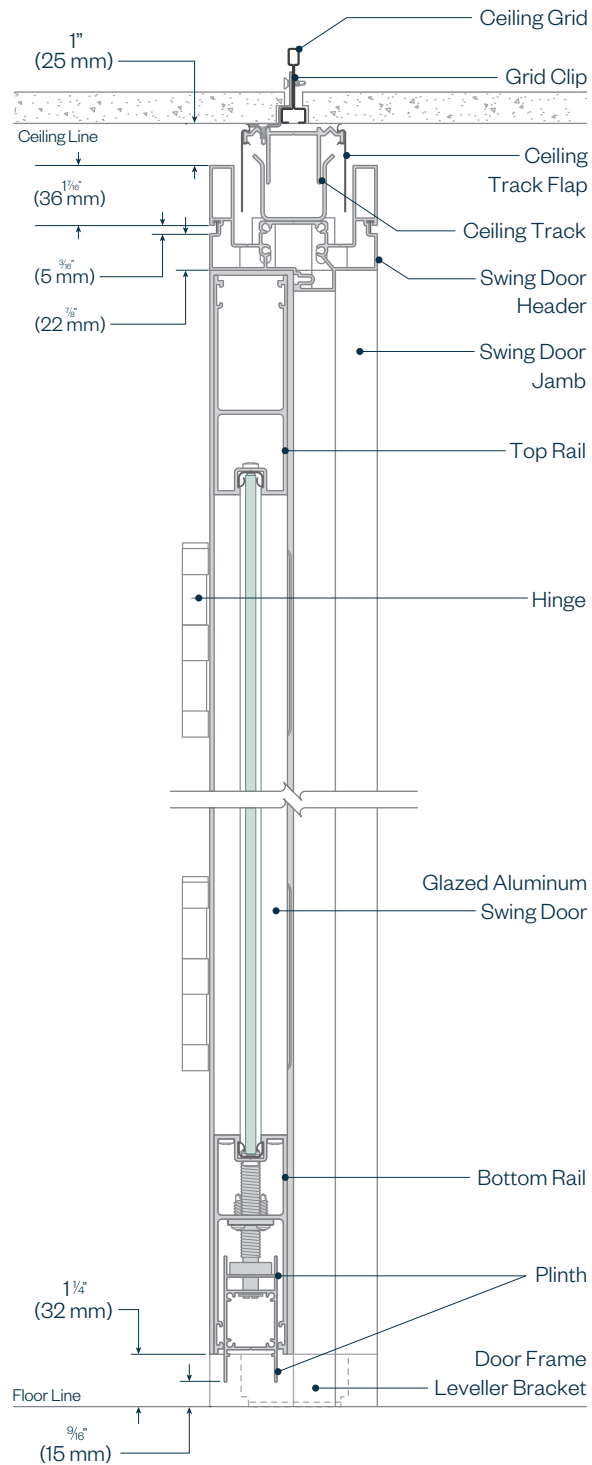
Enclose Frameless Glass Aluminum Glazed Sliding Door



HAWORTH

Enclose & EFG Architectural Details

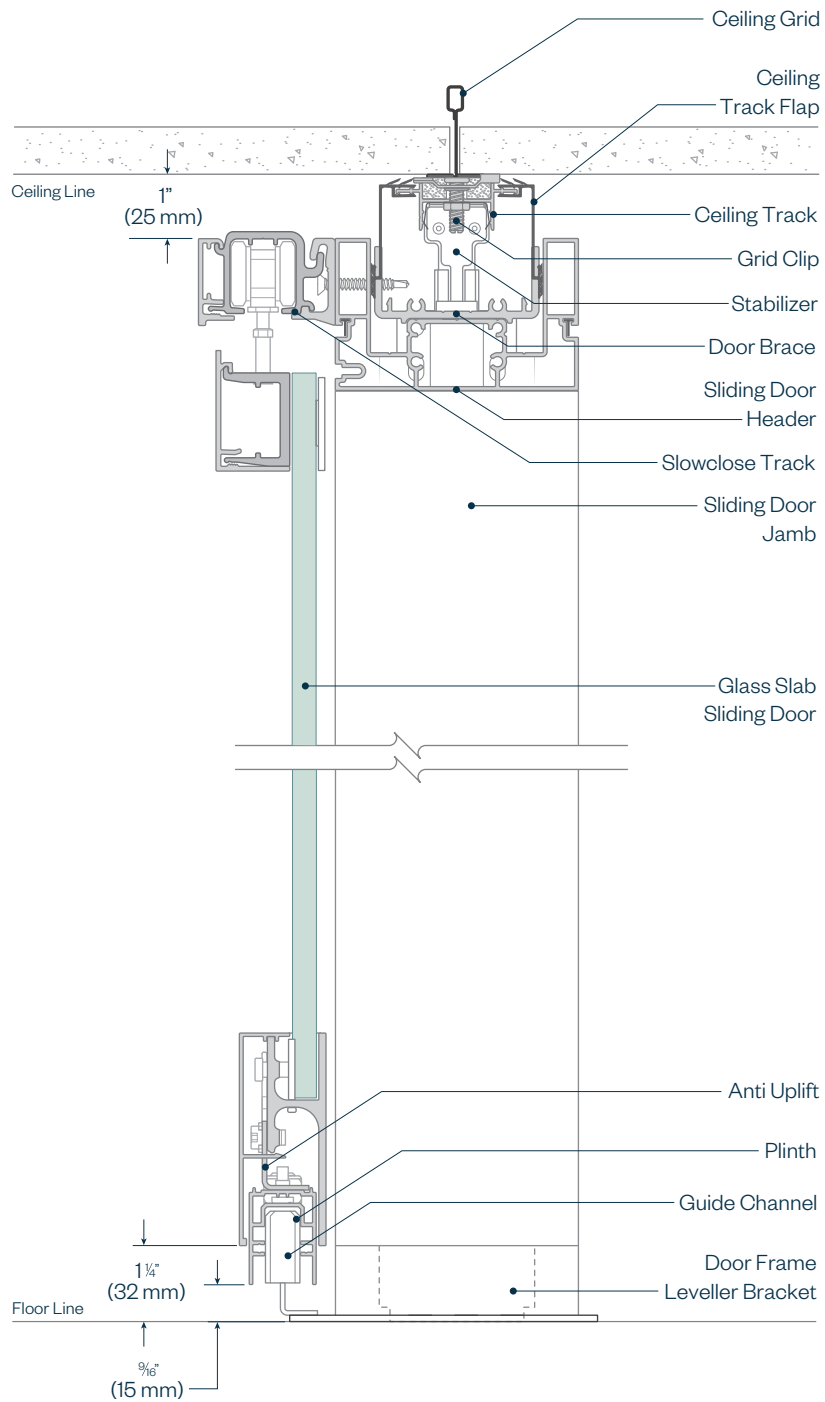
Enclose Frameless Glass Aluminum Glazed Butt-Hinge Door



HAWORTH

Enclose & EFG Architectural Details

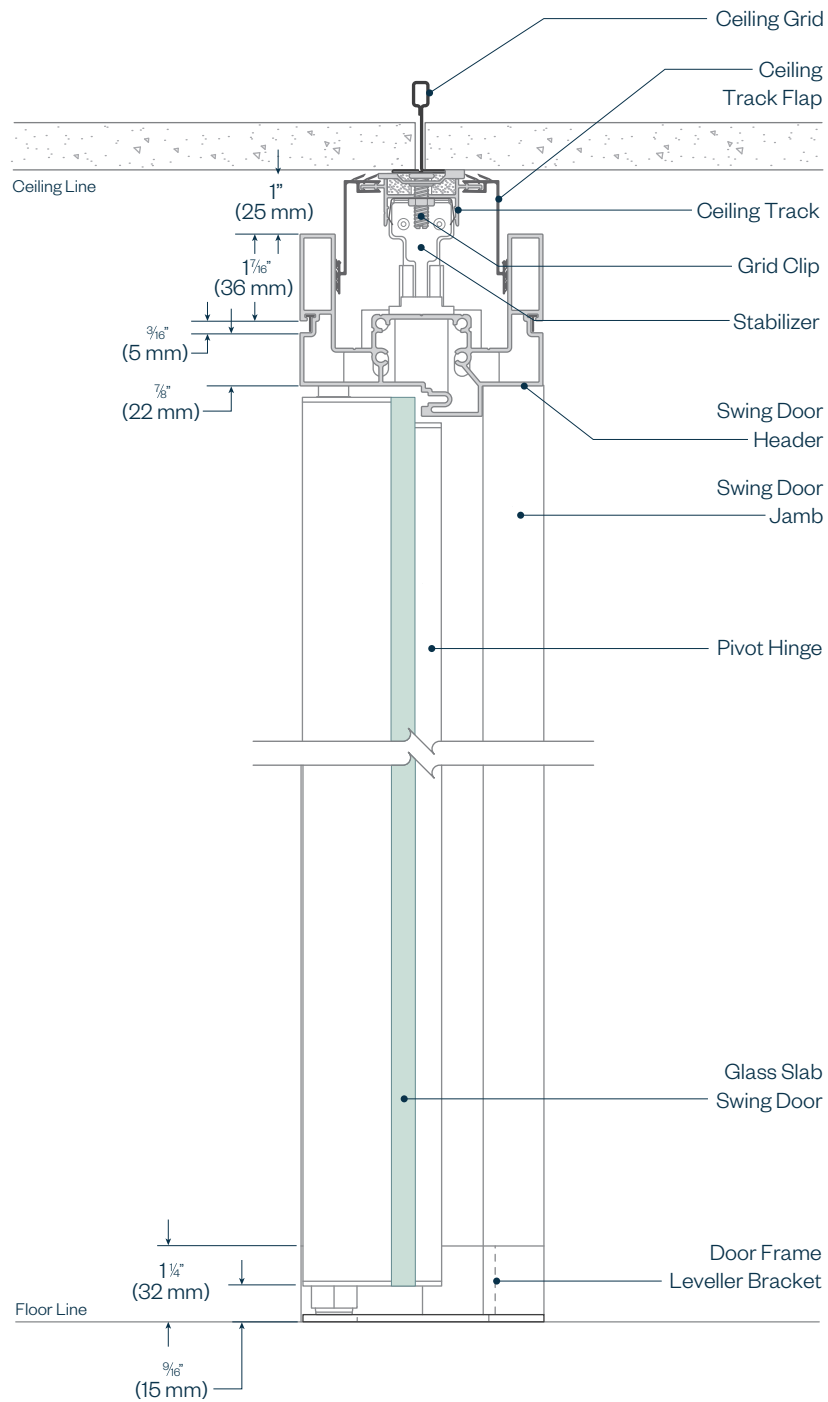
Enclose Glass Slab Sliding Door



HAWORTH

Enclose & EFG Architectural Details

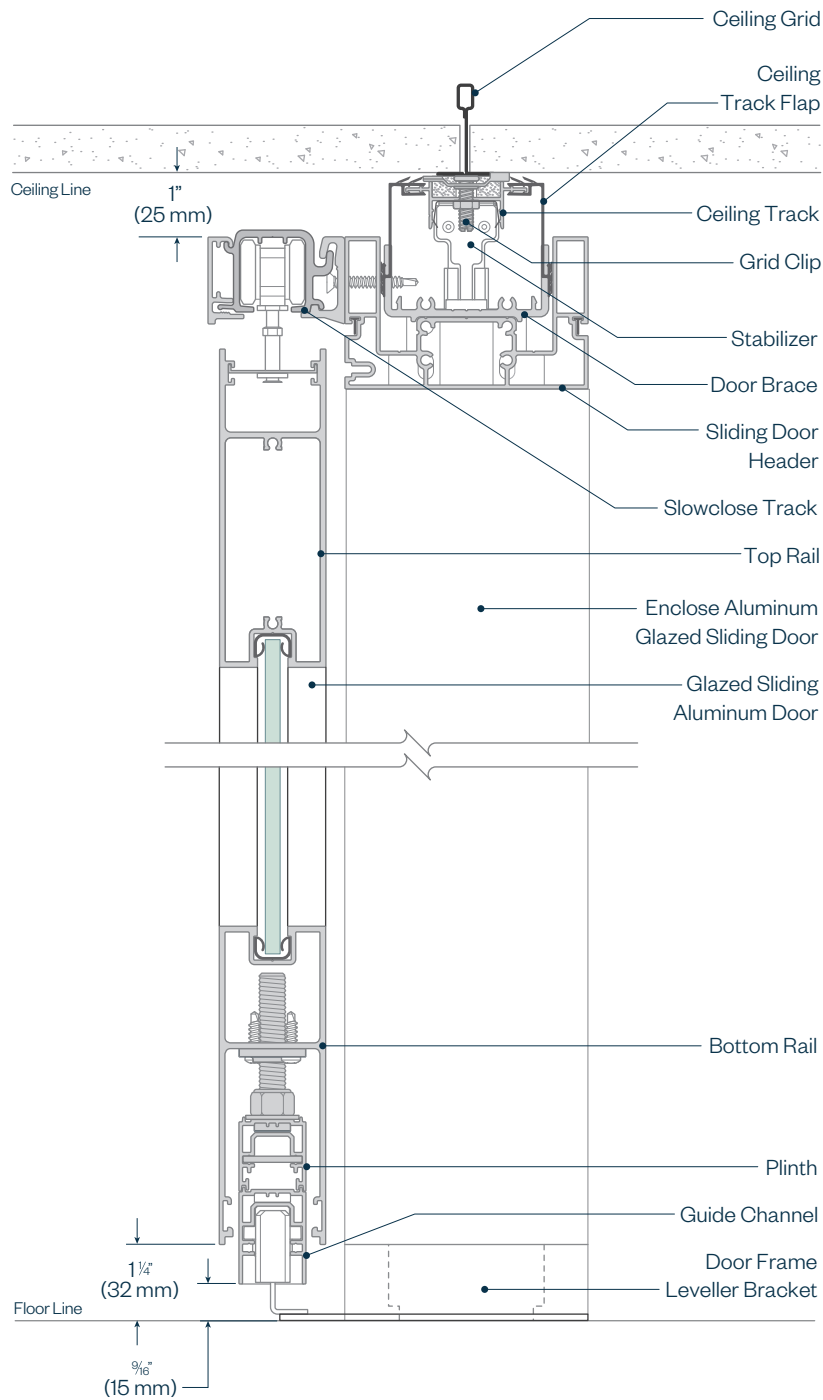
Enclose Glass Slab Pivot Door



HAWORTH

Enclose & EFG Architectural Details

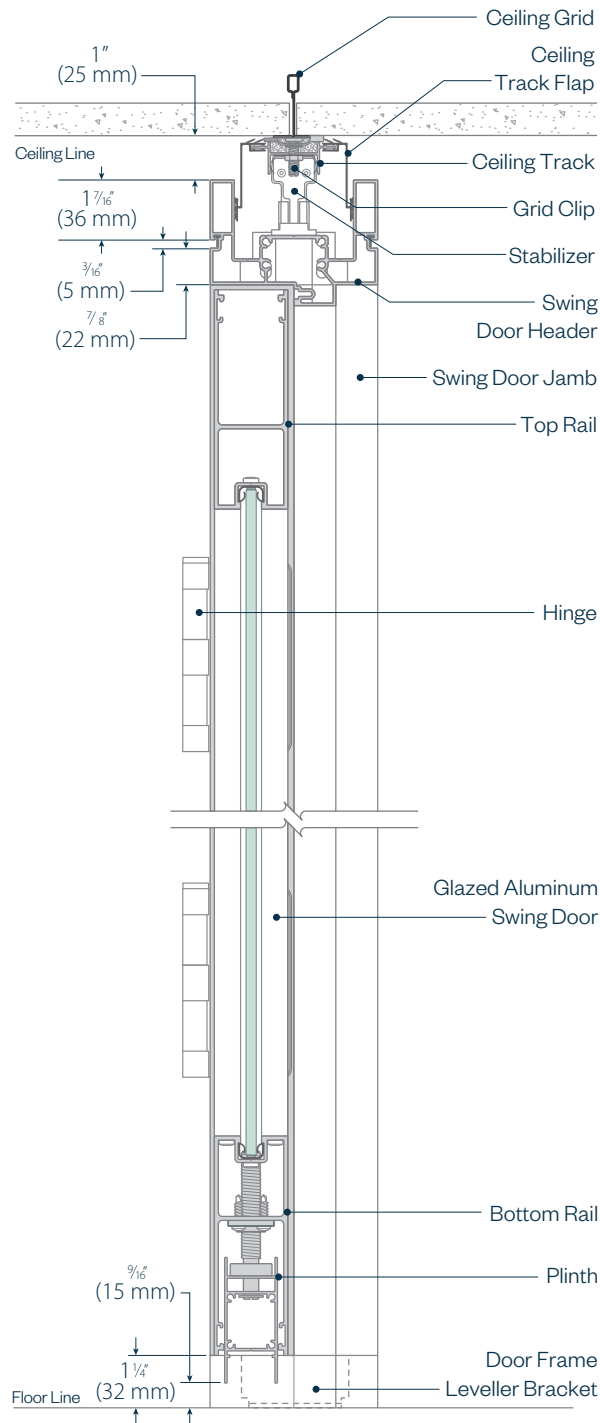
Enclose Aluminum Glazed Sliding Door



HAWORTH

Enclose & EFG Architectural Details

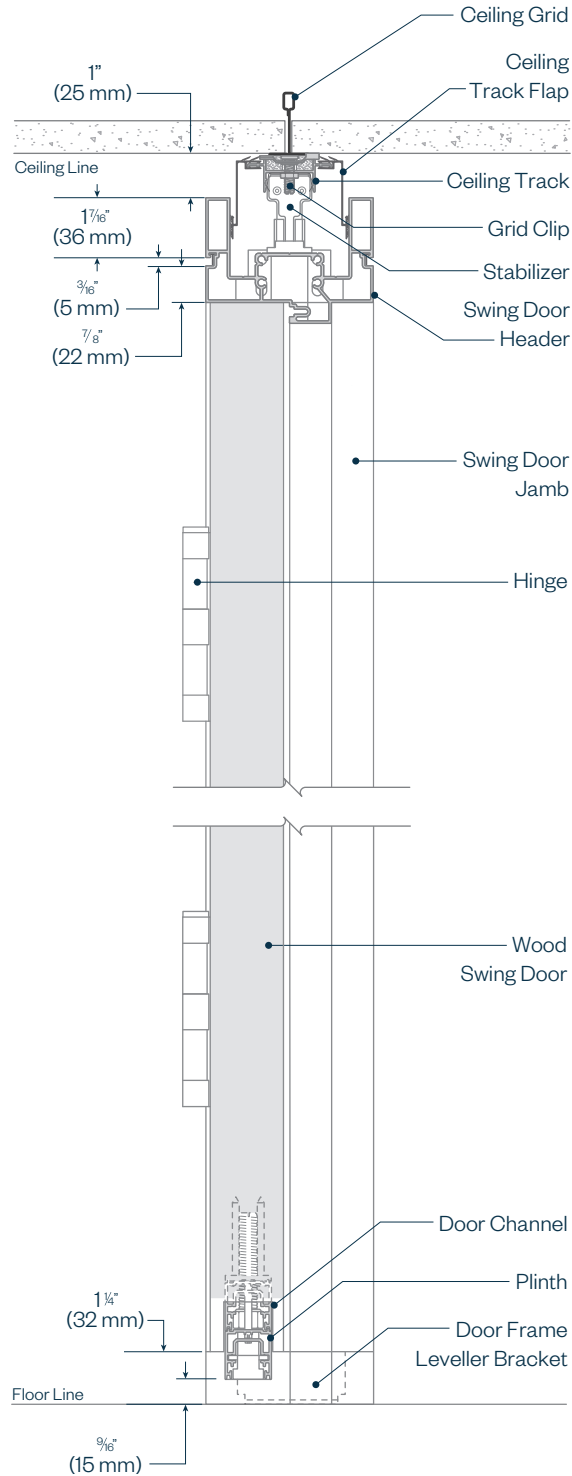
Enclose Aluminum Glazed Butt-Hinge Door



HAWORTH

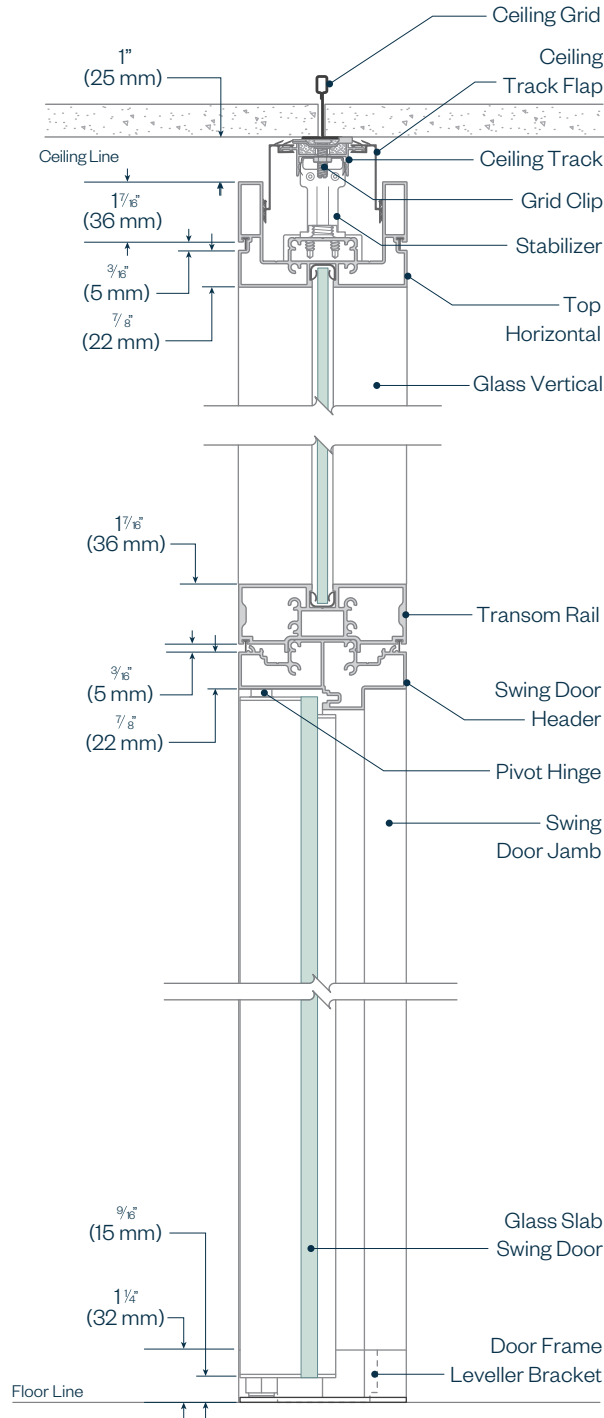
Enclose & EFG Architectural Details

Enclose Wood Butt-Hinge Door



Enclose & EFG Architectural Details

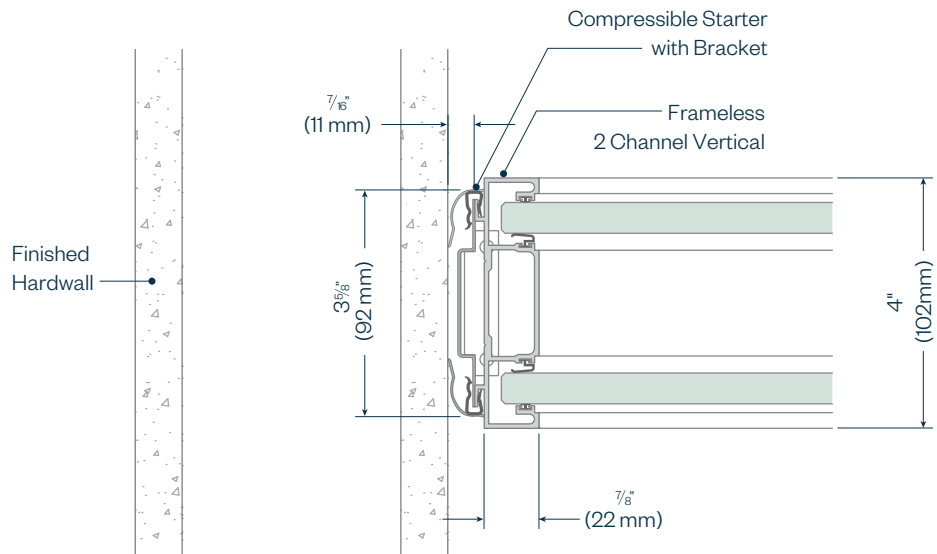
Enclose Glass Slab Pivot Door with Glass Transom



HAWORTH

Enclose & EFG Architectural Details

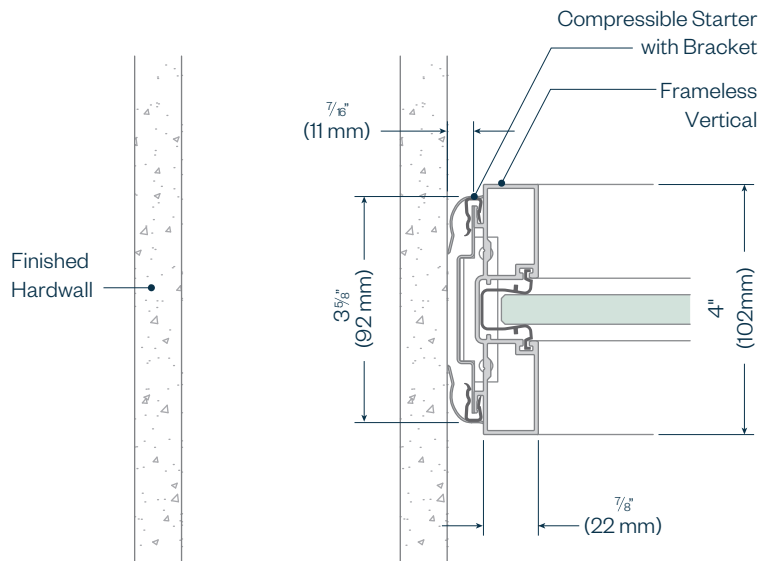
Starter - Compressible 2 Channel Enclose Frameless Glass



HAWORTH

Enclose & EFG Architectural Details

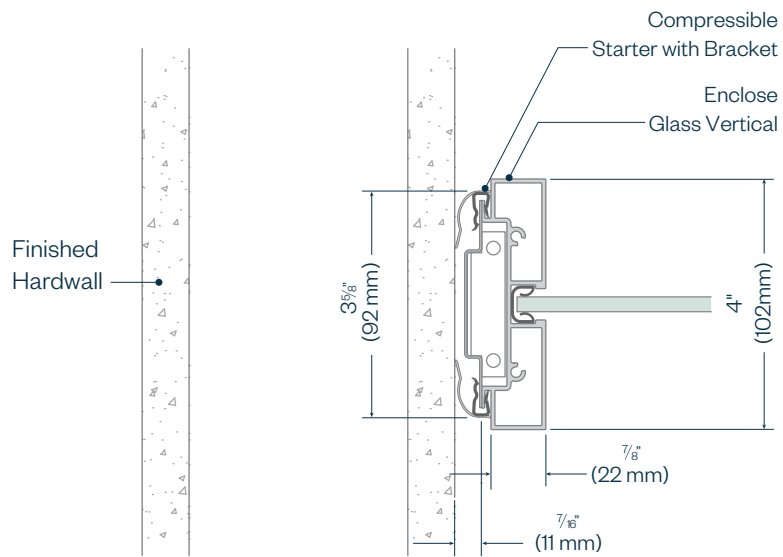
Starter - Compressible Enclose Frameless Glass



HAWORTH

Enclose & EFG Architectural Details

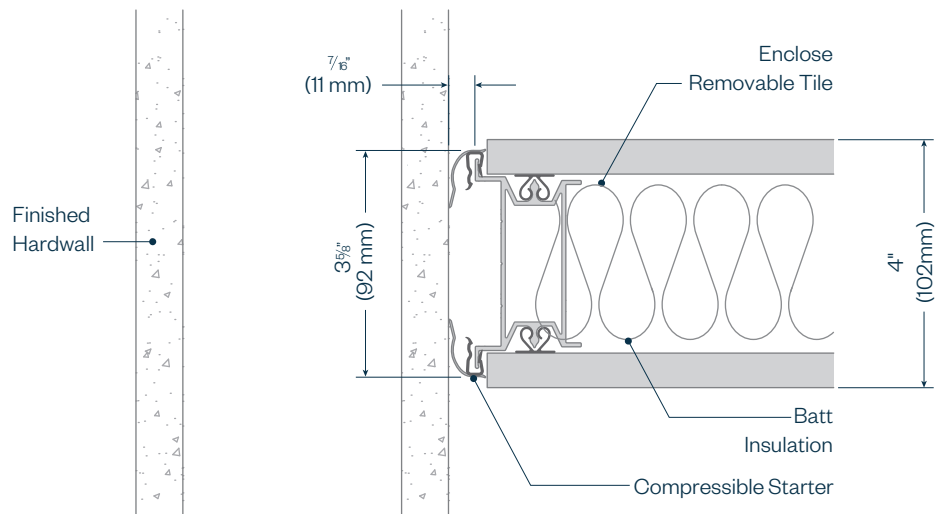
Starter - Compressible Enclose Glass



HAWORTH

Enclose & EFG Architectural Details

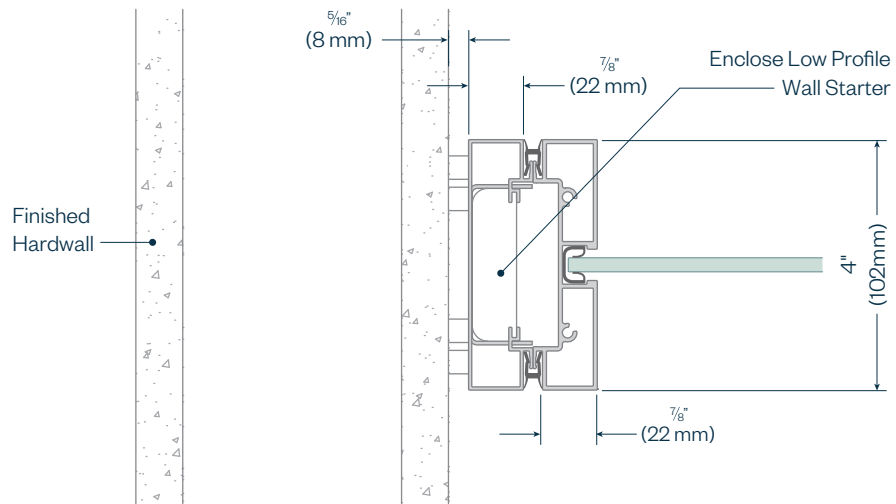
Starter - Compressible Enclose Solid



HAWORTH

Enclose & EFG Architectural Details

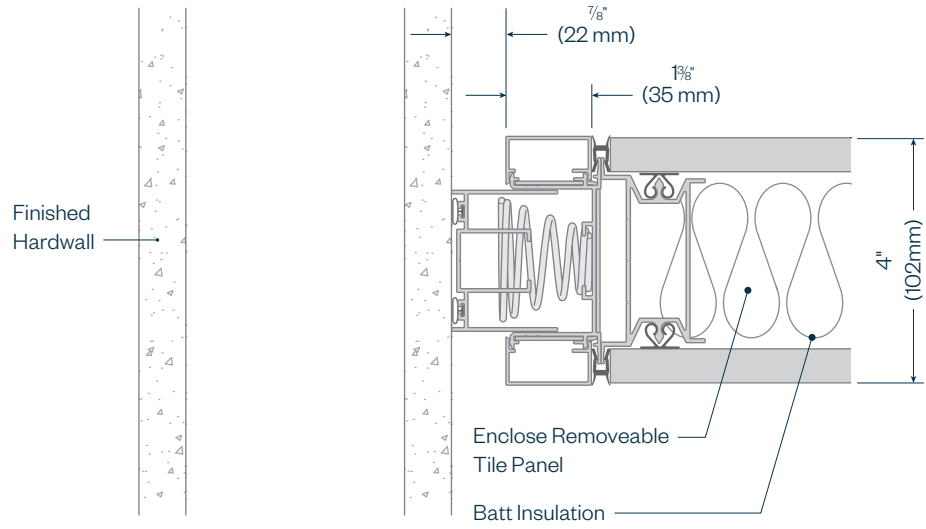
Starter - Low Profile



HAWORTH

Enclose & EFG Architectural Details

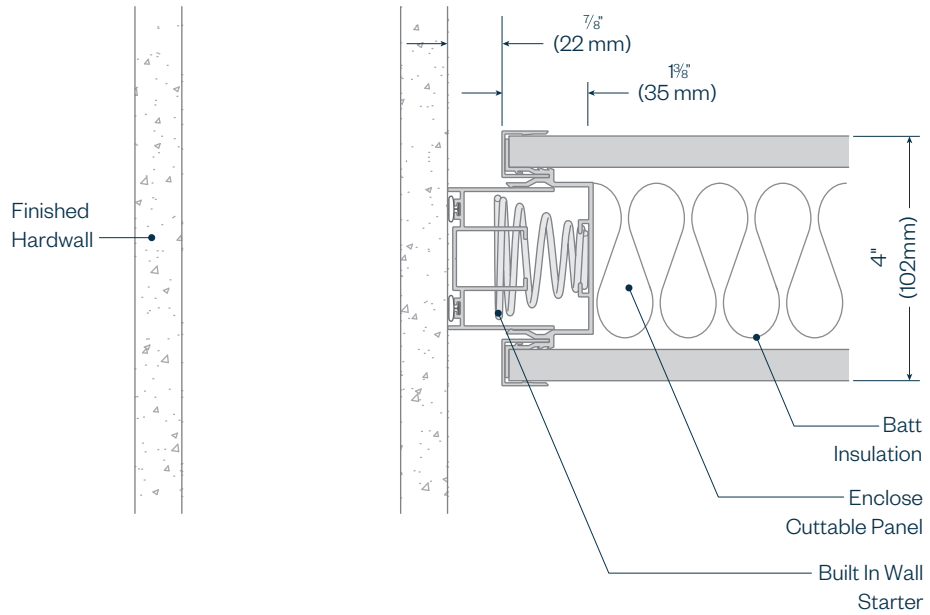
Starter - Adjustable



HAWORTH

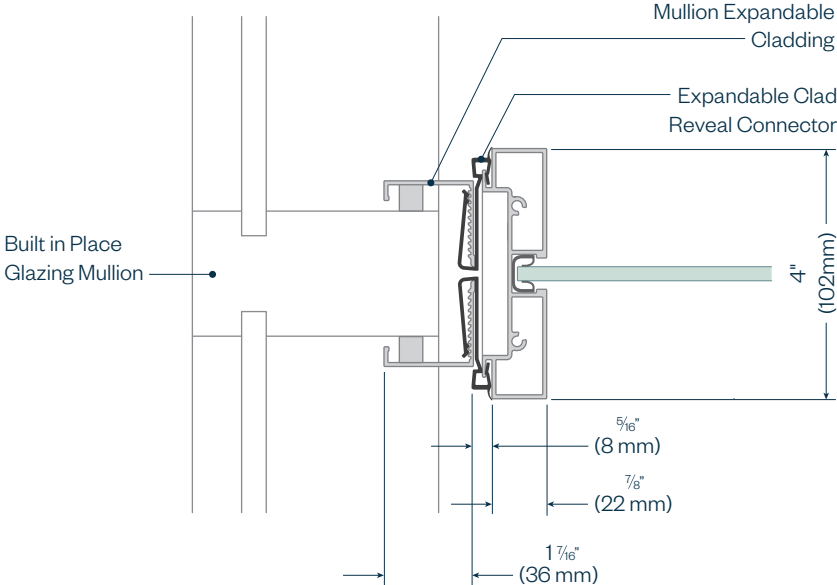
Enclose & EFG Architectural Details

Starter - Enclose Cuttable



Enclose & EFG Architectural Details

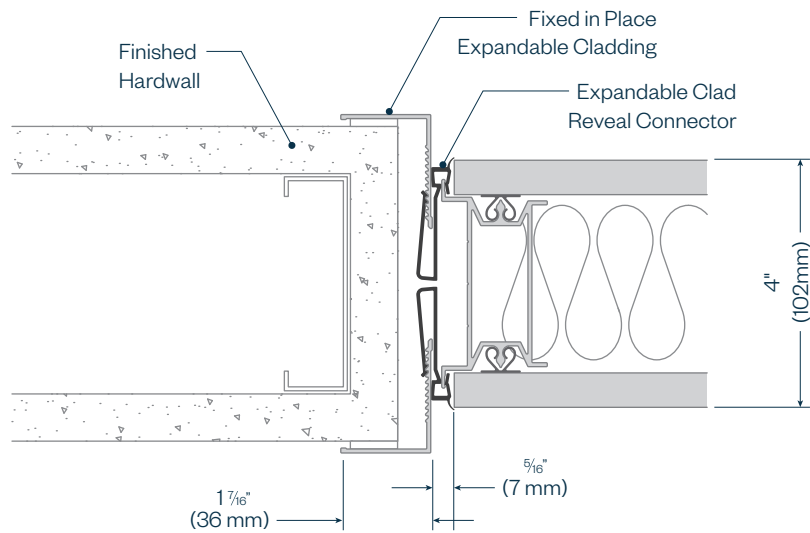
Starter - Mullion Expandable Cladding



HAWORTH

Enclose & EFG Architectural Details

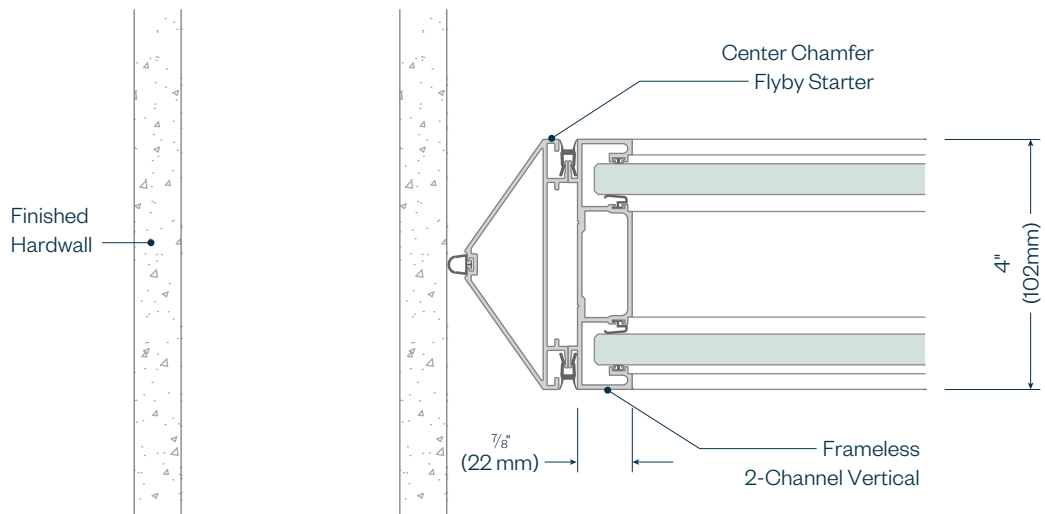
Starter - Hardwall Expandable Cladding



HAWORTH

Enclose & EFG Architectural Details

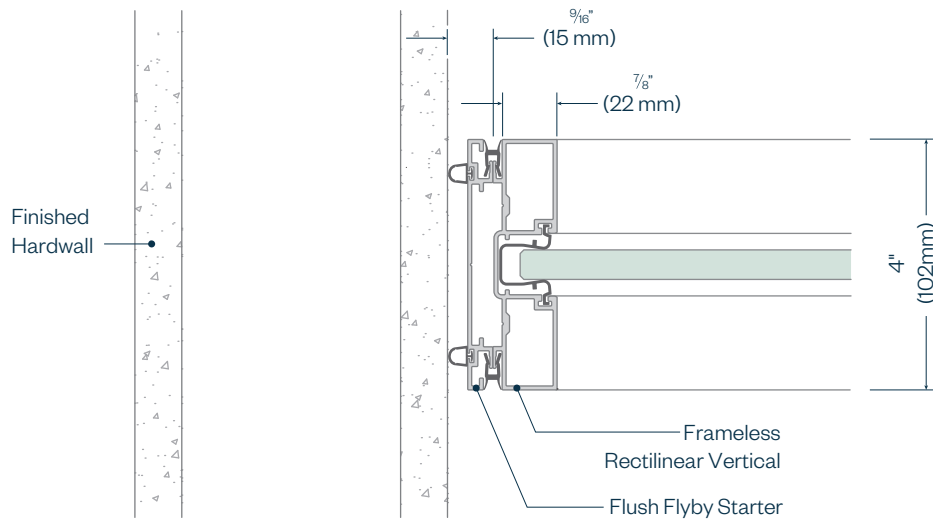
Starter - Center Chamfer



HAWORTH

Enclose & EFG Architectural Details

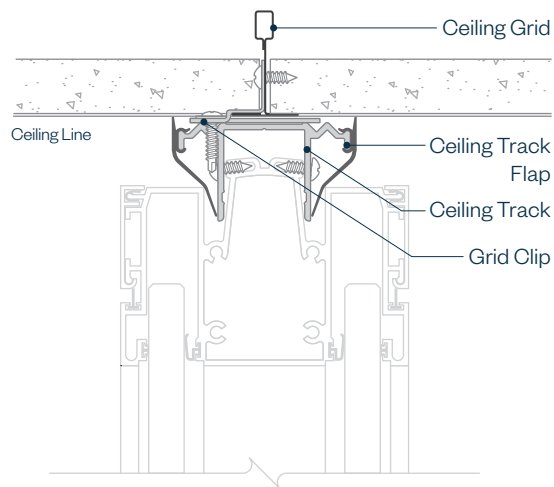
Starter - Flush Flyby



HAWORTH

Enclose & EFG Architectural Details

Enclose Frameless Glass Ceiling Connection - Tile



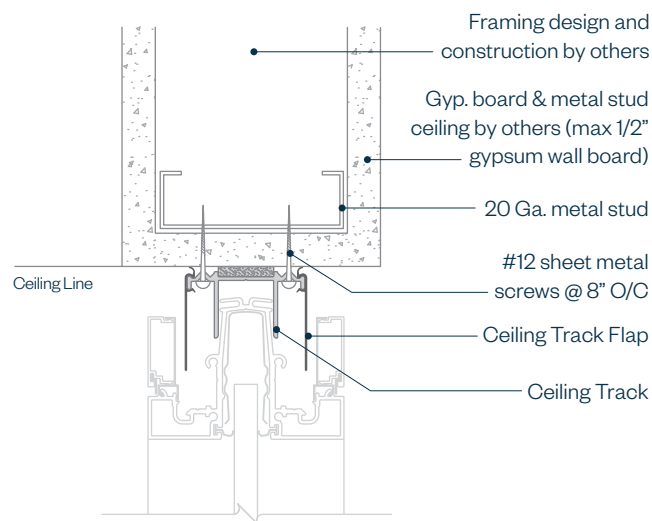
Recommended minimum detail only-
to be confirmed and accepted by the
professional of record for each
application and site

Base building construction must be in
accordance to local site building
code requirements

HAWORTH

Enclose & EFG Architectural Details

Enclose Frameless Glass Ceiling Connection - Drywall



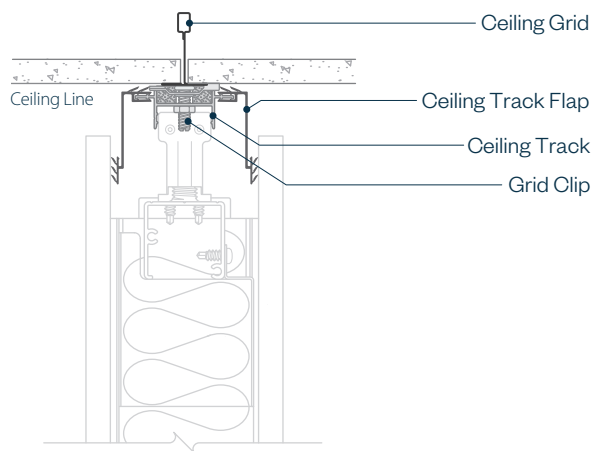
Recommended minimum detail only - to be confirmed and accepted by the professional of record for each application and site

Base building construction must be in accordance to local site building code requirements

HAWORTH

Enclose & EFG Architectural Details

Enclose Ceiling Connection - Tile



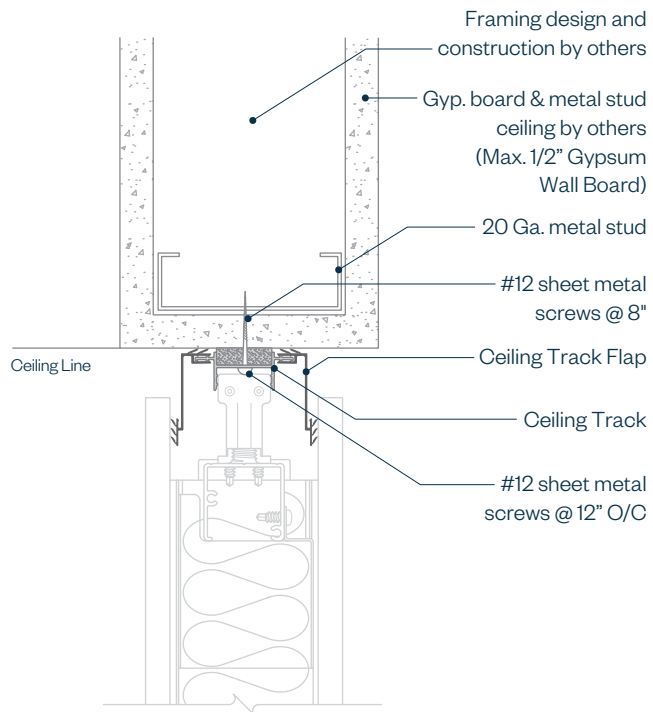
Recommended minimum detail only -
to be confirmed and accepted by the
professional of record for each
application and site

Base building construction must be in
accordance to local site building
code requirements

HAWORTH

Enclose & EFG Architectural Details

Enclose Ceiling Connection - Drywall



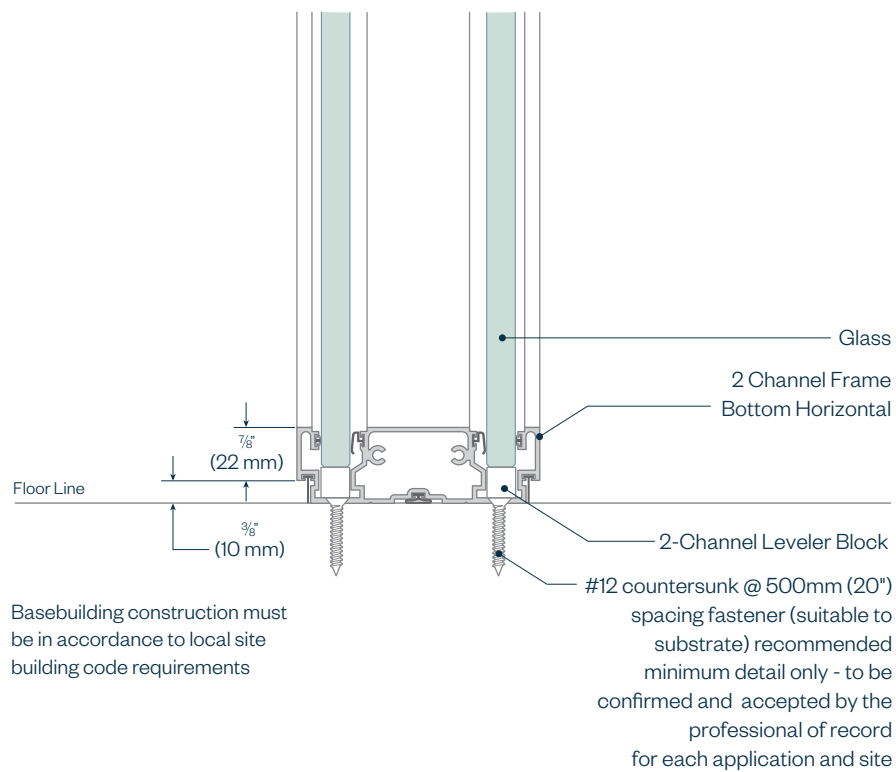
Recommended minimum detail only - to be confirmed and accepted by the professional of record for each application and site

Base building construction must be in accordance to local site building code requirements

HAWORTH

Enclose & EFG Architectural Details

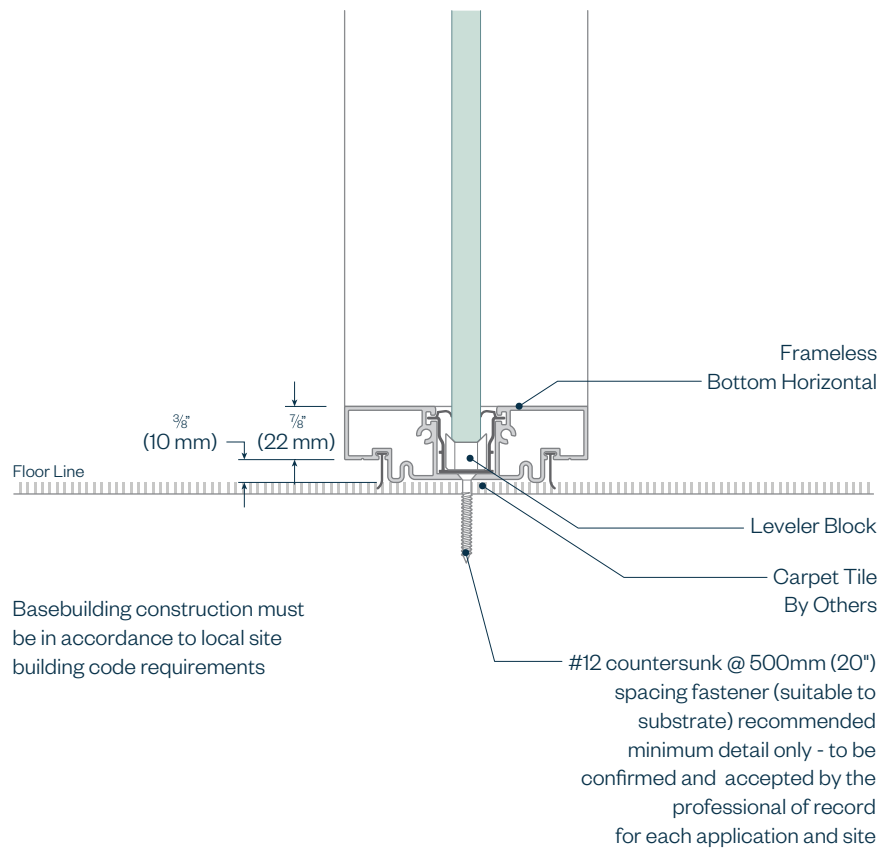
2 Channel Enclose Frameless Glass Floor Connection



HAWORTH

Enclose & EFG Architectural Details

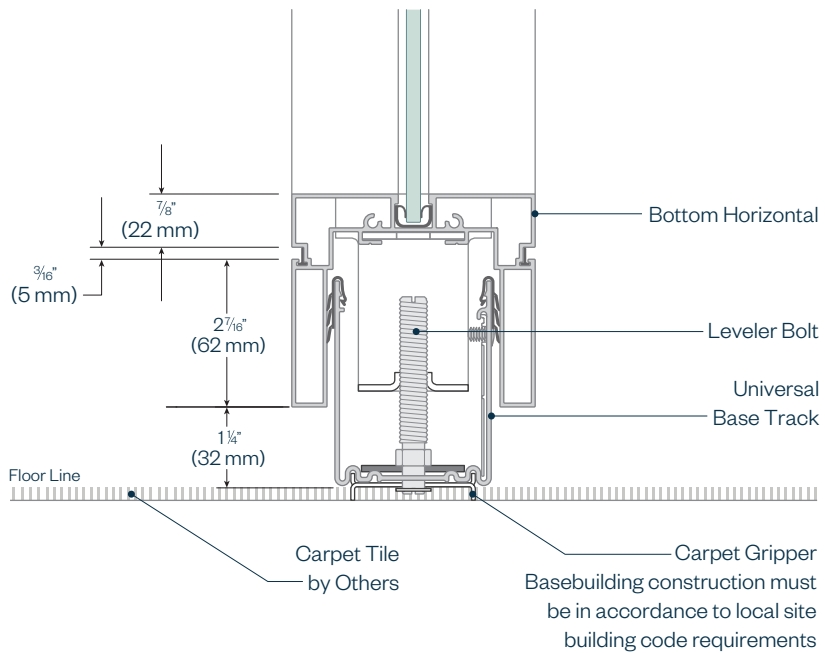
Enclose Frameless Glass Floor Connection



HAWORTH

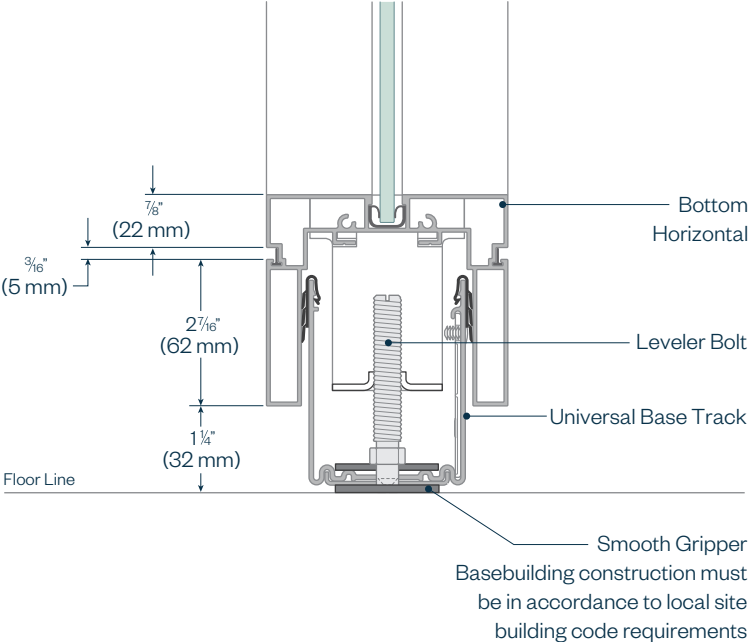
Enclose & EFG Architectural Details

Enclose Glass Panel Floor Connection - Carpet



Enclose & EFG Architectural Details

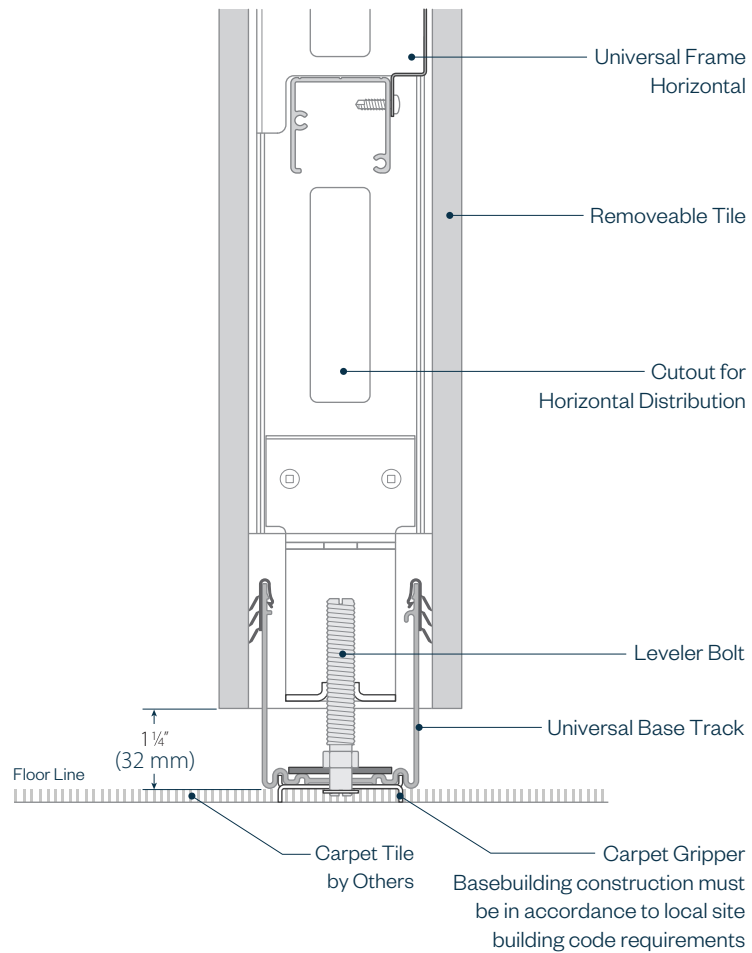
Enclose Glass Panel Floor Connection - Hard



HAWORTH

Enclose & EFG Architectural Details

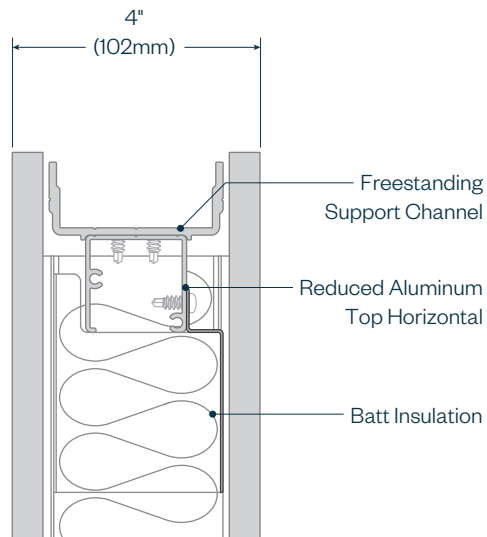
Enclose Solid Panel Floor Connection - Carpet



HAWORTH

Enclose & EFG Architectural Details

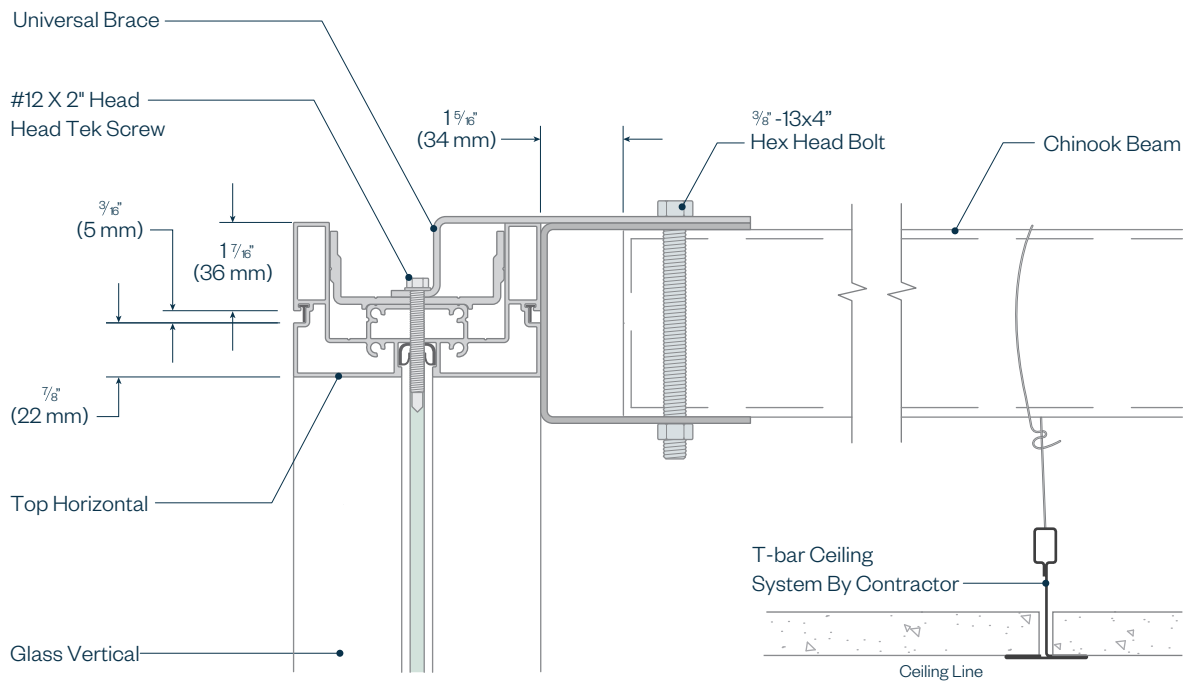
Enclose Freestanding



HAWORTH

Enclose & EFG Architectural Details

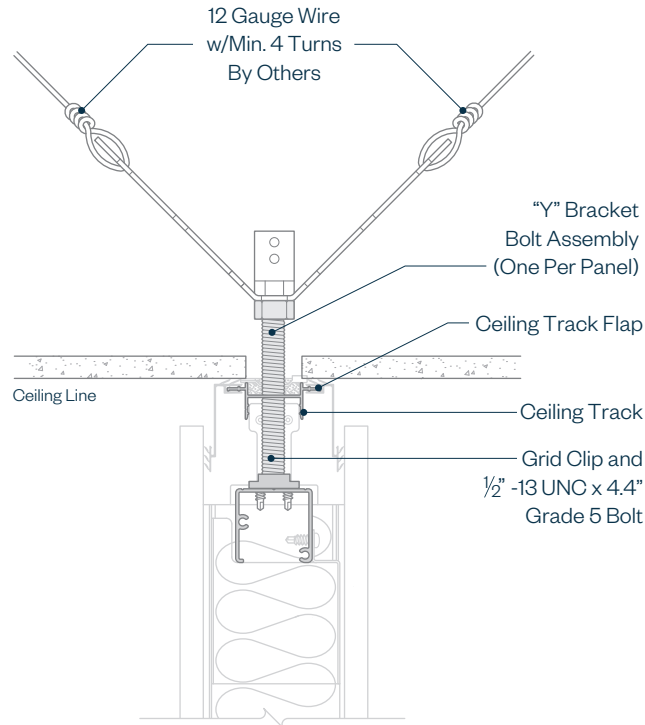
Enclose Freestanding - Chinook



HAWORTH

Enclose & EFG Architectural Details

Lateral Bracing - Ceiling with Wire Ties Only

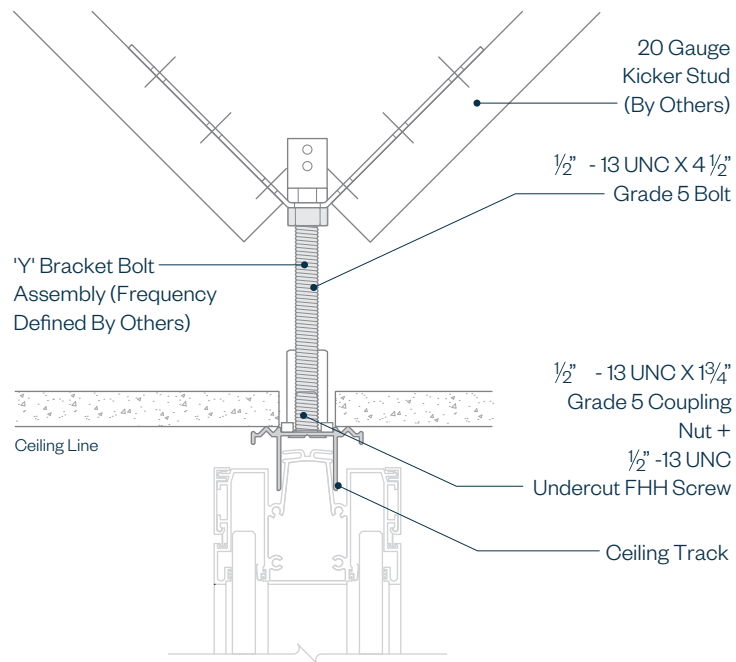


Base building construction must be in accordance to local site building code requirements

Details for lateral bracing are shown as a guide and are not project specific. It is the responsibility of the engineer of record to determine appropriate interpretation/application of information provided in the these drawings based on project requirements.

Enclose & EFG Architectural Details

Lateral Bracing - Ceiling with Kicker Studs

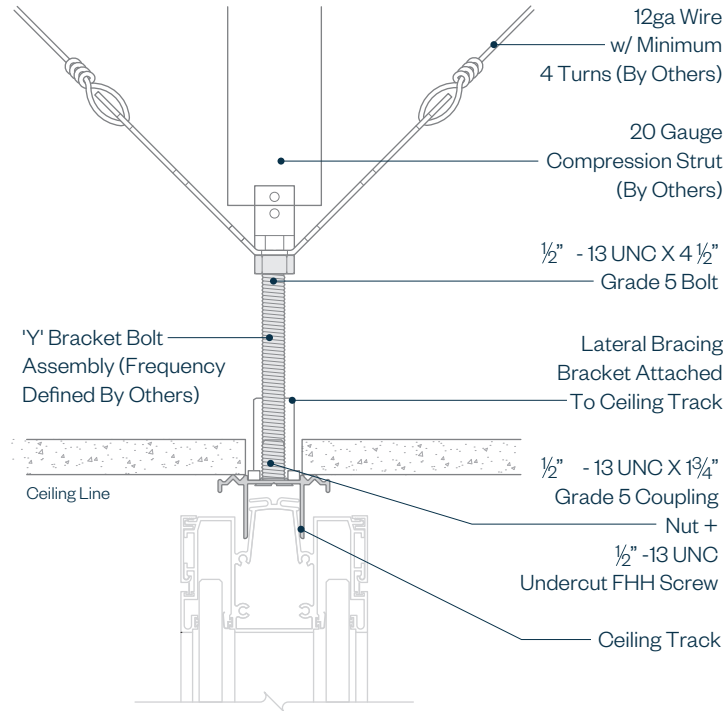


Base building construction must be in accordance to local site building code requirements

Details for lateral bracing are shown as a guide and are not project specific. It is the responsibility of the engineer of record to determine appropriate interpretation/application of information provided in the these drawings based on project requirements.

Enclose & EFG Architectural Details

Lateral Bracing - Ceiling with Compression Strut



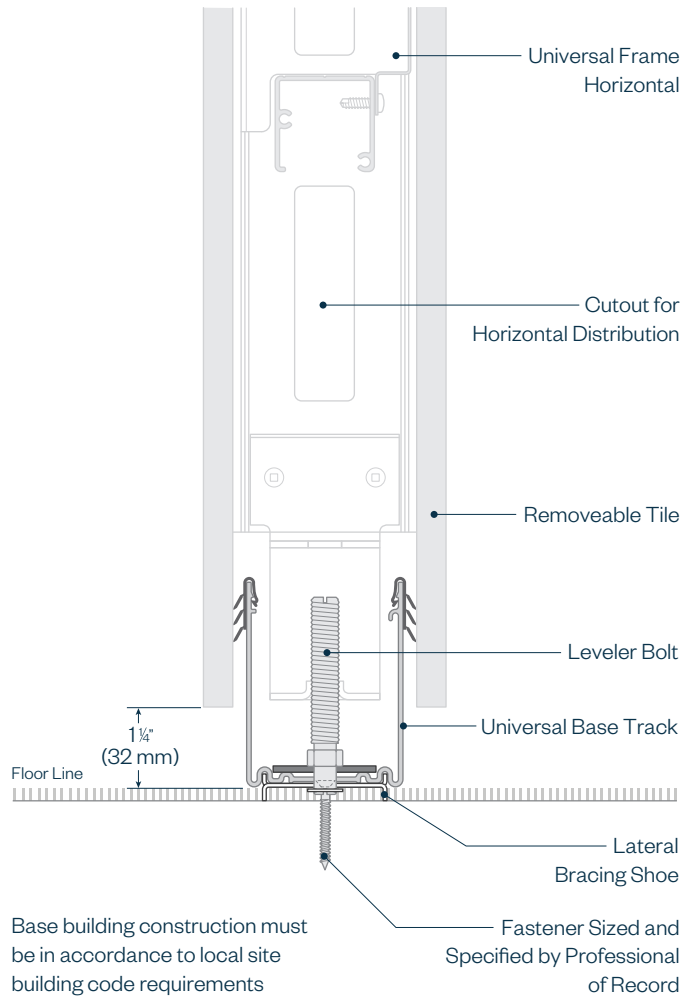
Base building construction must be in accordance to local site building code requirements

Details for lateral bracing are shown as a guide and are not project specific. It is the responsibility of the engineer of record to determine appropriate interpretation/application of information provided in the these drawings based on project requirements.

HAWORTH

Enclose & EFG Architectural Details

Lateral Bracing - Carpet

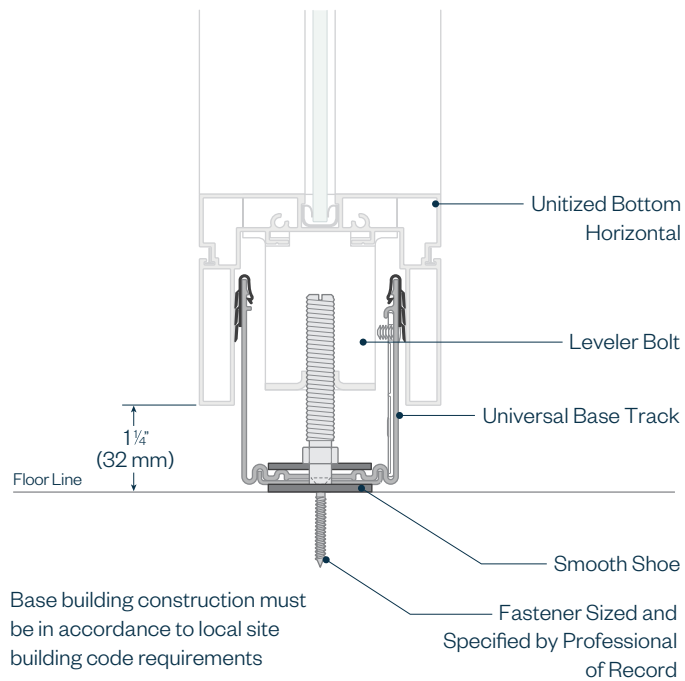


Details for lateral bracing are shown as a guide and are not project specific. It is the responsibility of the engineer of record to determine appropriate interpretation/application of information provided in the these drawings based on project requirements.

HAWORTH

Enclose & EFG Architectural Details

Lateral Bracing-Hard Floor

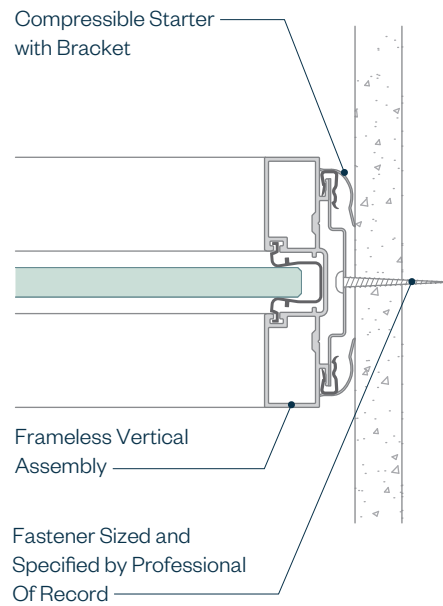


Details for lateral bracing are shown as a guide and are not project specific. It is the responsibility of the engineer of record to determine appropriate interpretation/application of information provided in the these drawings based on project requirements.

HAWORTH

Enclose & EFG Architectural Details

Lateral Bracing - Compressible Starter



Details for lateral bracing are shown as a guide and are not project specific. It is the responsibility of the engineer of record to determine appropriate interpretation/application of information provided in the these drawings based on project requirements.