

Aloha Active AX Overview

Content

- Value Proposition
- Statement of Line and Features
- Colours and Materials
- Adjustments
- Certifications

Value Proposition

HAWORTH

Aloha Active The Intuitive Seating Experience

Our Aloha task seating family has a long track record of success. Known for providing great design and comfort at an affordable price, Aloha is no stranger to meeting – and exceeding – strict project requirements.

Now, the Aloha family is extending its expertise with a new member – Aloha Active AX.

Developed to meet the highest level of the European Ergonomic norms for seating (type Ax) and GS certified.



EN 1335 product types

EN 1335 is THE standard for office chairs, covering both the safety and ergonomic requirements of them

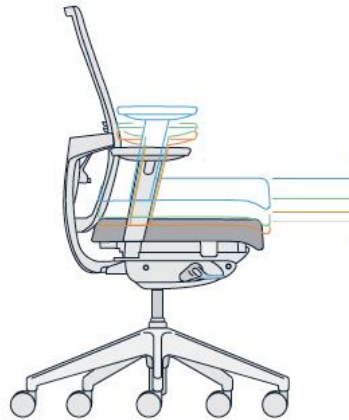
Updated in 2020, the standard defines four classifications of chair types: Ax, A, B, C. With Ax having the highest range of ergonomic adjustment and Type C the least.

Our chairs are tested and certified by an independent lab to meet the standard. This process also allows the GS mark to be applied to our chairs

GS mark is a trusted symbol of safety and is frequently requested in most public and large private projects

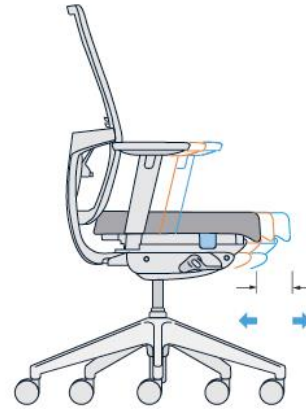
Seat height adjustment

- min. 160 mm adjustment*
- min. 130 mm adjustment
- min. 100 mm adjustment
- min. 80 mm adjustment



Seat depth adjustment

- min. 70 mm adjustment*
- min. 70 mm adjustment
- min. 50 mm adjustment
-



Lumbar support adjustment

- min. 70 mm adjustment*
- min. 70 mm adjustment
- min. 50 mm adjustment
-



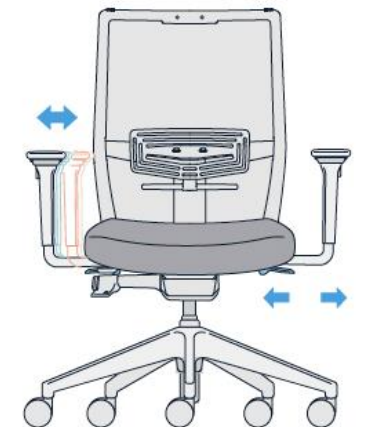
Armrests adjustments

- min. 100 mm adjustment*
- min. 100 mm adjustment
- min. 50 mm adjustment
-



Clearance between armrest support

- min. 480 mm adjustment*
- min. 480 mm adjustment
- min. 460 mm adjustment
- min. 460 mm adjustment



- **Type AX** – special office work chair with the extra range of adjustments
- **Type A** – office work chair with a large range of adjustments
- **Type B** – office work chair with a standard range of adjustments
- **Type C** – office work chair with limited adjustments

Statement of Line and Features

Aloha Active Statement of Line

As diverse as its users,
designed for every workstyle
and a variety of applications in
the workplace.

Aloha Active
Mesh Back



Aloha Active
Upholstered Back



Aloha Active
AX



Aloha Active AX Key features

Everyday comfort

- Supports a wide variety of postures
- Seamlessly fits into workspaces
- Wide range of upholstery

Meets requirements of type Ax according to EN 1335 standard

- GS sign



SOL Aloha Active AX

Product Features



Back

Mesh back

Lumbar support

Arm

4D arms

Seat foam

Fire retardant foam

Weight activated mechanism

5 position back lock
Seat depth adjustment
Seat height adjustment

Five-star base

Aluminum structured black EC,
Titanium EC, Polished aluminum

Castors

Hard castors
Soft castors

SOL Aloha Active Upholstered Back

Product Features



SOL Aloha Active mesh back

Product Features



(+) upcharge

Colours and Materials

SOL Aloha Active AX

Colours & Materials



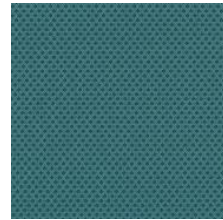
Colours & Materials

Back Upholstery

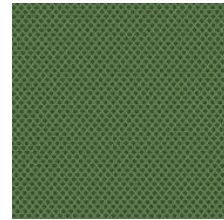
Back Upholstery – Mesh Collection Runner (40)



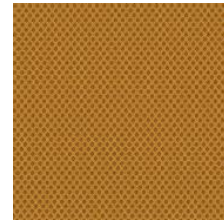
Moon Flower
40/0173



Corn Flower
40/6150



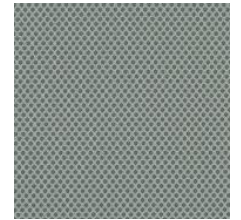
Peat Moss
40/8118



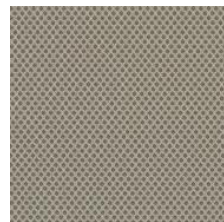
Sunflower
40/2055



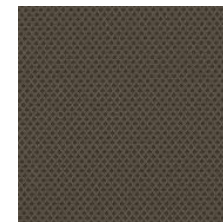
Sedum
40/4127



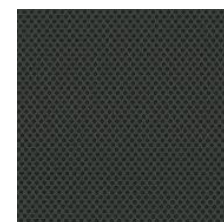
Silver Leaf
40/0169



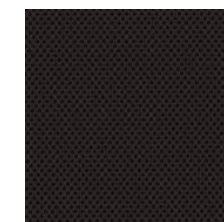
Beach
40/1191



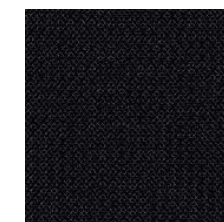
Mushroom
40/1193



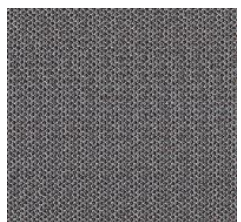
River Rock
40/0171



Mulch
40/0170

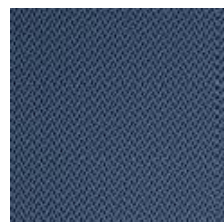


Black
40/0999



Byzantina
40/0011

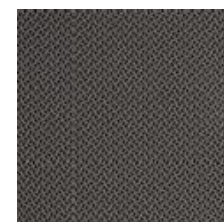
Back Upholstery – Mesh Collection Rhythm (41)



42/6152



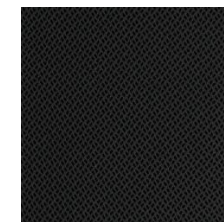
42/0165



42/0176



42/0025



42/0999

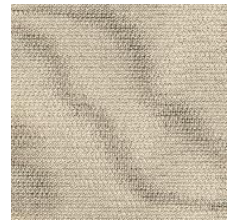
Colours & Materials

Seat Upholstery

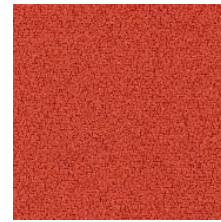
Fabric Collections



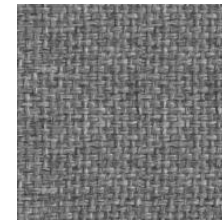
Felicity
(Coll. 34)



Convert
(Coll. 50)



Xtreme
(Coll. 82)



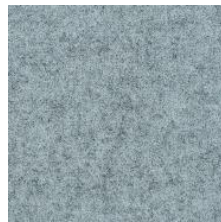
King L Kat
(Coll. 63)



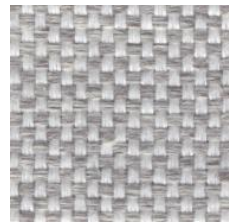
Maya
(Coll. 66)



Skai Evida
(Coll. 51)



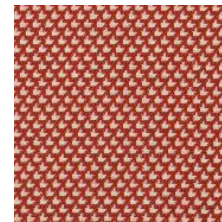
Blazer
(Coll. 61)



Class
(Coll. 68)



Oceanic



Diagonale



Relate



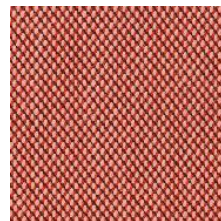
Hallingdal 65



Remix
(Coll. 65)



Atlas



Steelcut Trio
(Coll. 58)



Divina
Melange 3



Big Arrow

HAWORTH

Colours & Materials

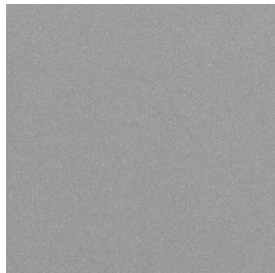
Finishes

Plastic Frame



Black

Aluminum Base



Titanium EC



Aluminum
structured black
EC



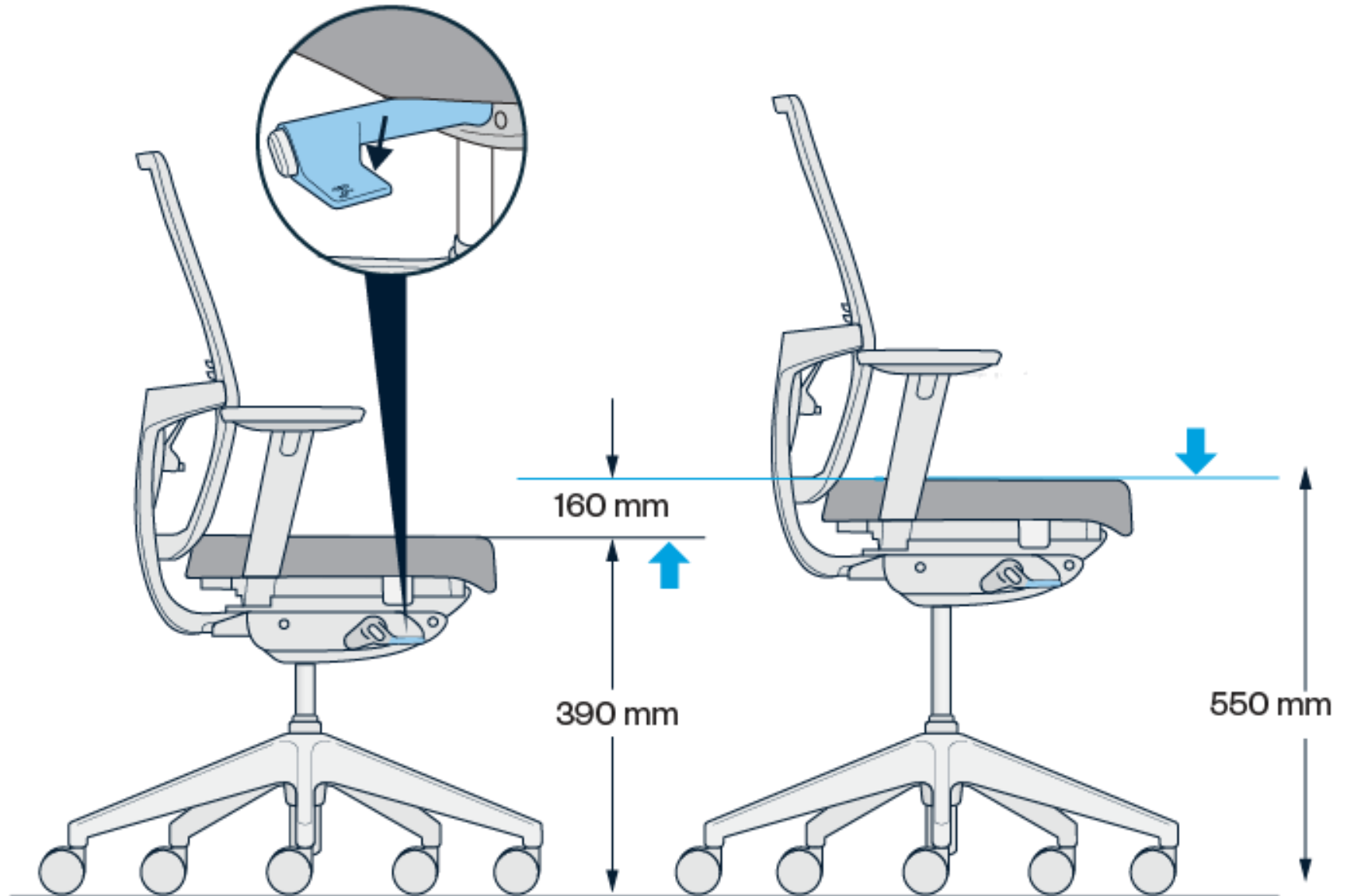
Polished Aluminum

Adjustments

Seat height adjustment

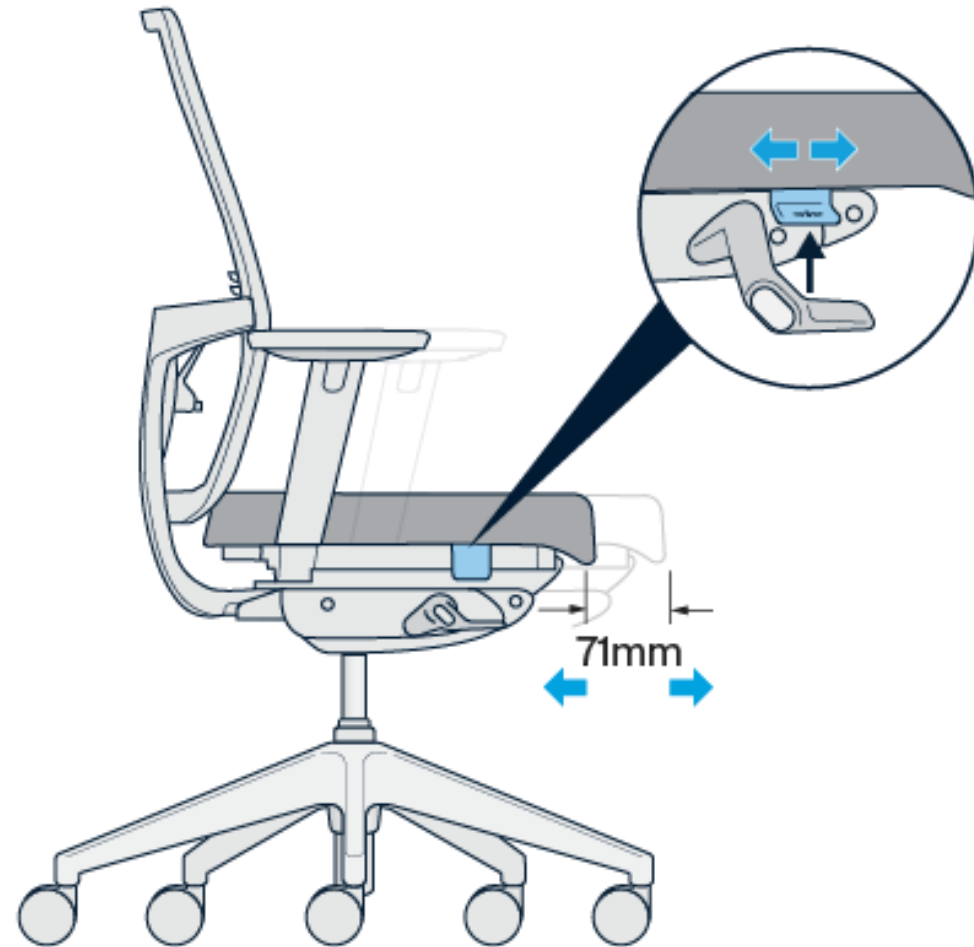
Pneumatic seat height adjustment.

Seat height adjusts 160 mm from 390 mm to 550 mm.



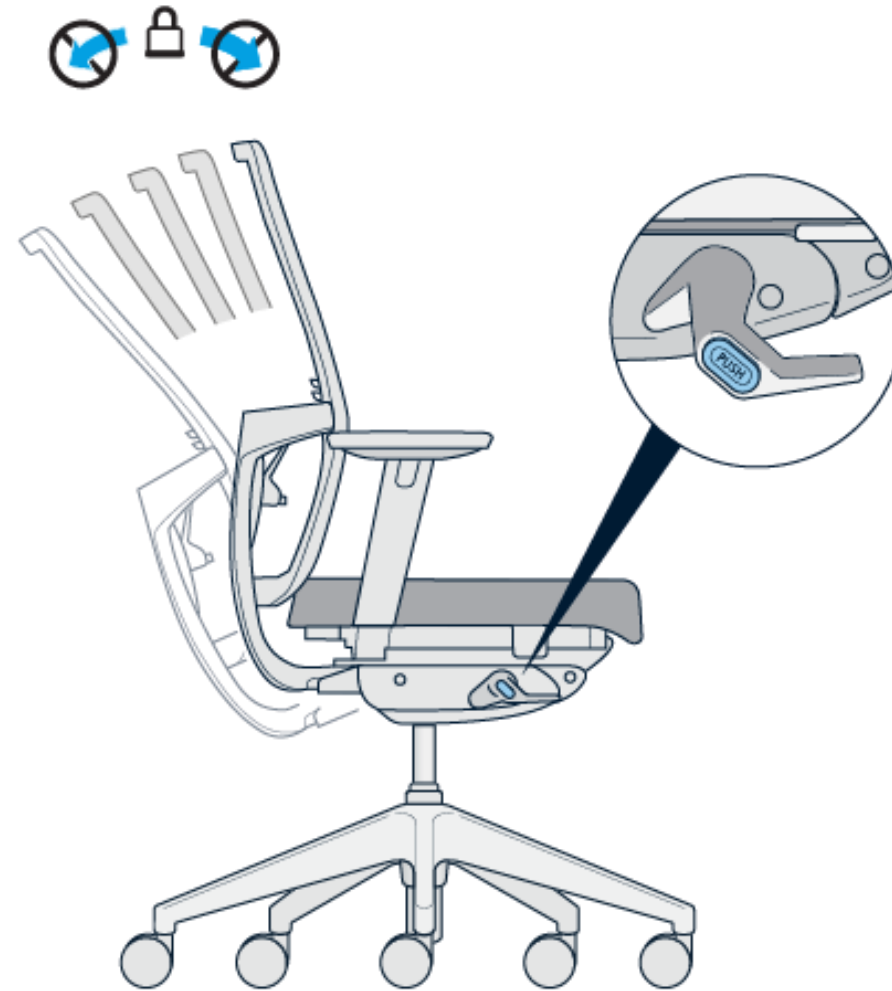
Seat depth adjustment

Seat depth adjustment moves the seat pan to accommodate different leg lengths. Pull up the lever and slide the seat pan front to back.



Back lock

Back lock allows users to lock the back of chair at upright position for task application. In total there are 5 back rest positions to fix.

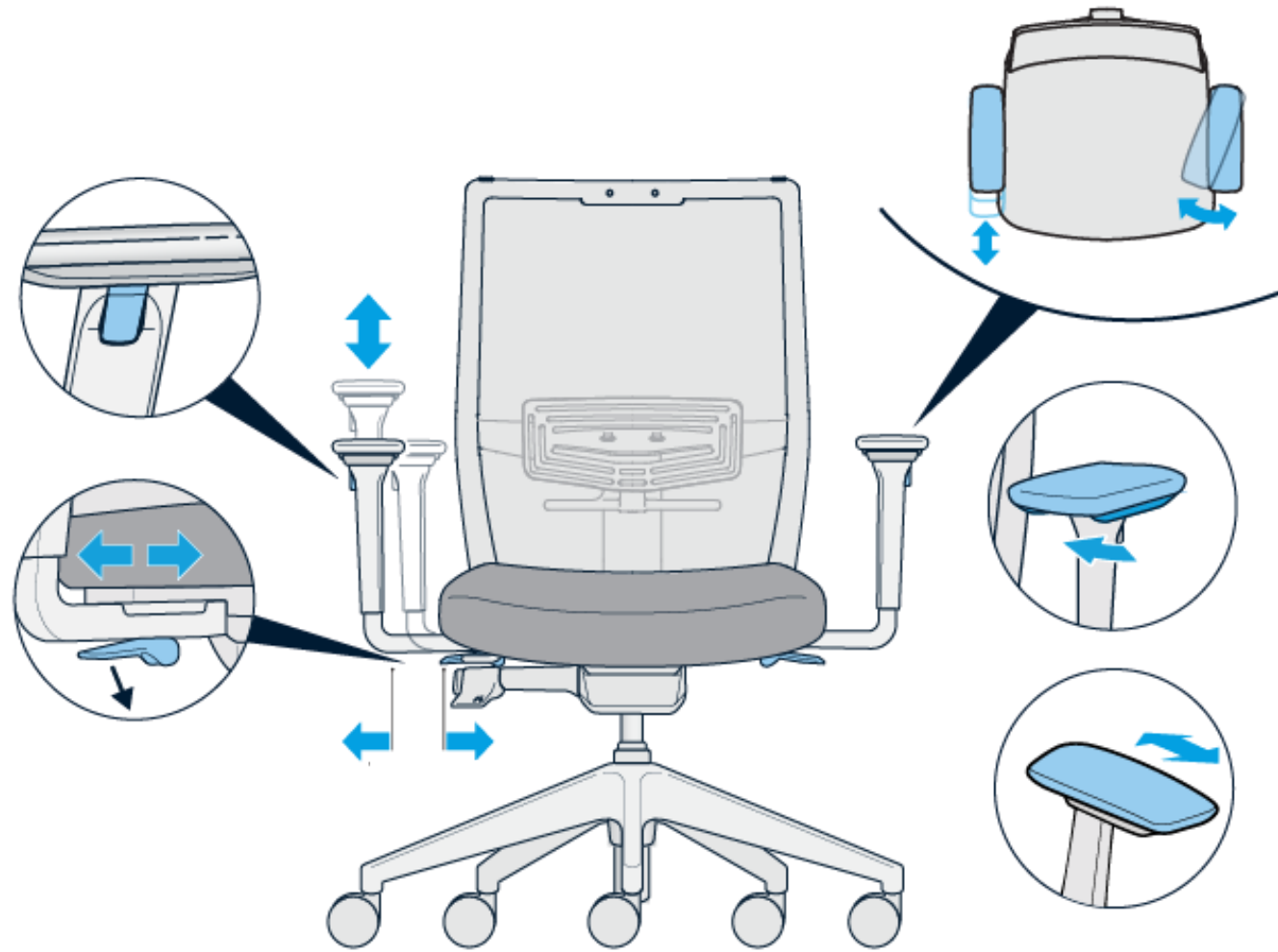


Armrests

4D arms

Allow user to adjust height, side to side, front-to-back, and angle.

Allow user to adjust distance between arm uprights.



Lumbar adjustment

Lumbar height adjustment allows the user to position the lumbar pad in the lumbar curve of the user's back.

Pull up on the handles to raise the lumbar pad; push down to lower it.

Lumbar support helps maintain the lumbar curvature (lordosis) in the spine of the lower back when the user is seated



Certifications

Certification

Aloha Active AX has the following certifications:

- GS sign
- PEDS

Certificates available [here](#).

Green Guard Gold expected end of 2023.



Zertifikat *Certificate*

Zertifikat Nr. / Certificate No.	Blatt / Sheet	Gültig ab	Valid from
S 60162974	0001	28.04.2022	(day/mo/yr)
Ihr Zeichen / Client Reference	Unser Zeichen / Our Reference	Längstens gültig bis	Latest expiration date
	0010-R.S.-DE22BYTB 002	27.04.2027	(day/mo/yr)

Genehmigungsinhaber / License Holder	Fertigungsstätte / Manufacturing Plant
Haworth GmbH Am Deisterbahnhof 6 31848 Bad Münder am Deister Deutschland	HAWORTH Portugal S.A. Estrada Consiglieri Pedroso 68 2745-552 Queluz de Baixo Portugal

Prüfzeichen / Test Mark	Geprüft nach / Tested acc. to
	DIN EN 1335-1/07.20 DIN EN 1335-2/04.19

Zertifiziertes Produkt (Geräteidentifikation) / Certified Product (Product Identification)	Lizenzgebühr - Einheit / License Fee - Unit
Bürostuhl / Office Chair Office Work Chair "Aloha AX"	

Seat height adjustable with KGS, type KGH, class 4. Synchronous mechanism lockable in 5 positions. Seat support made of plywood upholstered and covered with fabric. Backrest beam made of steel. Backrest frame made of plastic, covered with mesh. Height adjustable lumbar support made of plastic. 4D plastic armrests adjustable in height, depth and clear width as well as rotatable, attached to seat support. Aluminium base. Load-dependent braked double castors ø 60 mm, type H or W.

Dem Zertifikat liegt unsere Prüf- und Zertifizierungsordnung zugrunde. Die Anforderungen nach § 20 des Produktsicherheitsgesetzes sind erfüllt.
This certificate is based on our Testing and Certification Regulation. The provisions of EN 1335 Procter Safety Act are complied with.

TÜV Rheinland LCA Products GmbH, Tillystraße 2, 90431 Nürnberg
http://www.tuv.com/safety E-mail: markcheck@tuv.com
Fax: +49 221 898 3030

Ausstellungsdatum / Date of Issue: 28.04.2022. (day/mo/yr)

Zertifizierungsstelle



C. Prosch

HAWORTH

Europe | Product Environmental Data Sheet

Aloha Active AX

Seating

Aloha Active AX is a chair for special tasks. This addition to the Aloha family is designed to provide a comfortable, ergonomic sitting experience to the largest possible number of body shapes in the general population.


Aloha Active AX is manufactured in a zero landfill, ISO 9001 and ISO 14001 certified facility in Portugal. This product can be easily disassembled at the end of its useful life. This product is designed to endure and is made of long-lasting, high quality materials. It has replaceable wearing parts for easy disassembly. When a product reaches the end of its useful life, customers and partners are encouraged to avoid landfilling and instead pursue second life options.

Material	Material Weight	
Plastic	5,4 kg	(34%)
Steel	5,2 kg	(33%)
Aluminum	2,2 kg	(14%)
Plywood	1,4 kg	(9%)
Fabric	0,8 kg	(5%)
Foam	0,7 kg	(4%)
Other	0,0 kg	(0%)
Total	15,8 kg	(100%)

We believe that our products should be safe for humans and the environment and work diligently to identify and eliminate chemicals of concern in the materials we source. We consider applicable legal requirements (e.g. REACH, RoHS), sustainable product certifications, and our own standards as part of our sustainability strategy.

Aloha Active AX material inventory:

No Polyvinyl Chloride (PVC)
No Persistent Organic Pollutants (POP)
No heavy metals (hexavalent chrome, lead, mercury)
Chlorofluorocarbons (CFC) not used as blowing agents for foam.
Adhesives used to manufacture components are solvent-free.
Metal parts are powder coated.
Sustainable fabrics available (e.g., Eli EcoLabel, Oeko Tex Standard 100).



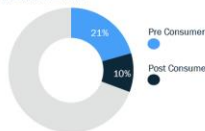
Europe | Product Environmental Data Sheet

Life Cycle Assessment (LCA)

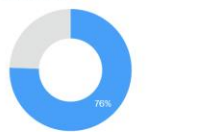
to better understanding and reducing the impacts of our products and operators. (LCAs) are tools which allow us to evaluate the environmental impacts of our products from cradle-to-grave, including material extraction, pre-processing, production, use and maintenance, and end-of-life.

provide value in the identification of cost drivers, optimization of design and material evaluation, and transportation decision making. Environmental criteria, as well as ultimately reducing the environmental footprint through continuous improvement.

Recycled Content



Recyclability



Please note that calculations of recycled content are based on the displayed product configuration. Data is provided by suppliers (preferably), industry averages or other broadly based information. Our purpose is to provide the most accurate recycled content calculations possible but variability in market conditions or manufacturing processes may result in higher or lower content than indicated. Depending on the available waste management infrastructures, effective recyclability can be higher.

Hazardous Material Reduction
Oeko Tex Standard 100 certified textiles available against RoHS restrictions.

Volatile Compound Reduction
Free of halogenated flame retardants. Screened for presence of restricted phthalates. Meets GREENGUARD GOLD or Indoor Air Certified.

Long-Term Emission Control
Meets GREENGUARD GOLD or Indoor Air Certified.

Material Transparency
Assessment per European LEVEL certification inventory for select products.

O2 Ergonomic Workstation Design and Setup
Adjustable height computer monitor arms. Adjustable height adjustable desks and tables. Adjustable task seating products.

© 2022 Haworth. 07.2023

Thank you