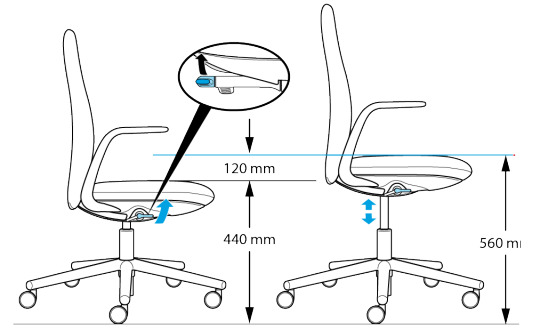


## 1 Seat Height Adjustment

Pneumatic height adjustment is used to adjust the seat to fit different user heights. (1) Pull the lever up and lift the body out of the chair to raise the seat. (2) To lower the seat, remain seated and pull the lever up.

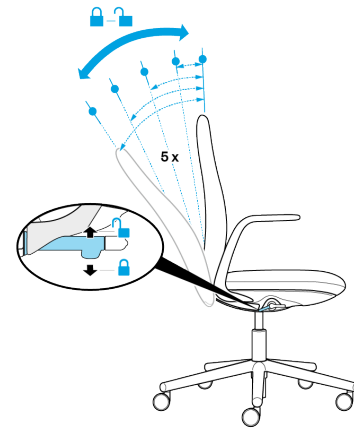
Seat height adjusts 120 mm from 440 mm to 560 mm on standard models and 229 mm from 590 mm to 819 mm on stool model.



## 2 Back Lock

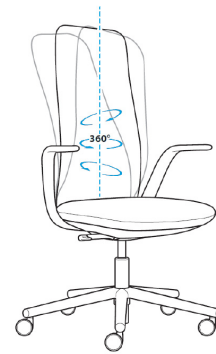
Back lock allows users to lock the back of chair at upright position for task application. (1) Pull up on the lever to activate back lock. (2) Push down on the lever to release.

Single position back lock to fix the backrest in the upright position. In total there are 5 back rest positions to fix.



## 3 Pivoting Mechanism(optional)

A unique pivoting back accommodation mechanism allows quickly adapt to user postures without complicated adjustment controls. Pivoting mechanism is self adjusting and moves in combination with the seating mechanism to create 360° movement.



## 4 Arm adjustment (for height-adjustable armrest models only)

Height-adjustable armrests support the musculature of the neck and shoulders when it's set properly. Grasp the armrest and slide the armrest up or down as needed.

There are three different positions available.

- To raise the armrest, grasp the armrest and slide it up to the desired position.
- To lower the armrest, (1) grasp the armrest, slightly move it up, and then (2) slide it down to the desired position.

