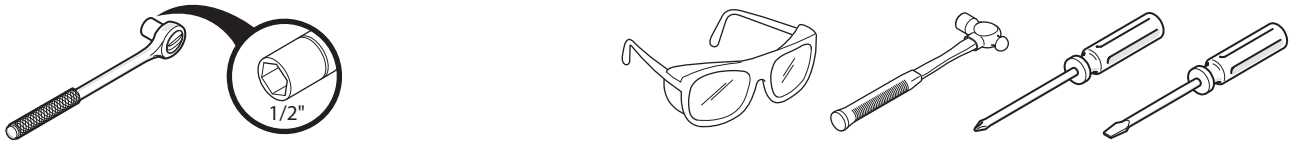




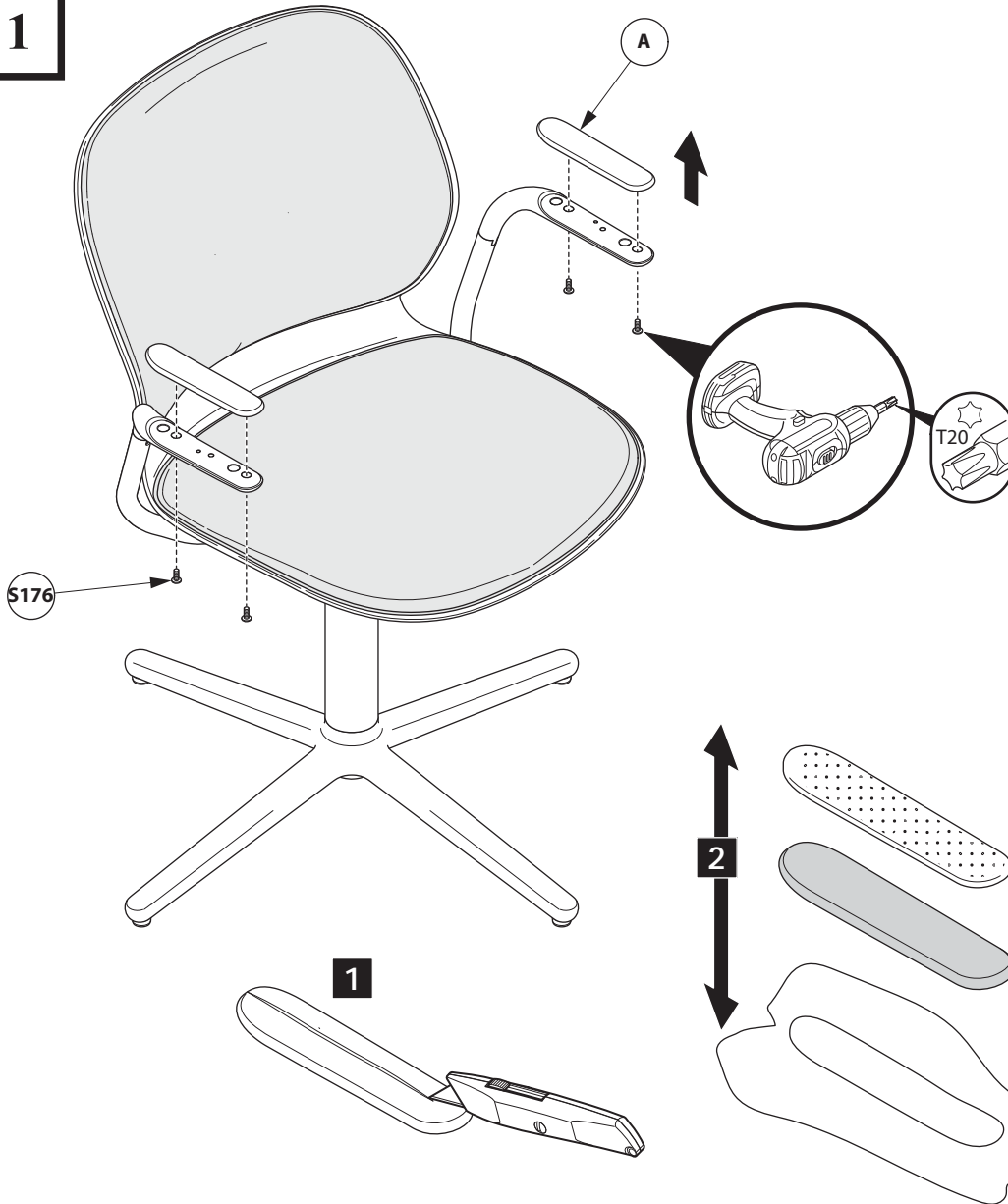
**MAARI®**  
**4 Star & 5 Star Bases**  
 Disassembly & Recycling Instructions

**Tools Required**



RECYCLE BINS	
STEEL	
FOAM	
PLASTIC	
MATERIAL/LEATHER	

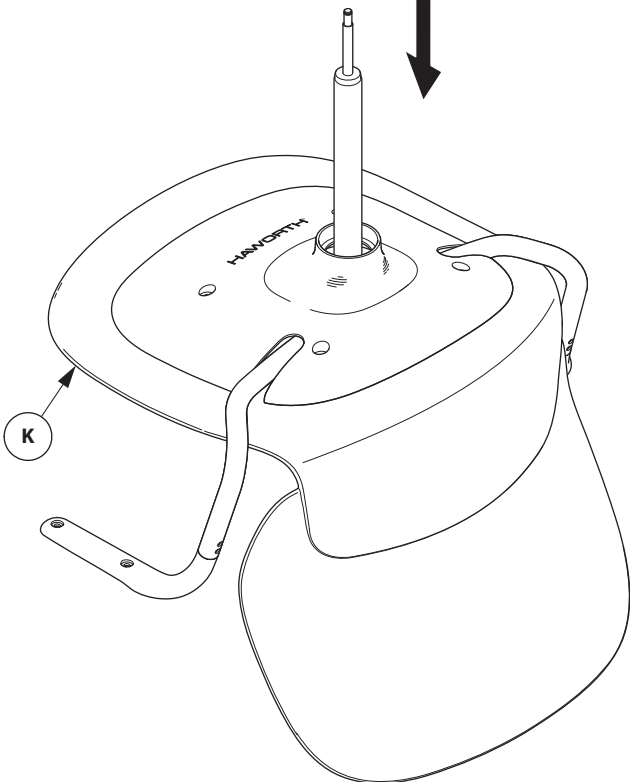
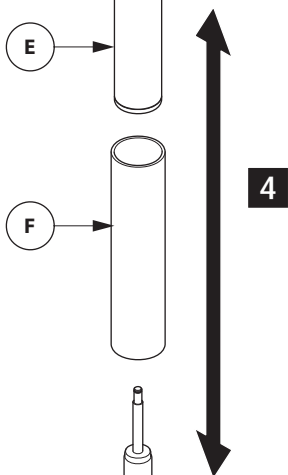
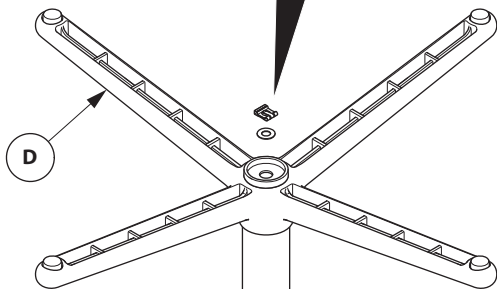
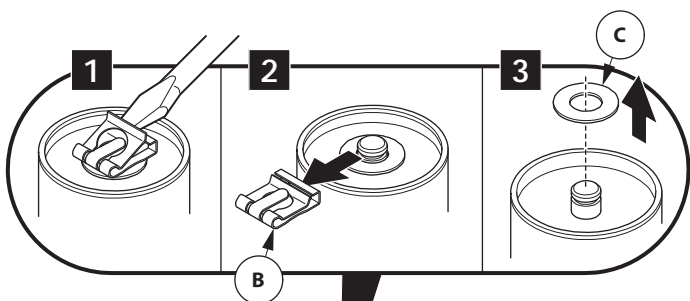
**1**



CUSTOMER SERVICE PHONE: 1-800-426-8562

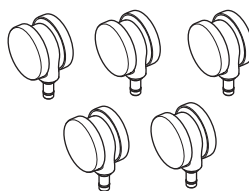
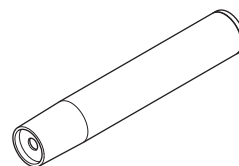
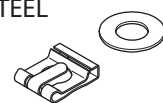
2

Remove base (D) / Reverse to install

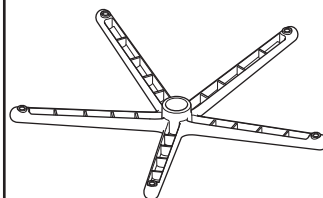
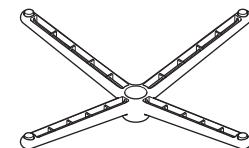


RECYCLE BINS

STEEL



ALUMINUM



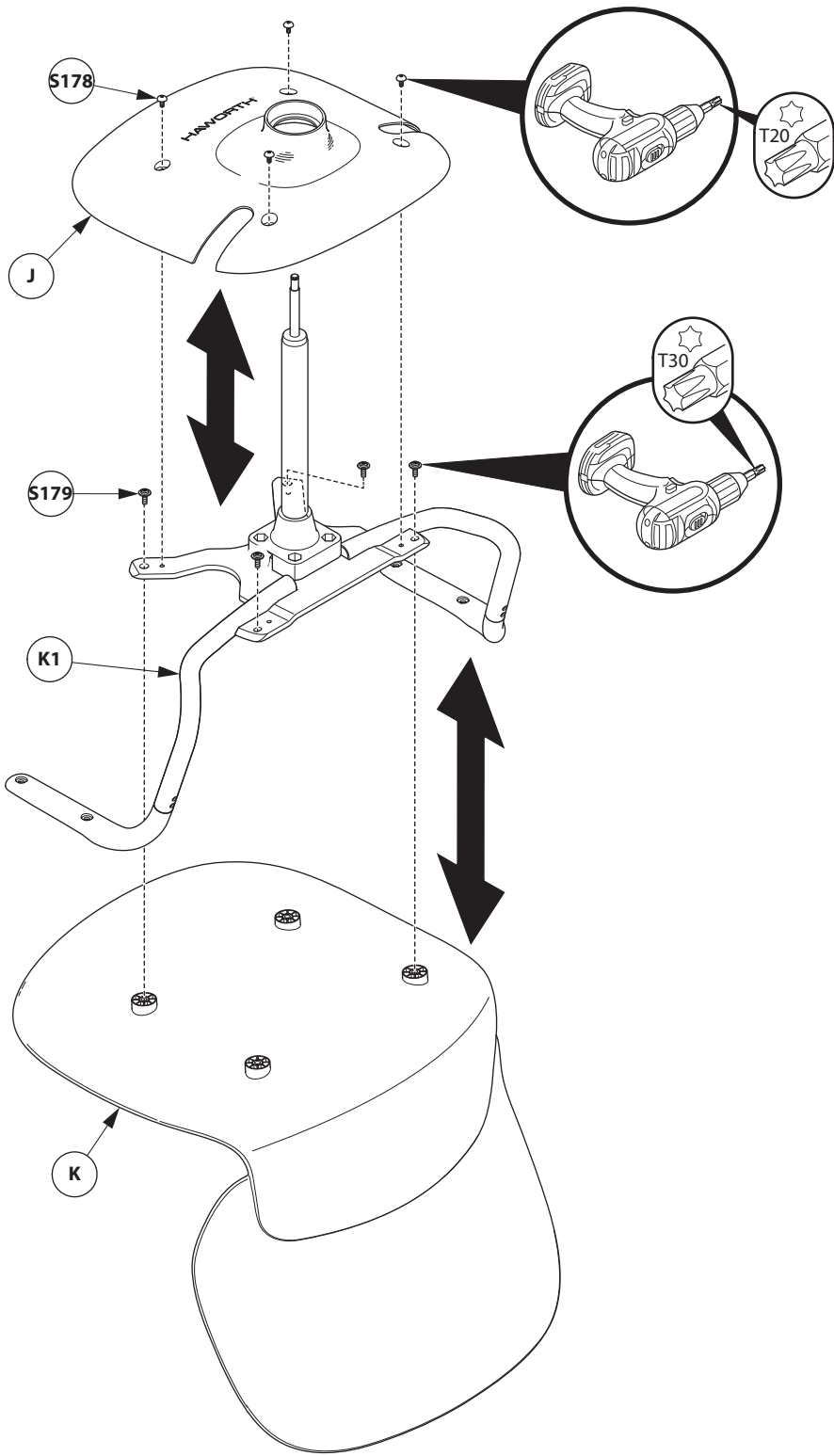
RUBBER



PLASTIC



3



RECYCLE BINS

STEEL

This section lists steel components. It shows two rows of screws: the top row has four screws with hex heads, and the bottom row has four screws with hex heads and washers. Below the screws is a diagram of the chair frame assembly, showing the central post and the base structure.

PLASTIC

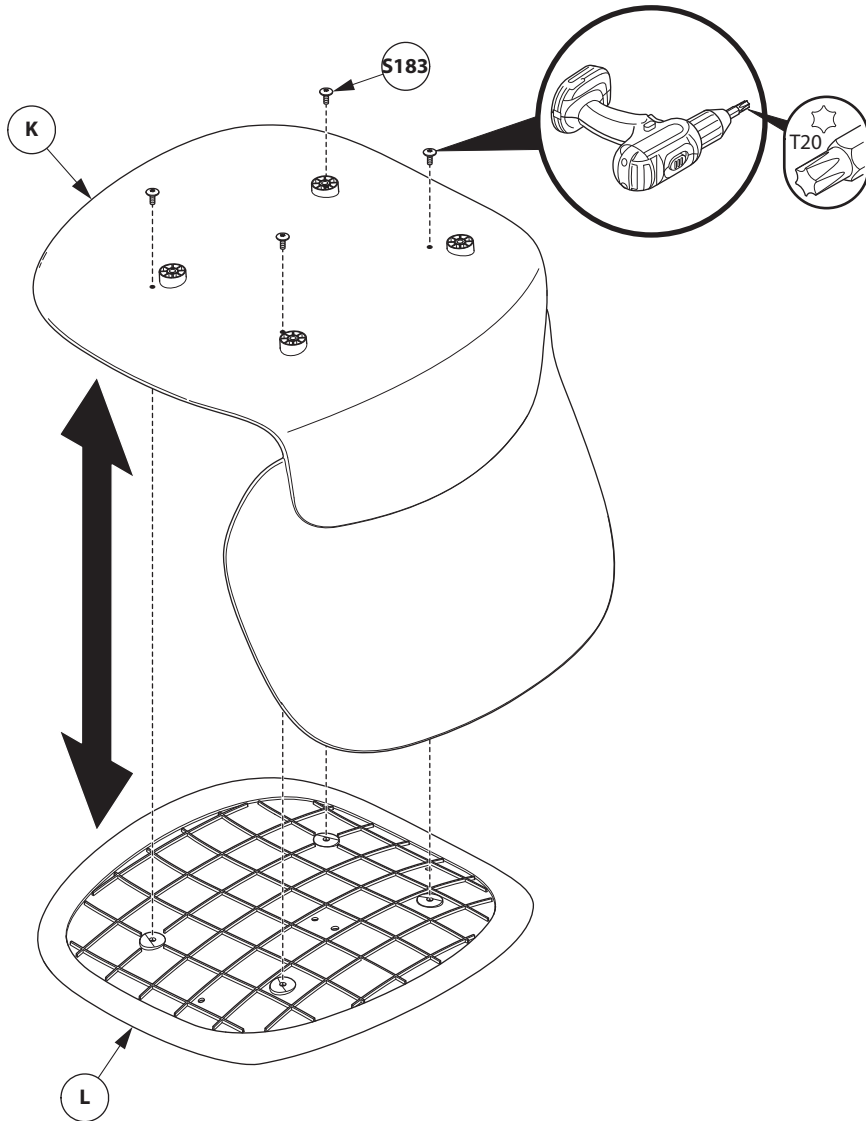
This section lists plastic components. It shows a diagram of the seat base (K) and a diagram of the seat cushion, which is a large, curved, rectangular piece with four pre-drilled holes corresponding to the seat base.

CUSTOMER SERVICE PHONE: 1-800-426-8562

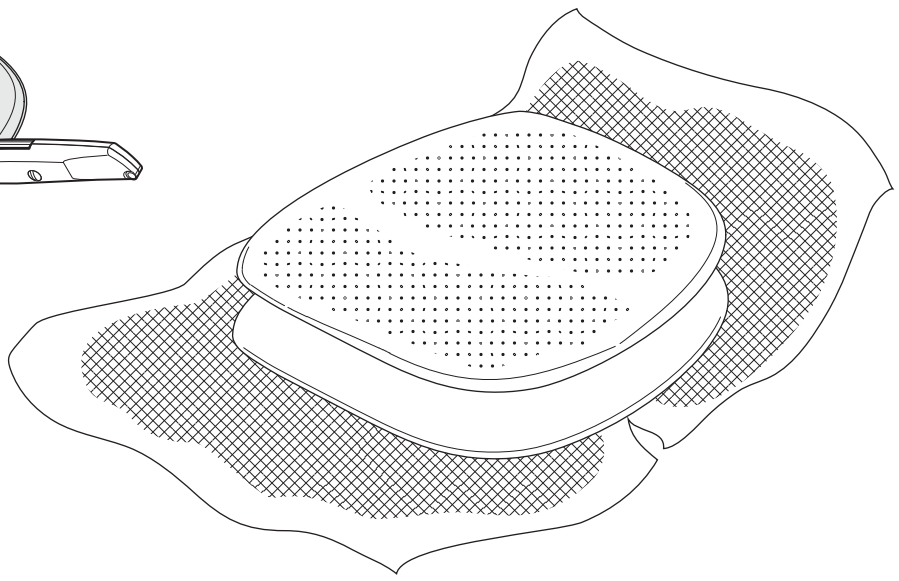
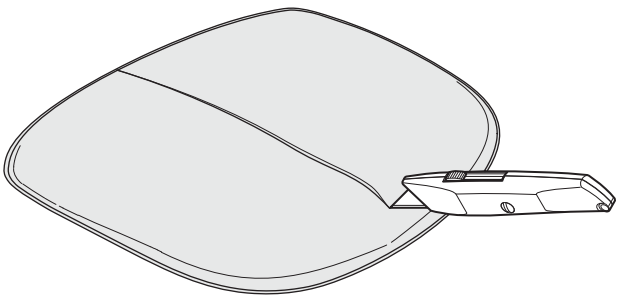
HAWORTH®

Page: 3 OF 4

4



RECYCLE BINS	
STEEL	
PLASTIC	
FOAM	
MATERIAL	



CUSTOMER SERVICE PHONE: 1-800-426-8562

HAWORTH®

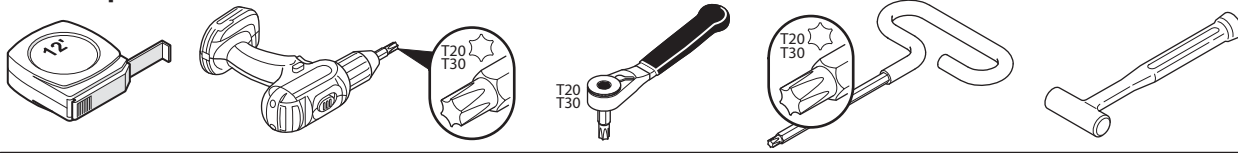
Page: 4 OF 4



# MAARI® Wood Bases

## Disassembly & Recycling Instructions

### Tools Required



### SIDE CHAIR

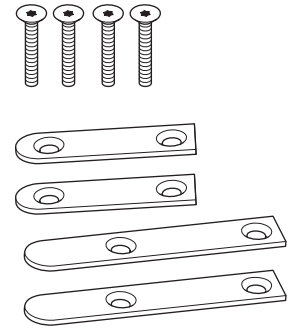


### STOOL

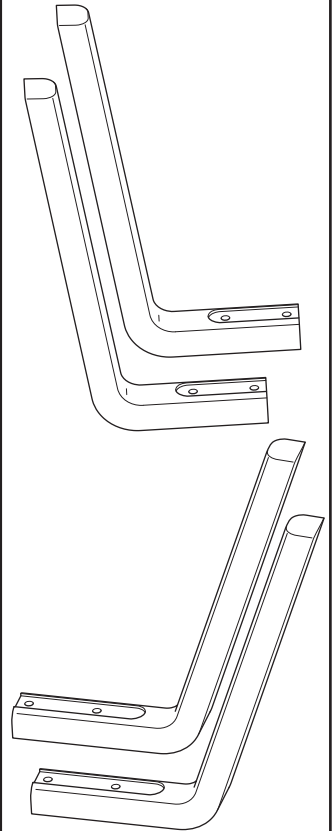


### RECYCLE BINS

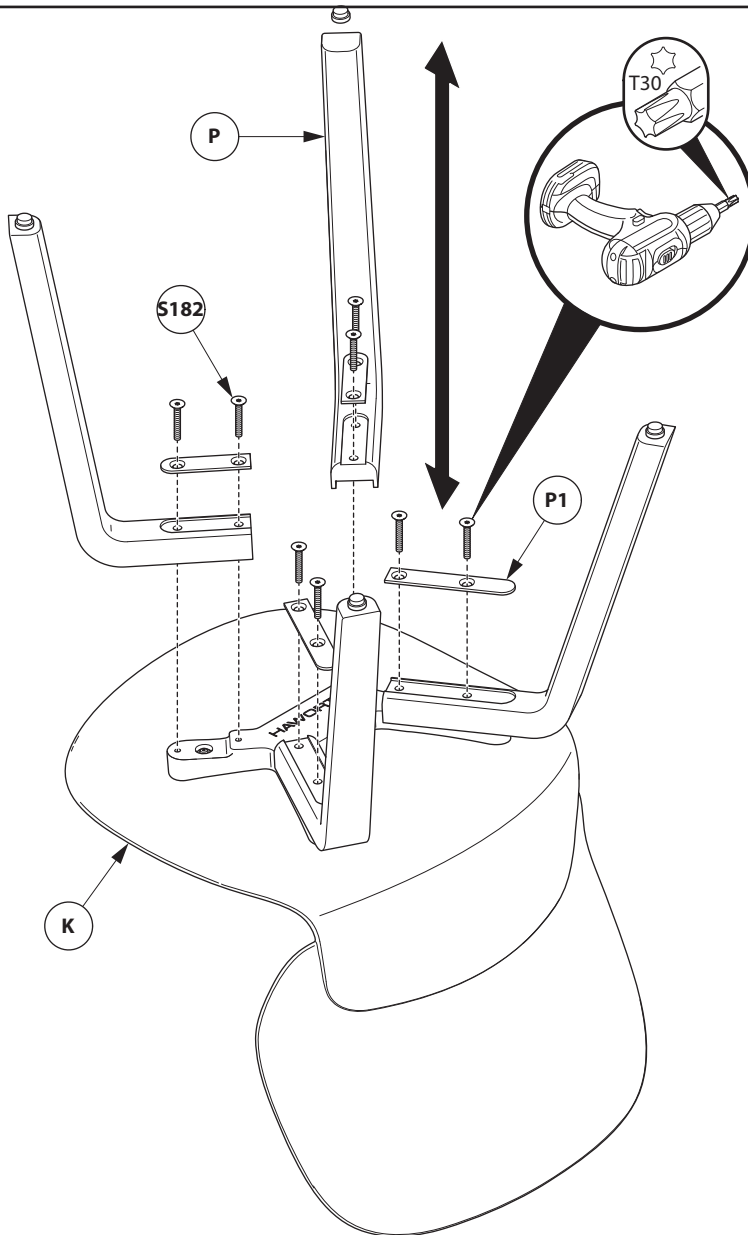
#### STEEL



#### WOOD



**1a**



CUSTOMER SERVICE PHONE: 1-800-426-8562

**HAWORTH®**

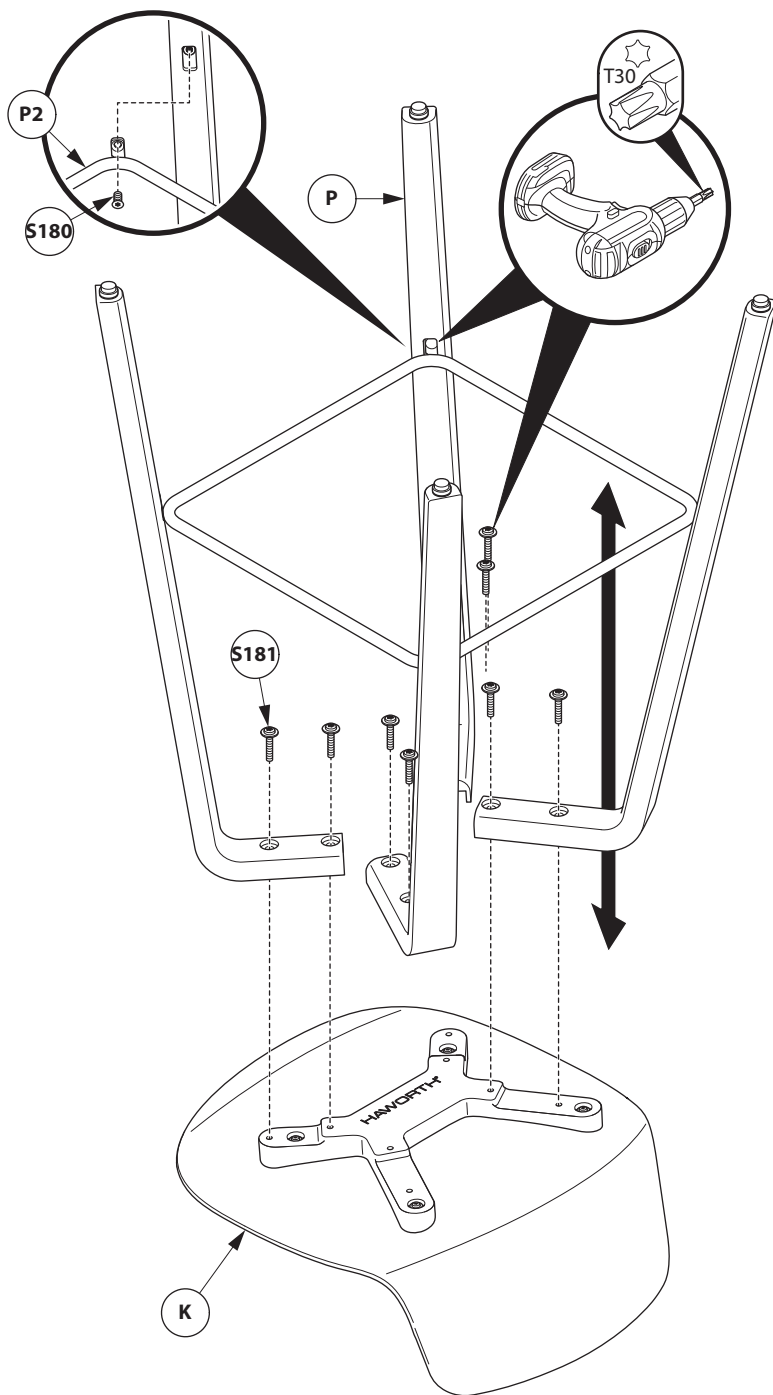
E.C.O. No: 5\_12027L

Page: 1 of 4

Part No: 6100-0098

Rev: 1

1b



RECYCLE BINS

**STEEL**

This section shows the steel components required for assembly: four screws, four nuts, and a diamond-shaped metal frame.

**WOOD**

This section shows the wood components required for assembly: two L-shaped metal brackets and two long metal rods.

CUSTOMER SERVICE PHONE: 1-800-426-8562

**HAWORTH**<sup>®</sup>

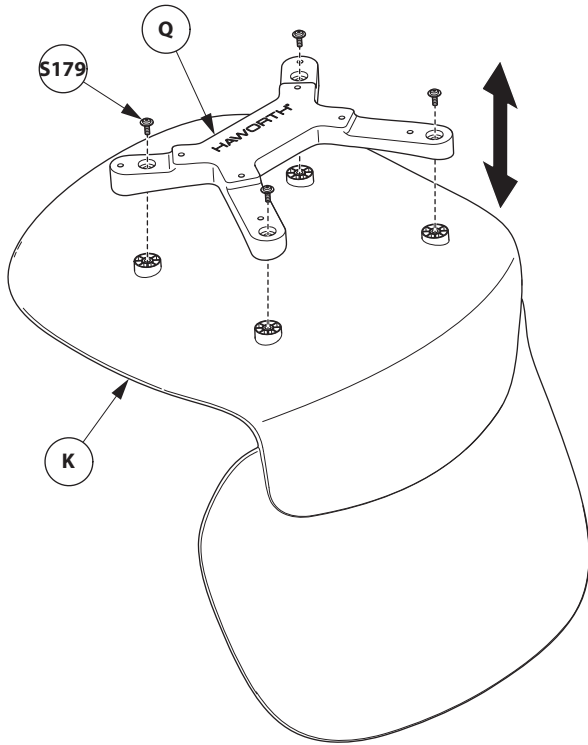
E.C.O. No: 5\_12027L

Page: 2 of 4

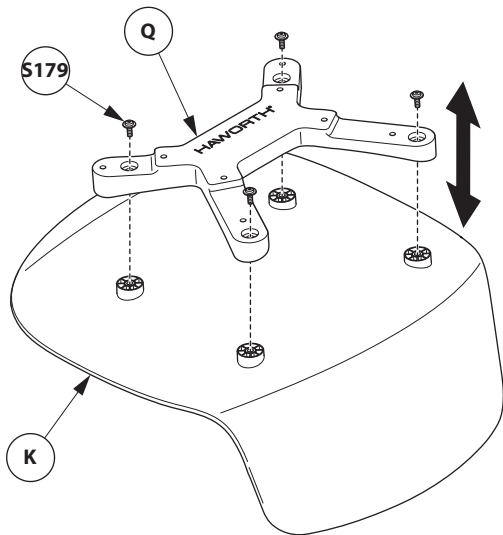
Part No: 6100-0098

Rev: 1

2

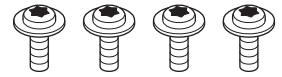


OR

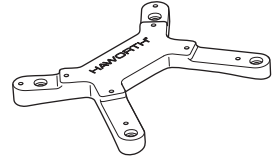


RECYCLE BINS

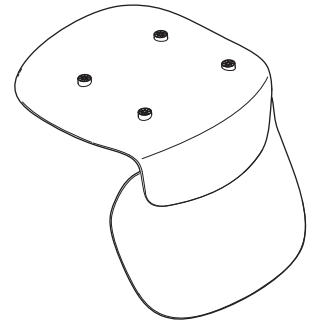
STEEL



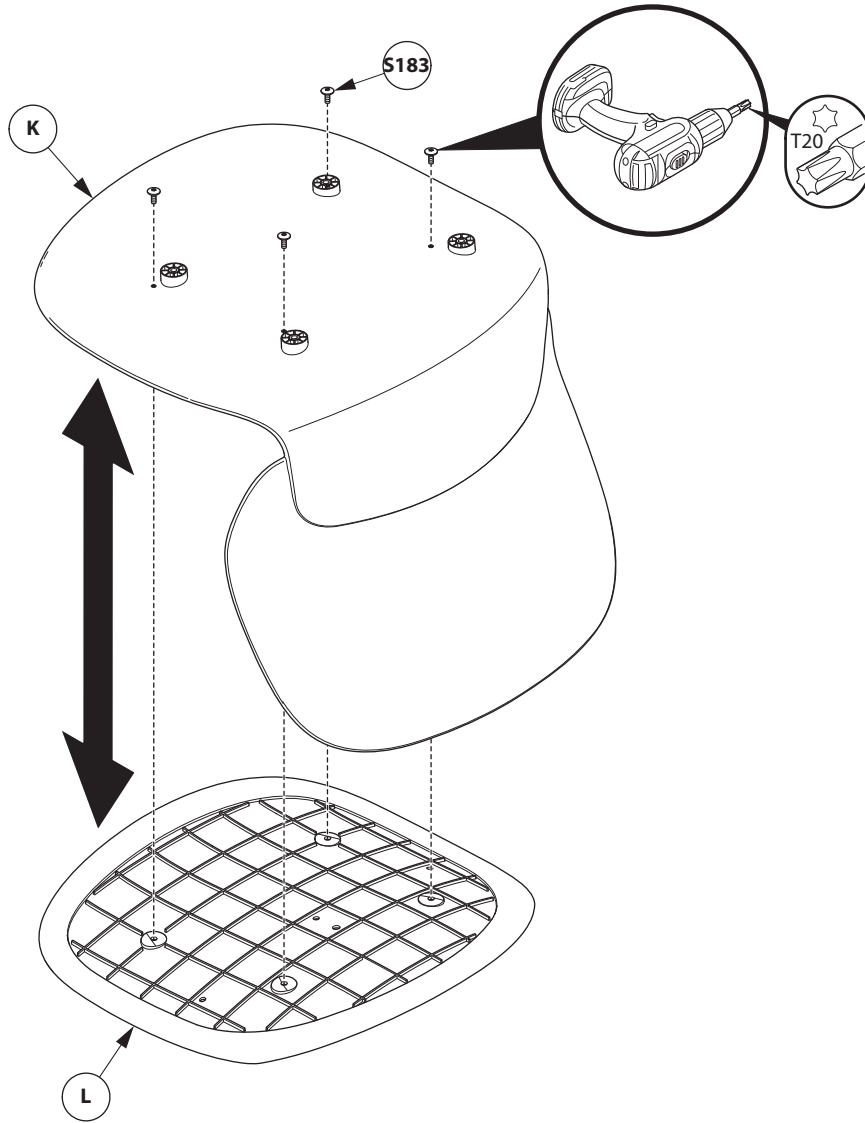
ALUMINUM



PLASTIC

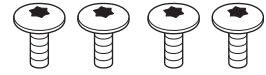


3

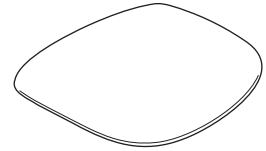


RECYCLE BINS

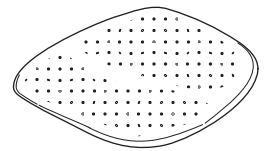
STEEL



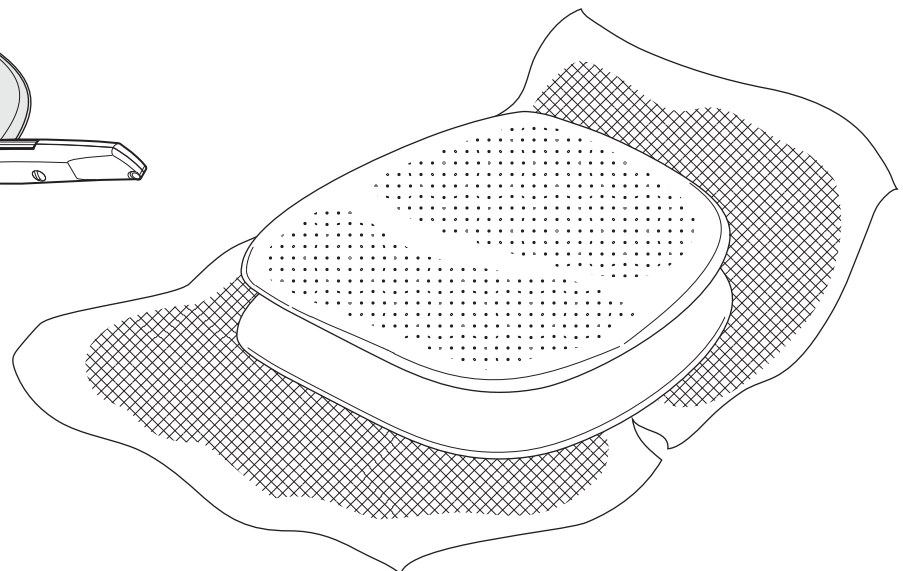
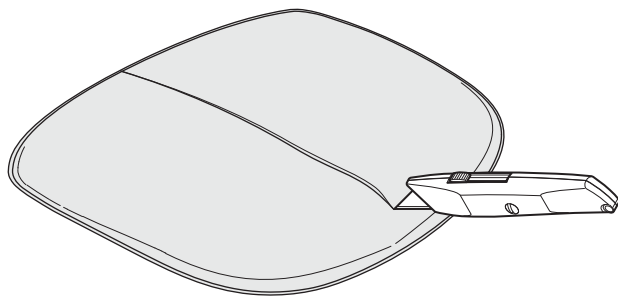
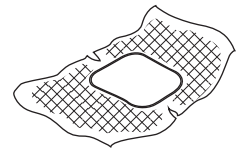
PLASTIC



FOAM



MATERIAL

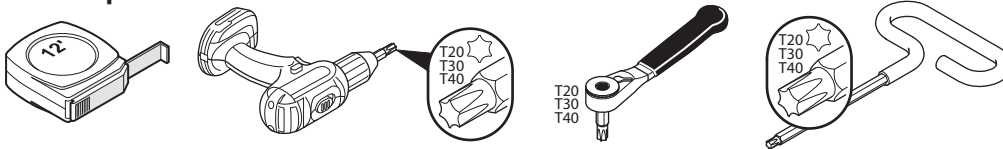






**MAARI®**  
**Wire Bases**  
 Disassembly & Recycling Instructions

**Tools Required**



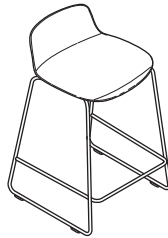
**SIDE CHAIR**



**SIDE CHAIR**

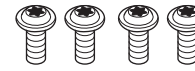


**STOOL**



**RECYCLE BINS**

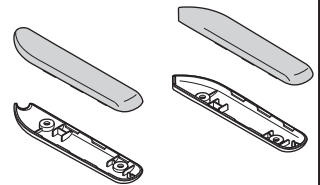
**STEEL**



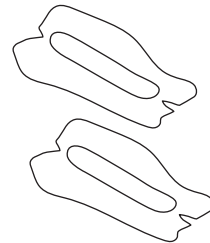
**FOAM**



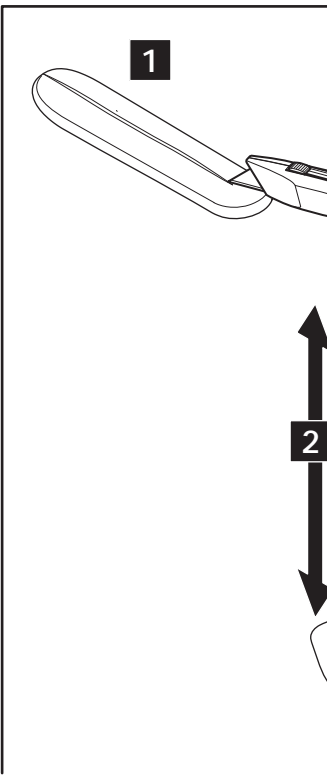
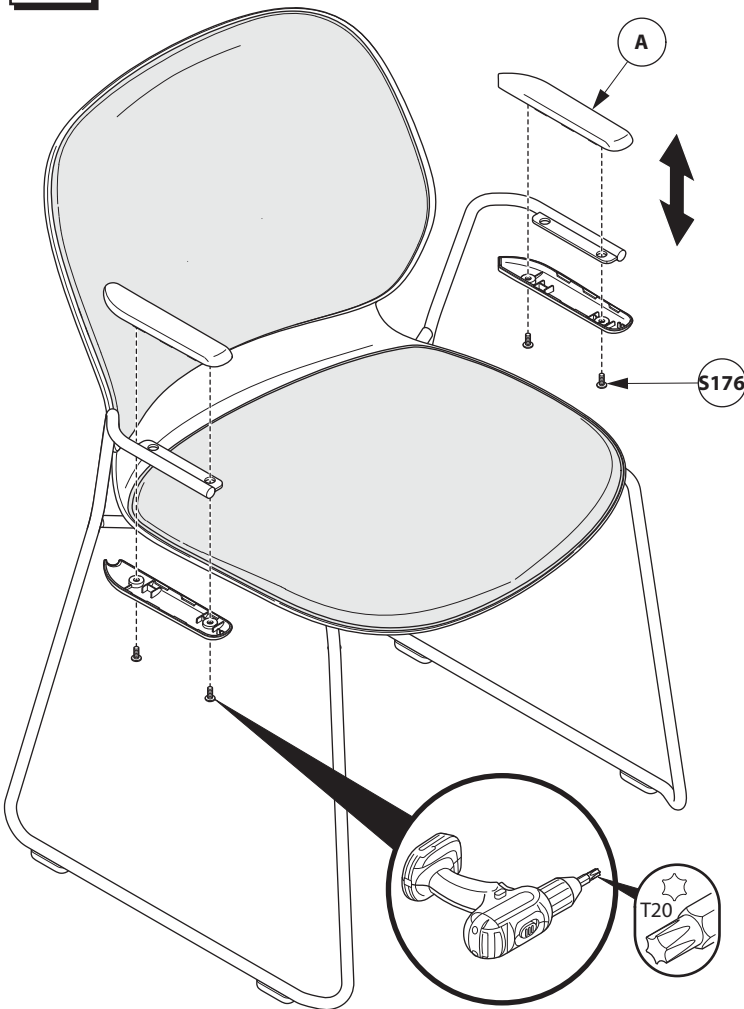
**PLASTIC**



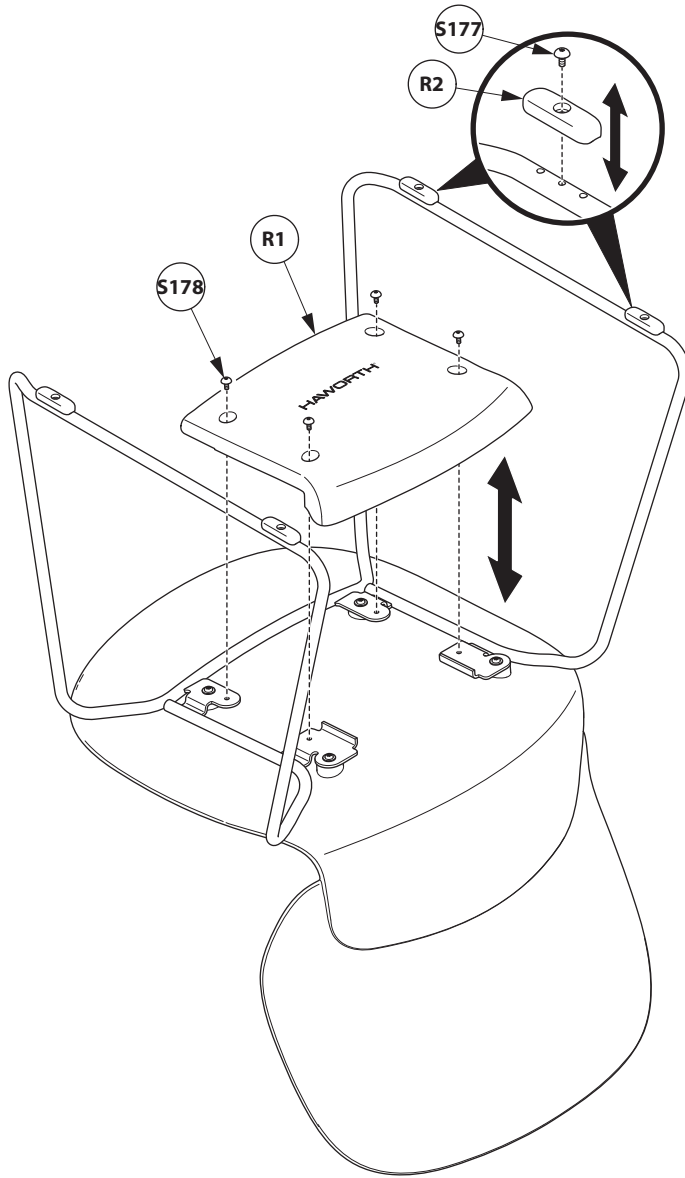
**MATERIAL/LEATHER**




**1**

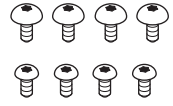


CUSTOMER SERVICE PHONE: 1-800-426-8562

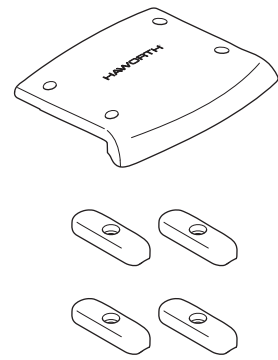


 RECYCLE BINS

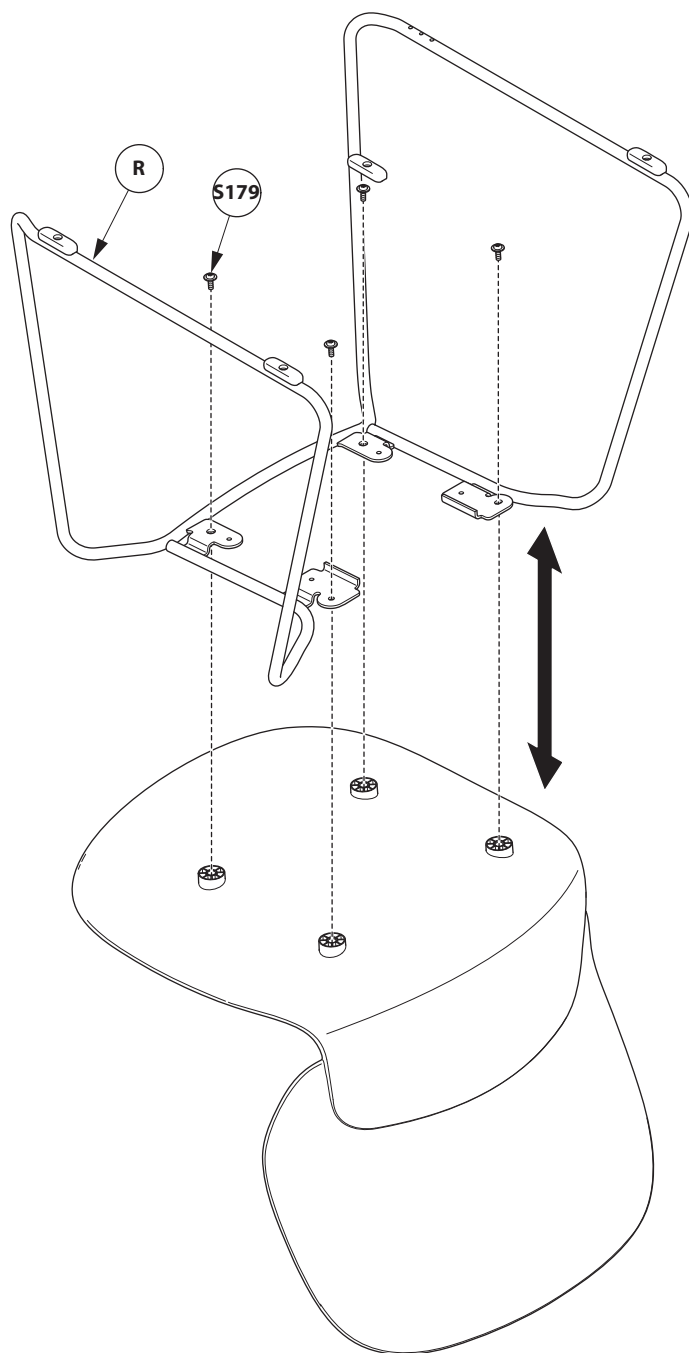
STEEL



PLASTIC

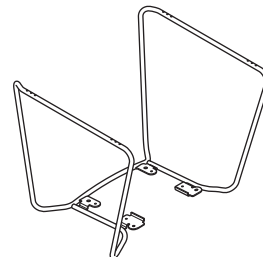
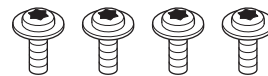


4

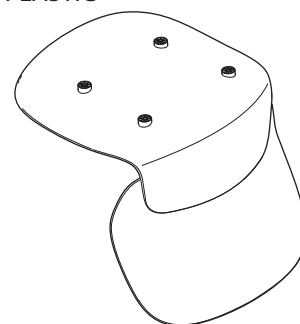


 RECYCLE BINS

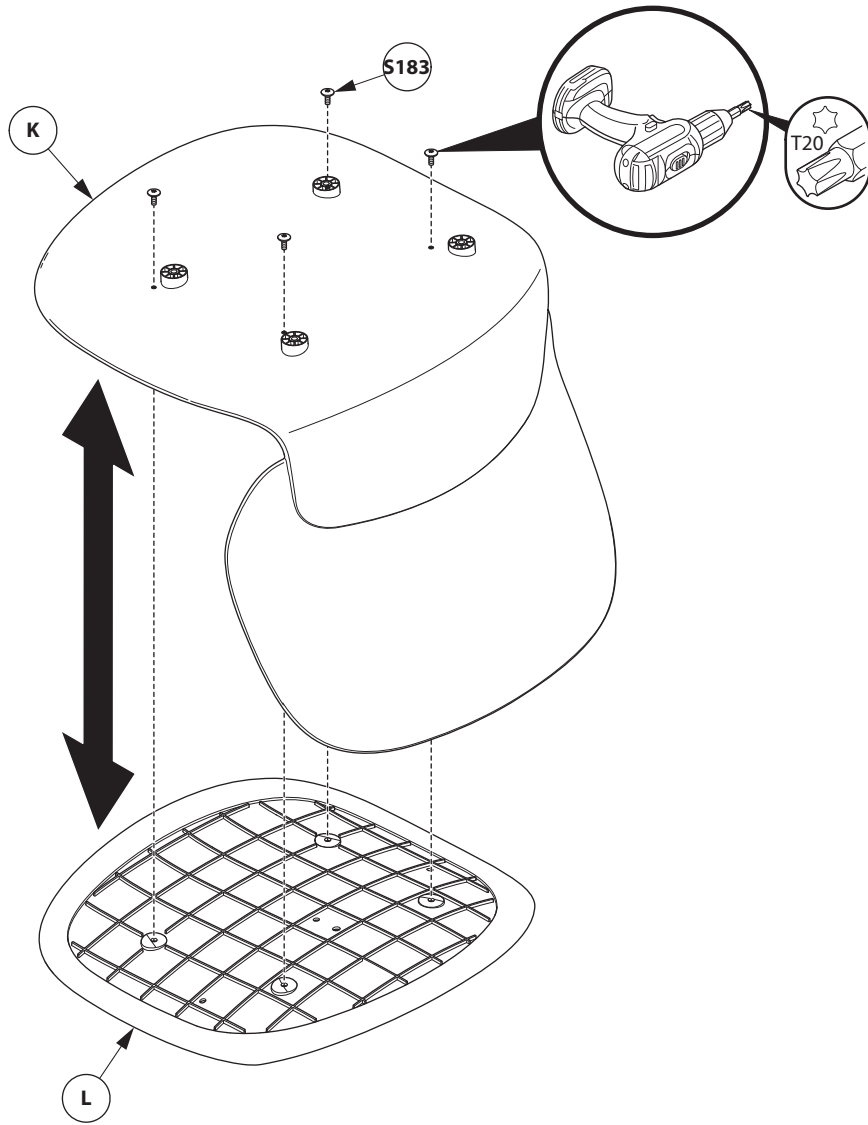
STEEL



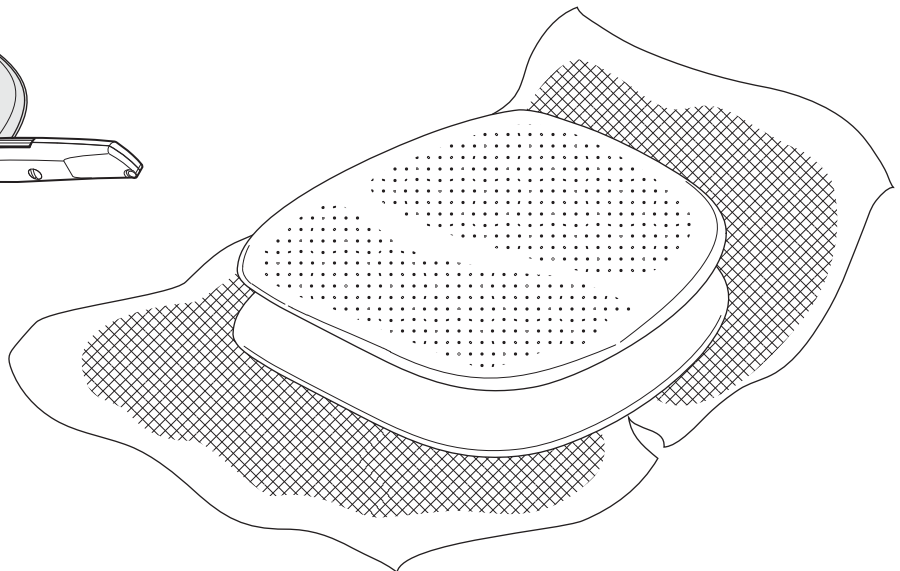
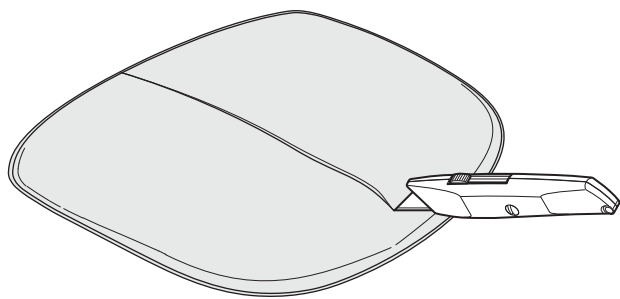
PLASTIC



3



RECYCLE BINS	
STEEL	
PLASTIC	
FOAM	
MATERIAL	



CUSTOMER SERVICE PHONE: 1-800-426-8562

HAWORTH®

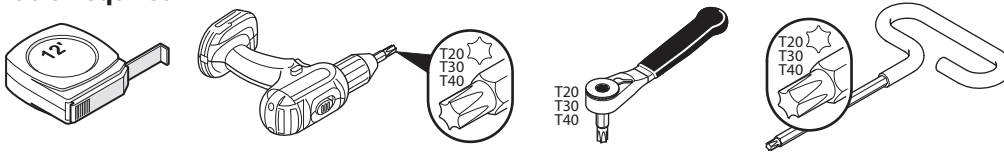


MAARI®

Tube Bases

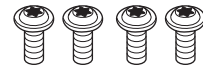
Disassembly & Recycling Instructions

Tools Required



RECYCLE BINS

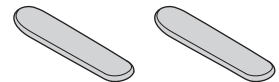
STEEL



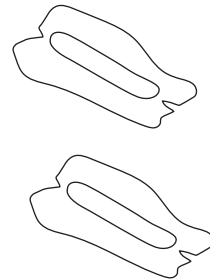
FOAM



PLASTIC



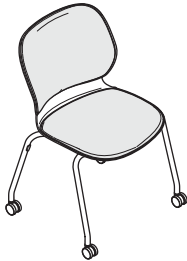
MATERIAL/LEATHER



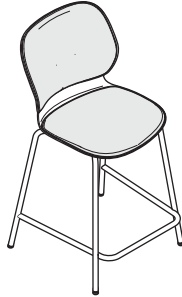
SIDE CHAIR



SIDE CHAIR  
(Casters)



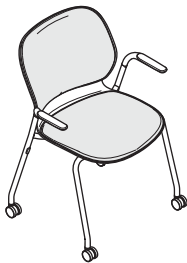
STOOL



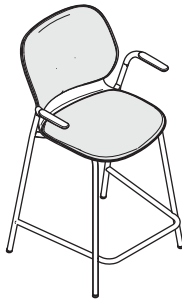
SIDE CHAIR  
(Arms)



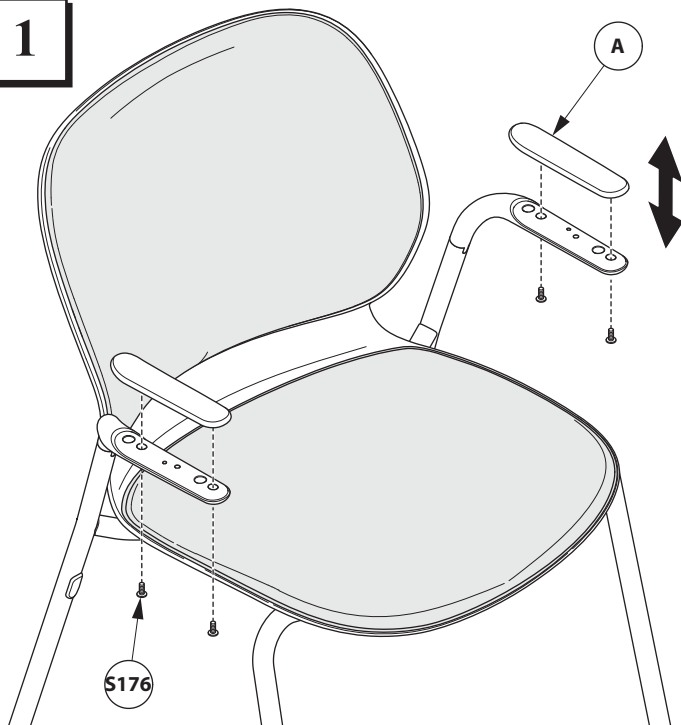
SIDE CHAIR  
(Arms & Casters)



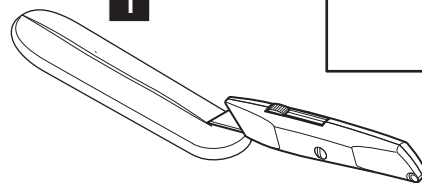
STOOL  
(Arms)



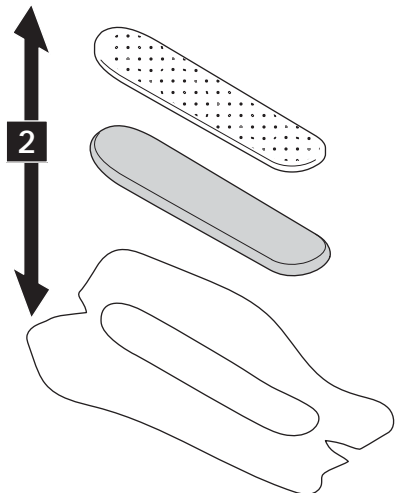
1



1



2



CUSTOMER SERVICE PHONE: 1-800-426-8562

HAWORTH®

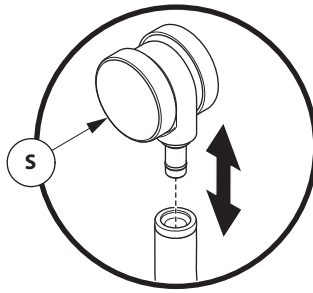
E.C.O. No: 5\_12027L

Page: 1 of 4

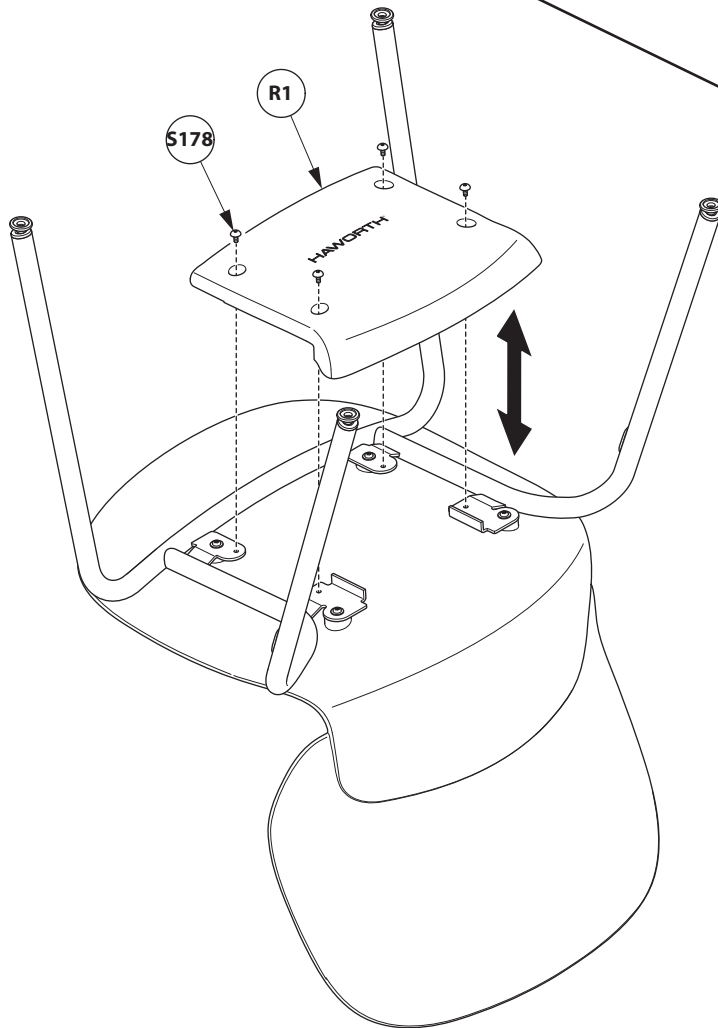
Part No: 6100-0098

Rev: 1

2

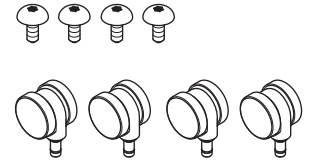


OR

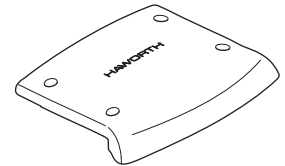


RECYCLE BINS

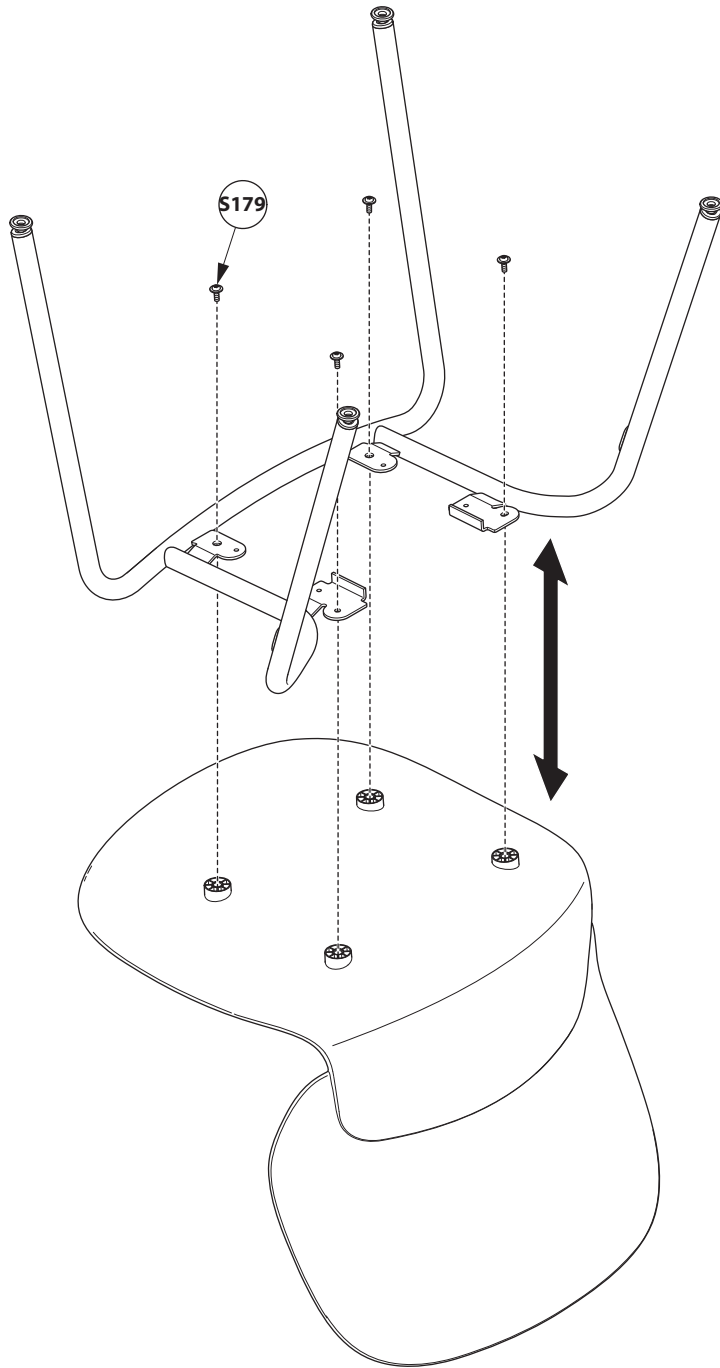
STEEL



PLASTIC

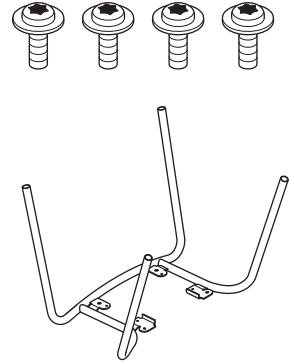


3

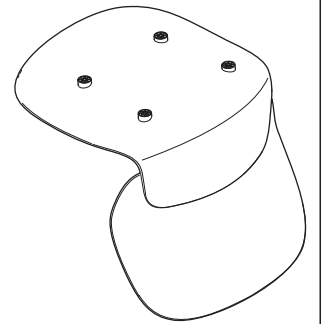


RECYCLE BINS

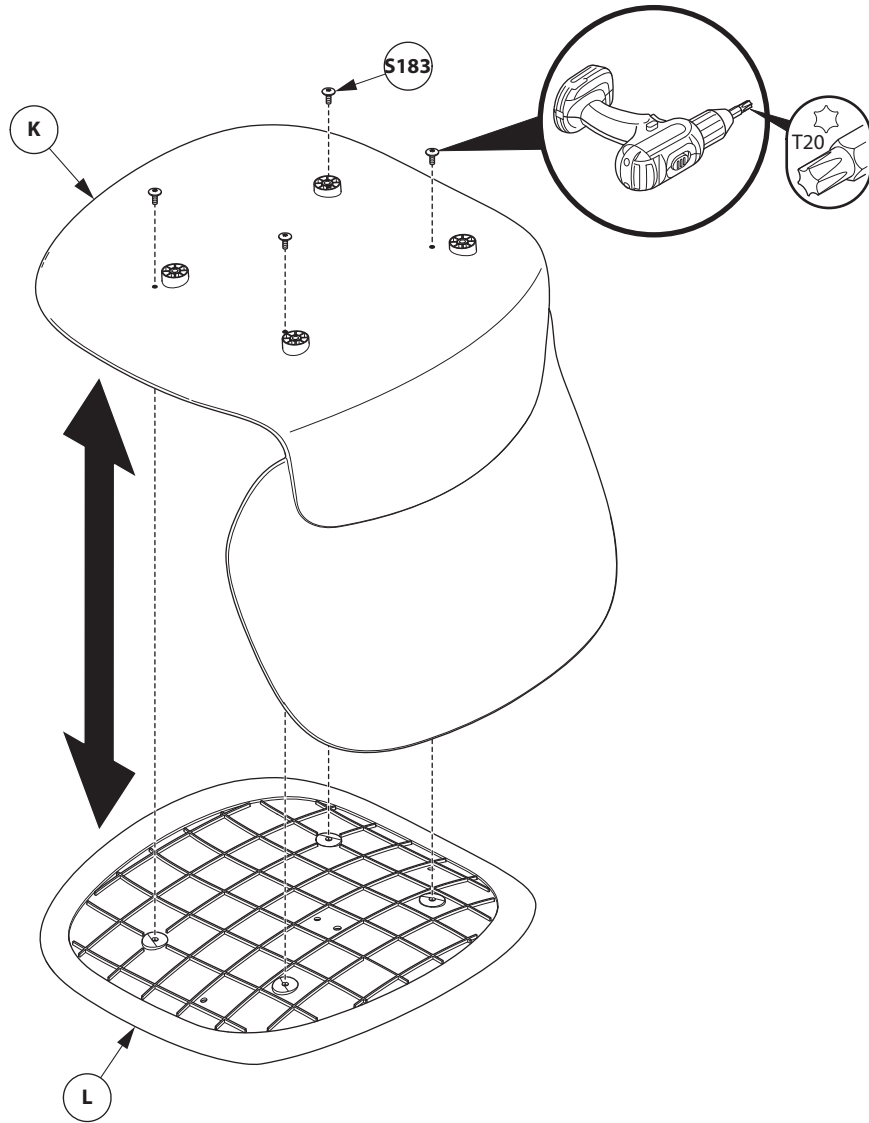
STEEL



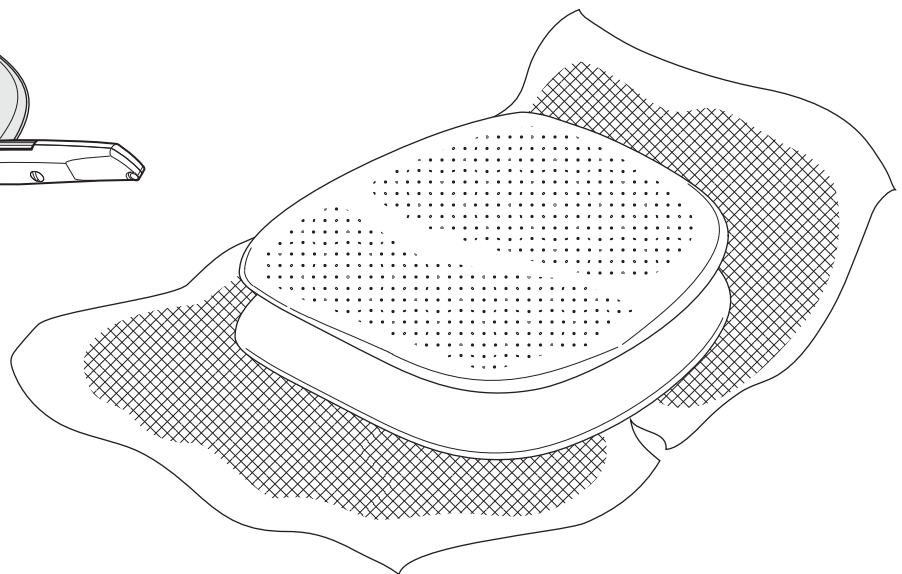
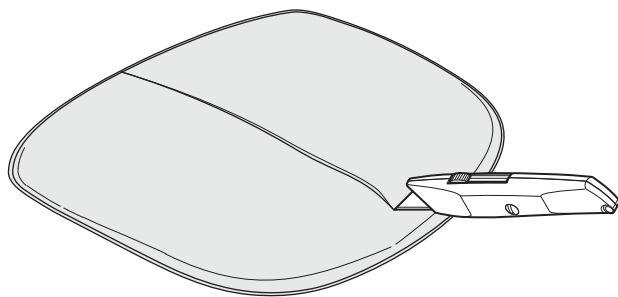
PLASTIC



4



RECYCLE BINS	
STEEL	
PLASTIC	
FOAM	
MATERIAL	



CUSTOMER SERVICE PHONE: 1-800-426-8562

HAWORTH®