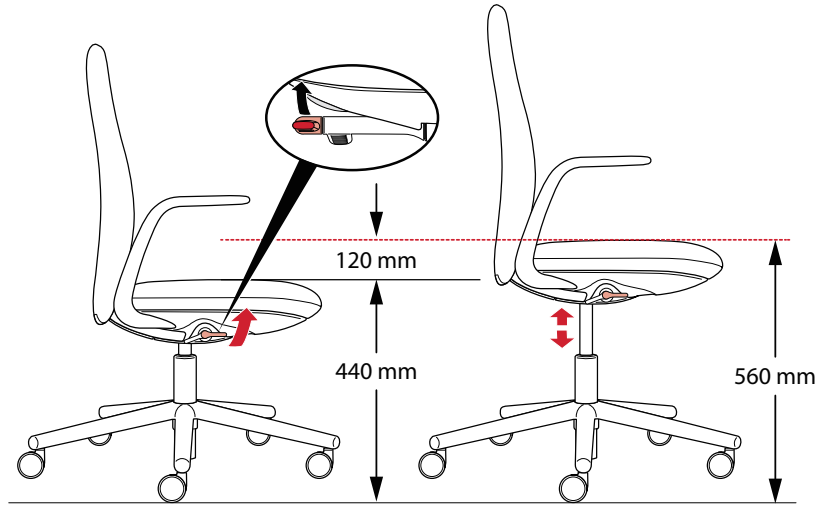


① **Seat Height Adjustment**  
座椅高度调节

Pneumatic height adjustment is used to adjust the seat to fit different user heights. (1) Pull the lever up and lift the body out of the chair to raise the seat. To lower the seat, remain seated and pull the lever up.

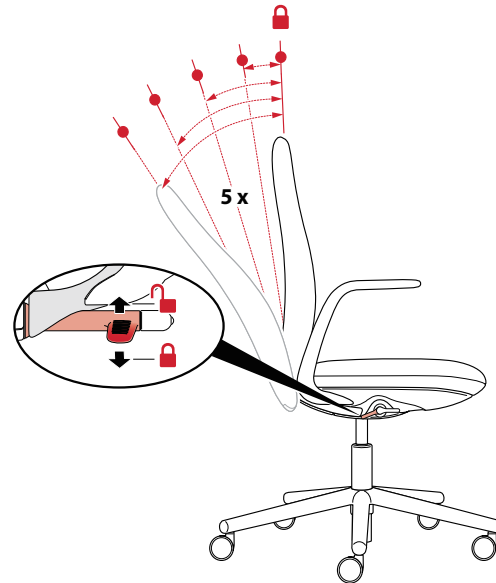
座椅采用气动高度调节，可适应不同身高的用户。  
(1) 起身上拉控制杆，升高座椅。如需调低座椅，保持就座并上拉控制杆。



② **Back Lock**  
倾仰锁定调节

Single position back lock to fix the backrest in the upright position. In total there are 5 back rest positions to fix. (1) Recline to the desired stopping position and (2) push down on the lever to activate the back stop. (3) Pull up on the lever to release the back stop.

倾仰锁定调节可将椅背锁定在5个不同位置。  
(1) 倾斜至所需的停止位置。(2) 下推控制杆，启动背锁功能。(3) 上拉控制杆，解除背锁功能。



③ **Armrest Adjustment (optional feature, Phase 2 in 2020)**  
扶手调节 (可选功能)

Arm height adjustment raises and lowers the arms to keep the user shoulder in a neutral posture. To change the height of the armrest, pull up on the lever and slide the armrest up or down.

调高或调低扶手，使用户的肩膀保持在中立位。  
如需改变扶手的高度，请上拉控制杆，并向上或向下滑动扶手。

