

X Series' Storage

HAWORTH'





One platform. Countless possibilities.

How far can you go with X Series? Thanks to an incredible breadth of aesthetic options and design elements, you have the freedom to take X Series anywhere you want.

Like a blank canvas – a tremendously functional, well-engineered, attractive blank canvas – X Series conforms to virtually any workspace, workstyle, and budget. It's a single solution that helps bring the whole space together.



X Series Storage: Chalk paint, Wenge wood fronts with wood J-Pull. **Planes® Table:** Top in Wenge. Legs in Metallic Silver. **Zody® Task Seating:** White Leather seat and jacket, Polished Aluminum base.

Cover: X Series storage in Chalk paint with steel J-Pull. File top in Wenge.



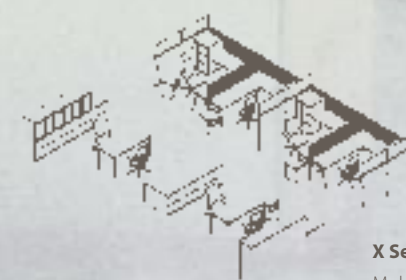
Balance, rhythm, and unity.

Use X Series storage to define individual, collaborative, and public spaces and help establish rhythm and balance throughout the floorplate. Want to enhance the flow even more? X Series storage pieces integrate perfectly with Enclose® moveable walls, Compose® systems, Patterns™ architectural elements, and other Haworth products for a unified, forward-looking aesthetic.



A family of functionality.

Warm, double-cut veneers lend an established air to individual offices. Transluents and perforated steel add a creative edge to the open plan. With one product family, you can provide the right storage for every need, setting, and status. From individual workspaces and executive suites to teaming areas and archiving, X Series puts special focus on functionality – helping users organize information and manage assets while complementing a variety of individual and team workstyles.



X Series Storage: Plaster paint, Beachwood fronts, Basic White Translucent on doors. Taper pulls. Mobile pedestal cushion in Carnegie, Exposure, color 12. **PREMISE® System:** Panels in Maharam, Crisp, color 011 Aurora. Worksurfaces in Beachwood. Components in Chalk paint. **Seating:** Zody task seating in Wicker, Corf seat, Relax Mesh back, Polished Aluminum base.



X Series Storage: Plaster paint, Beachwood fronts. Mobile pedestal cushion in Carnegie, Wired, color 62. Linear pulls. **UniGroup® Too System:** Panels in Luna, Odeon, Piquant and Stepping Stones Glance. Worksurfaces in Linen laminate. Overhead storage units in Chalk paint. **Seating:** Zody task seating in Wicker, Corf seat, Relax Mesh back, Polished Aluminum base. SEO4™ seating in Maharam, Messenger, Poppy. q_bic™ square table in special White paint and Clear glass.

A scalable, varied aesthetic.

Simple and functional? Sophisticated and purposeful? X Series satisfies a full spectrum of styles and applications by giving you extraordinary options at the start. Put X Series to work in surprising ways – use combination storage units to delineate space or provide mobile storage that doubles as seating for collaborative teams. Incorporating variety into the X Series family allows you to create spaces that are more visually intriguing while remaining true to one guiding design intent.

Expressive, effective details.

Choose natural or double-cut wood veneers. Perforated steel. Textured paint. Laminate. Steel and wood. Or laminate and wood. Pedestal cushions in fabrics from funky to functional. You get the idea – and we haven't even touched upon the ultra-convenient mobile tug pedestal, aesthetically clean wood lockbar, right-sized drawers, and other thoughtful details. With so much flexibility, it's no surprise that X Series is a welcome addition to any environment.



3/3/6/12 Drawers



Pedestal Cushion



Tug Pedestal



Lateral File Bench with storage



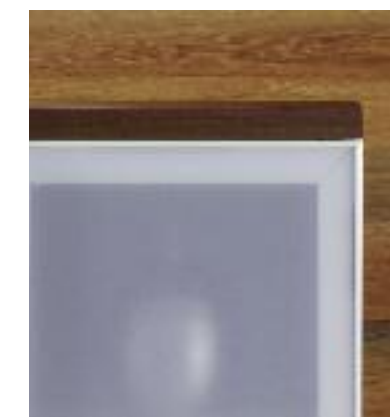
5-High Lateral File with Receding Door



5-High Lateral File with Swing Doors



White Translucent Personal Storage Tower Top



Wood Personal Storage Tower Top

An inspiring palette.

Striving for a residential effect? Opt for legs in place of glides. Mix woods, laminates, and painted steel for a wholly individual environment. Take your pick of more than thirty distinct finishes and multiple pull styles – or choose the touch-latch option on storage and valet doors for a smooth look. The goal? To give you the tools to create precisely the space you envision.



Drawer Pulls



Steel J-Pull



Wood J-Pull



Linear



Classic



Taper



Radius



Crescent



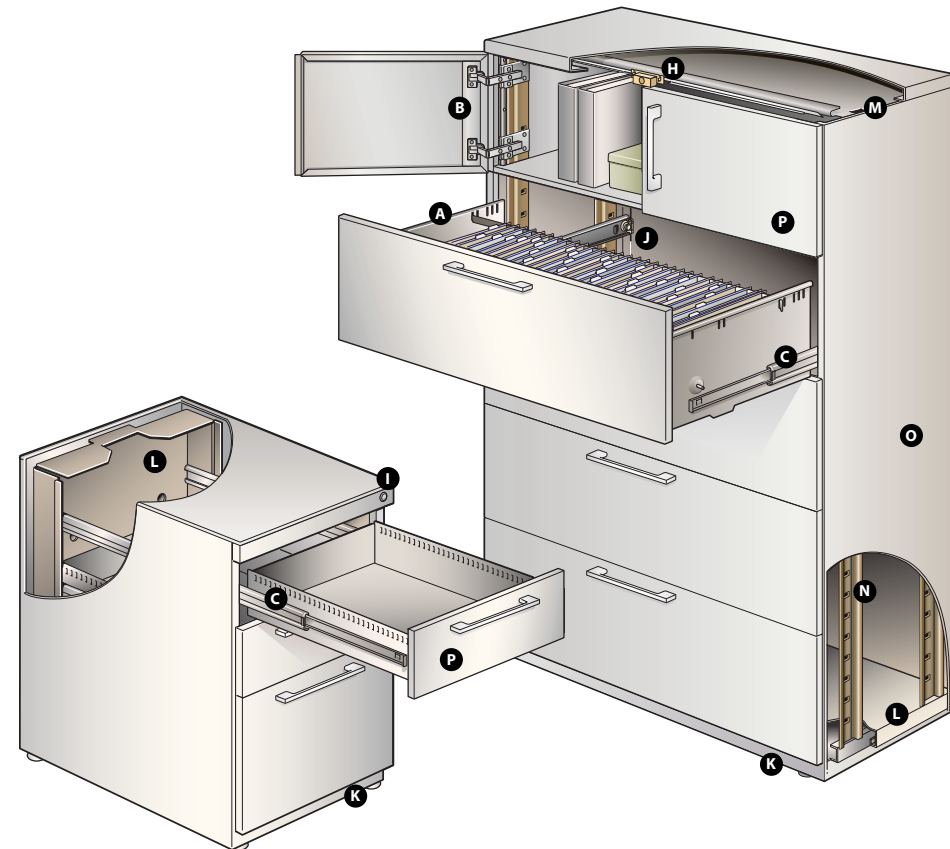
Ellipse



Integral Pull

Rest assured. It's secure.

X Series stands up to daily work demands and business security concerns with world-class strength and engineering. Features such as patented box-in-box base construction, full drawer extensions, and superior rack-and-pinion locking mechanisms make X Series as rugged and secure as it is attractive. It's the durability you expect from Haworth, all backed by a lifetime guarantee.



A Standard side-to-side hanging bars and optional front-to-back hanging rails ensure maximum filing capacity and accommodate customer preferences.

B All doors feature self-closing hinges that open 100 degrees for easy access.

C Every drawer has telescoping, steel ball bearing slides, enabling full extension, complete access, and smooth operation.

D An optional translucent top lets ambient light illuminate the tower's interior. (not shown)

E Optional cushions turn pedestals into guest seating, while accessories like the CD drawer inserts help you stay organized. (not shown)

F The bench opens to reveal hanging file storage within. (not shown)

G The 5-high lateral file with fixed shelf accommodates standard U.S. binders. (not shown)

H The rack-and-pinion lock mechanism and dual side lock bars prevent drawers from being pried open.

I The direct locking system engages the steel lock bar directly into the steel drawer body to provide maximum security.

J For safety, the positive drawer interlock system allows only one drawer to be opened at a time.

K Four adjustable floor glides provide height adjustment, simplifying leveling on uneven surfaces.

L Two new technologies – a patent-pending box-in-box construction used as the base of files and frame inserts used in the back of pedestals and towers – promote durability and prevent racking.

M Upper support is provided by an inner top constructed of one-piece formed steel.

N The file's vertical support channel features a common rail and heavy gauge steel, providing additional structural support and strength.

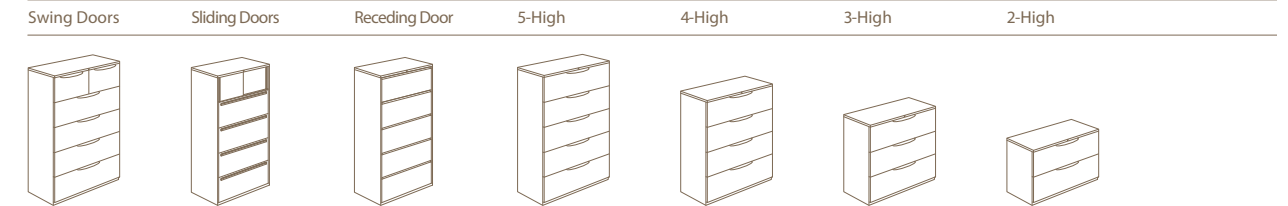
O A wear-resistant finish is applied over a rust-inhibiting treatment.

P Double-walled doors on the file add strength, while double-walled drawer fronts on the pedestal keep small items from getting lost in cracks.

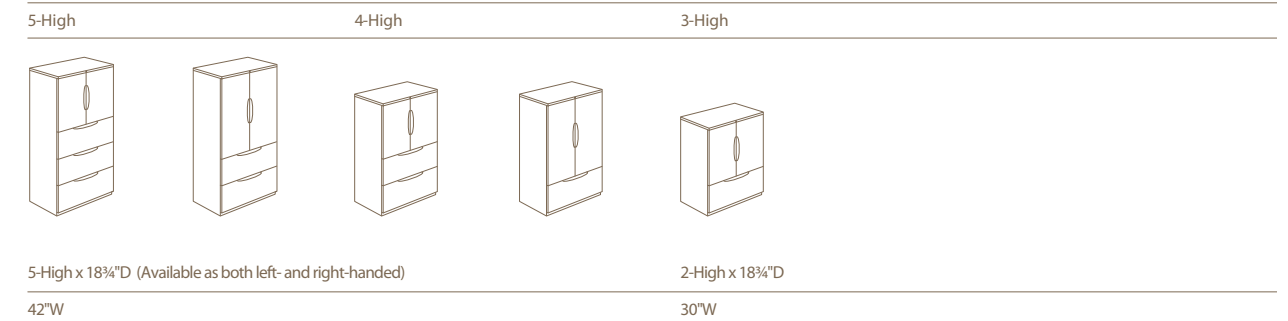
X Series Statement of Line

A sampling of the extensive X Series product offering. Download the full statement of line at www.haworth.com.

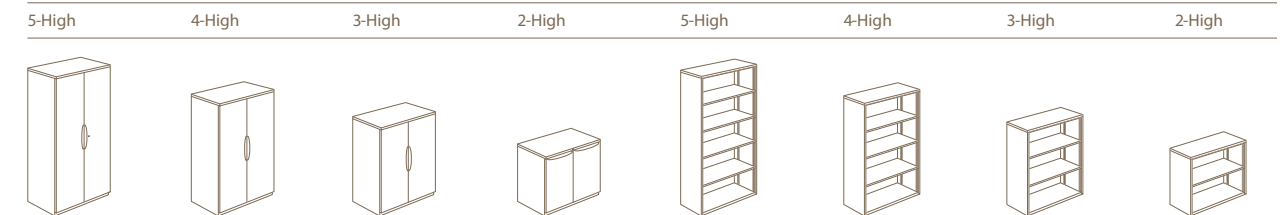
Lateral Files 30", 36", 42"W x 18¾"D



Combination Units 30", 36" or 42"W x 18¾"D (Available as both left- and right-handed)

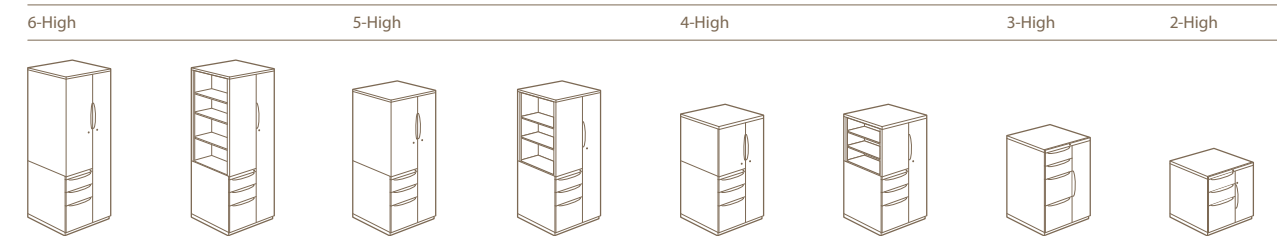


Storage Cabinets 30", 36" or 42"W x 18¾"D

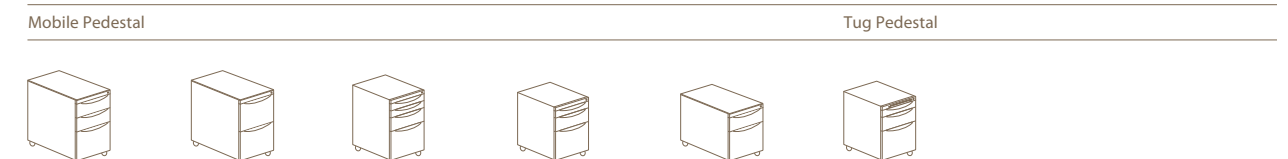


Bookcases 30", 36" or 42"W x 14"D

Personal Storage Towers 24"W x 23"D (Available as both left- and right-handed)



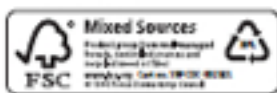
Pedestals 15"W x 17", 23" or 29"D



HAWORTH®

For more information call 800.344.2600 or 616.393.3000.
Download additional copies at haworth.com.

This brochure is printed on U2®-XG™, manufactured with electricity in the form of renewable energy (wind, hydro, biogas) and contains a minimum of 30% post-consumer recovered fiber. FSC is the global benchmark for responsible forest management.



Haworth is a registered trademark of Haworth, Inc.
Printed in USA ©Haworth, Inc. 2008 11.08 Item #0144

haworth.com | haworth-europe.com | haworth-asia.com