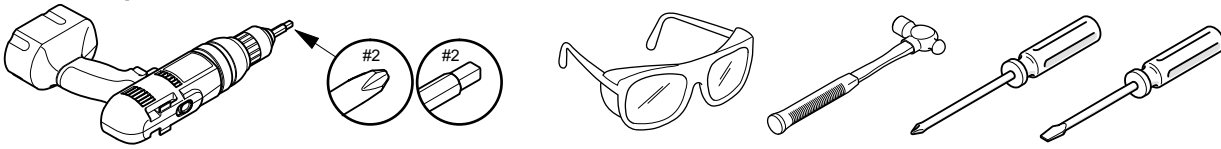




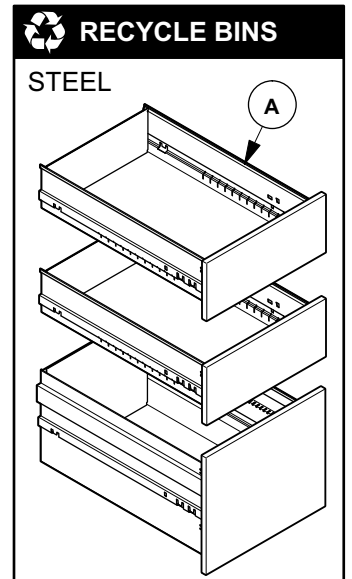
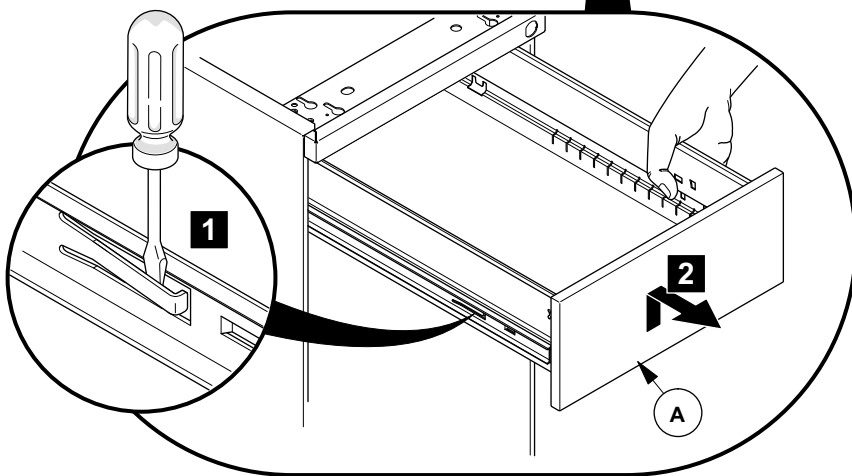
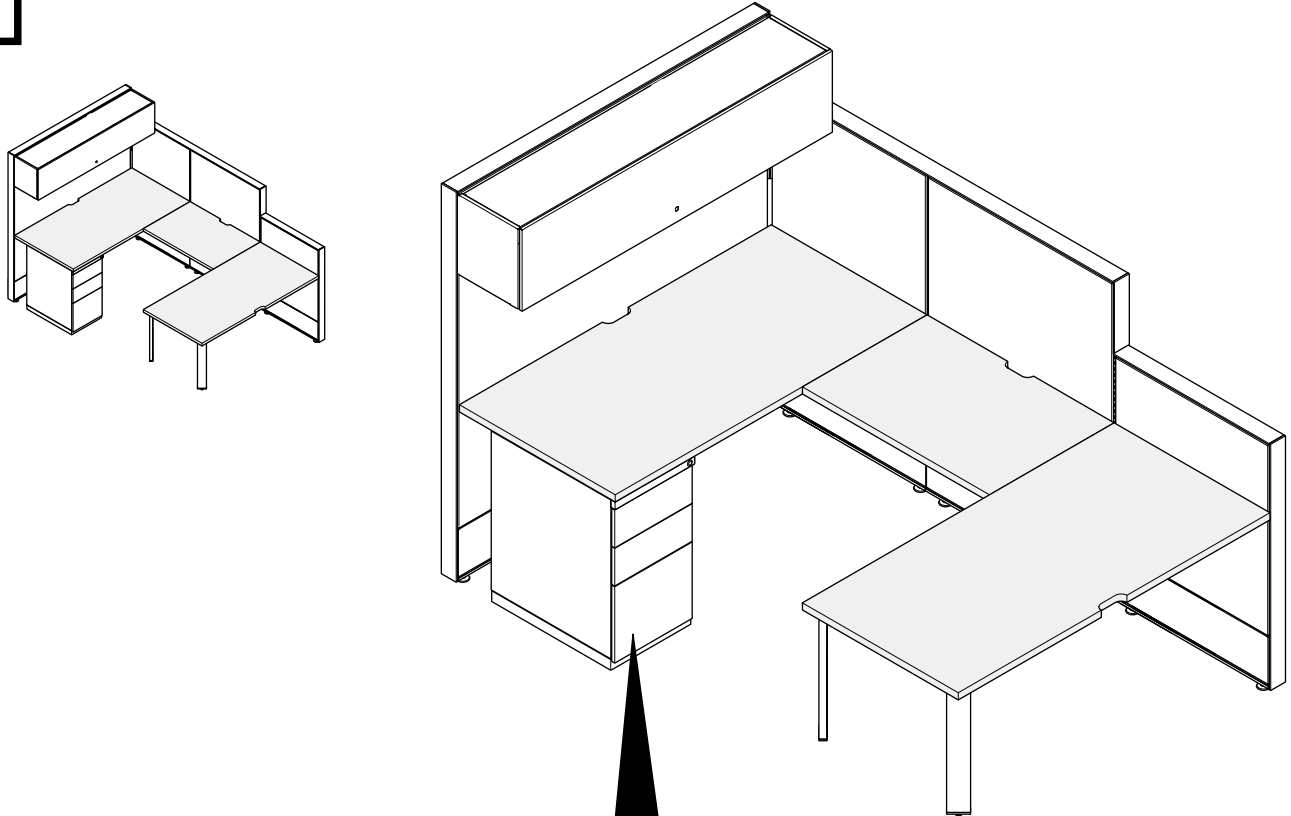
COMPOSE®

Typical Systems Workstation
Disassembly & Recycling Instructions

Tools Required



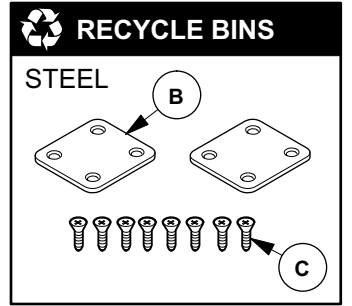
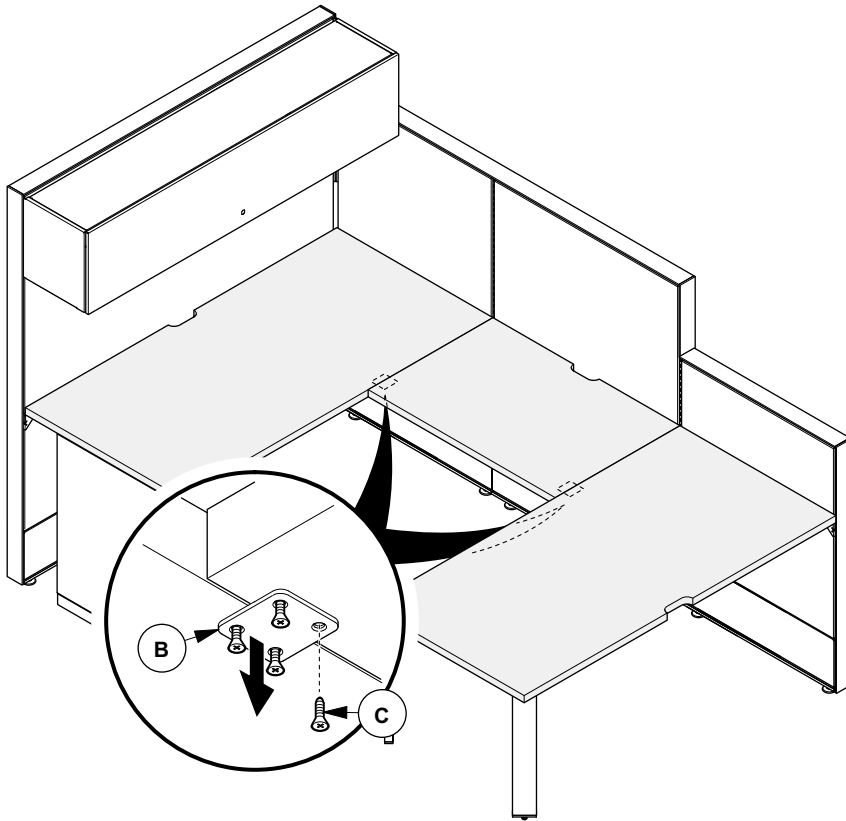
1



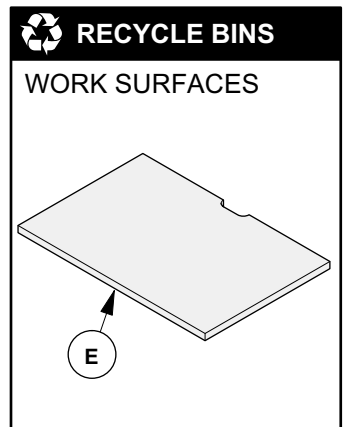
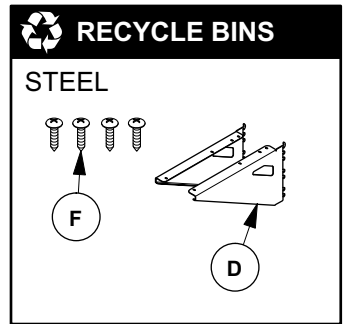
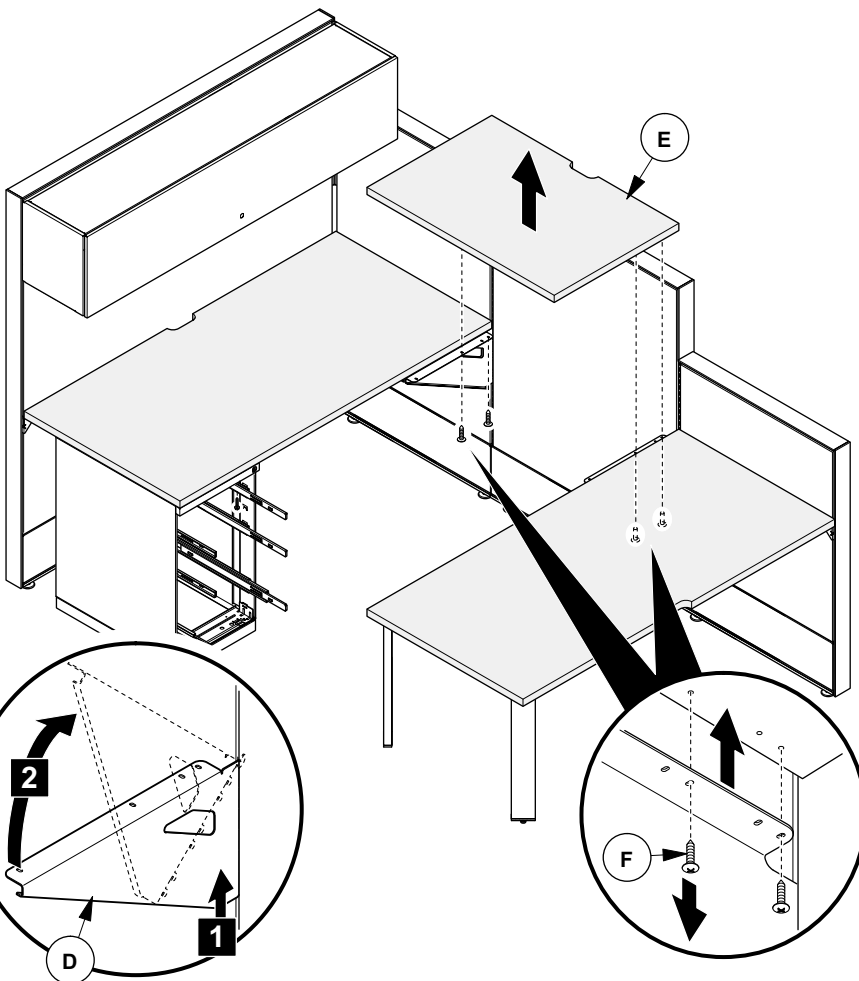
CUSTOMER SERVICE PHONE: 1-800-426-8562

HAWORTH®

2



3

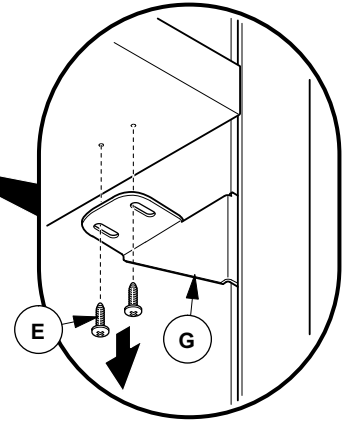
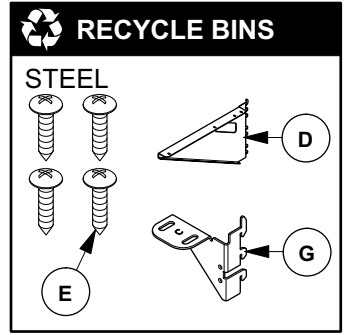
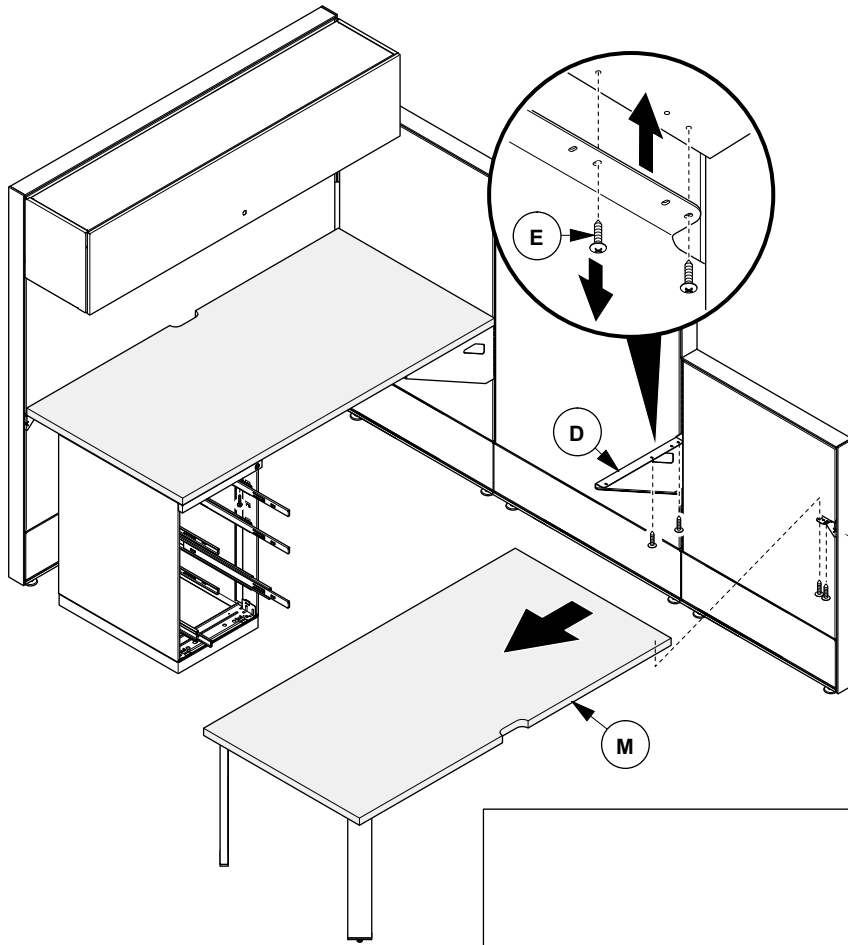


CUSTOMER SERVICE PHONE: 1-800-426-8562

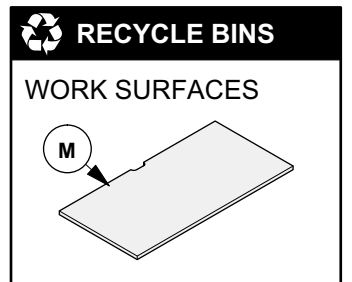
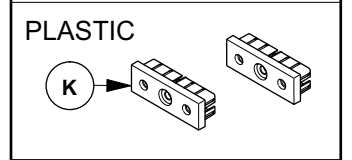
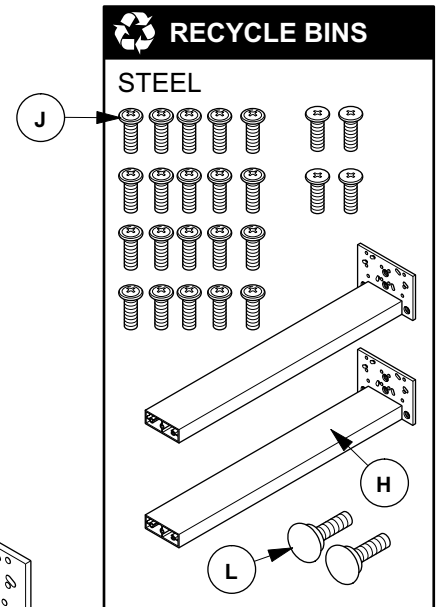
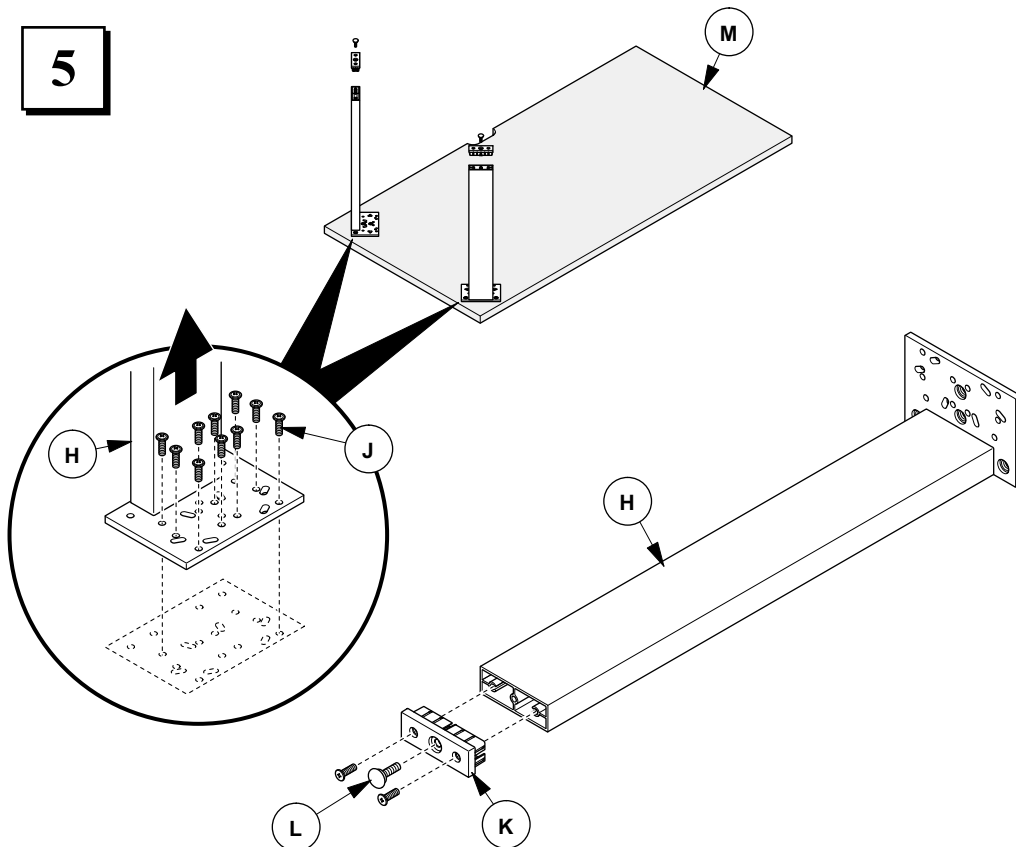
HAWORTH®

Page: 2 OF 7

4



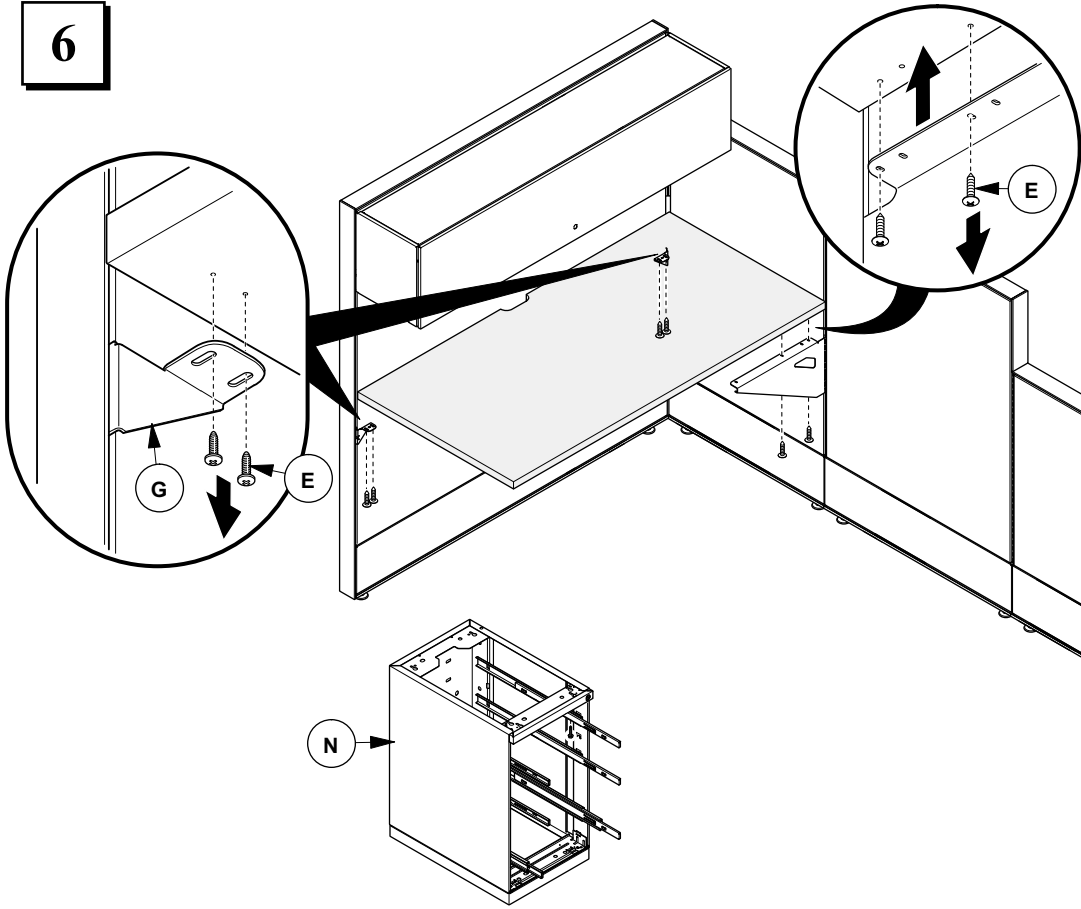
5



CUSTOMER SERVICE PHONE: 1-800-426-8562

HAWORTH

6



RECYCLE BINS

STEEL

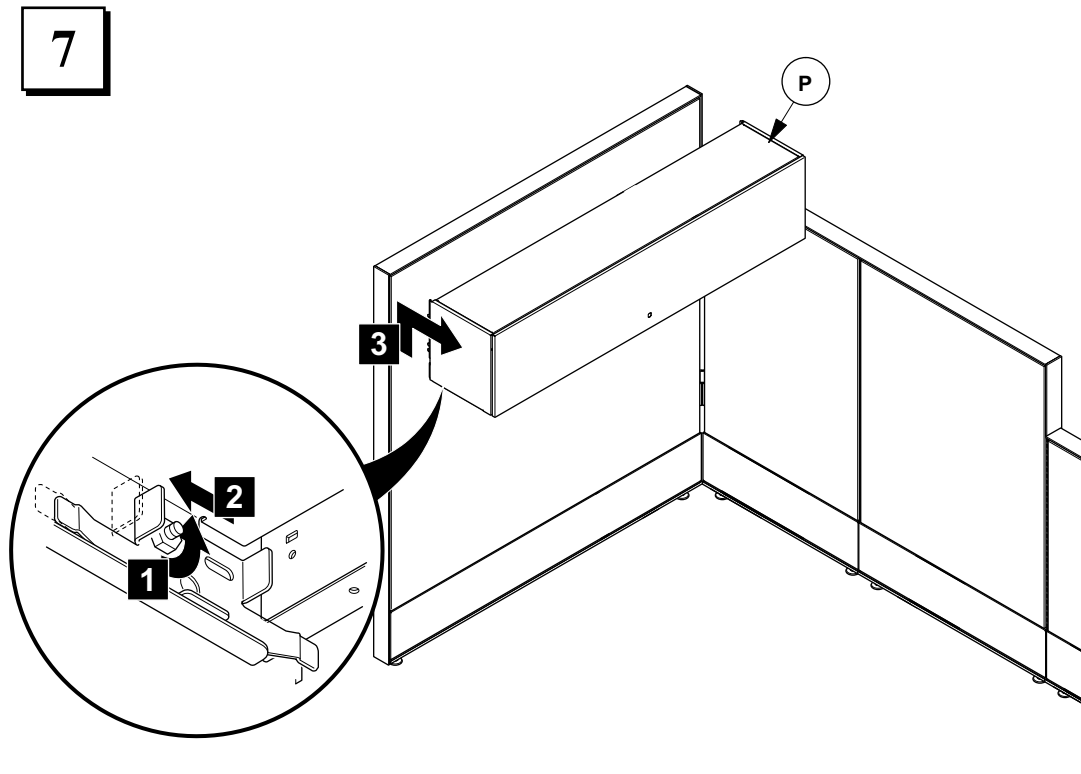
(E) (D) (G) (E)

(N)

RECYCLE BINS

WORK SURFACES

7

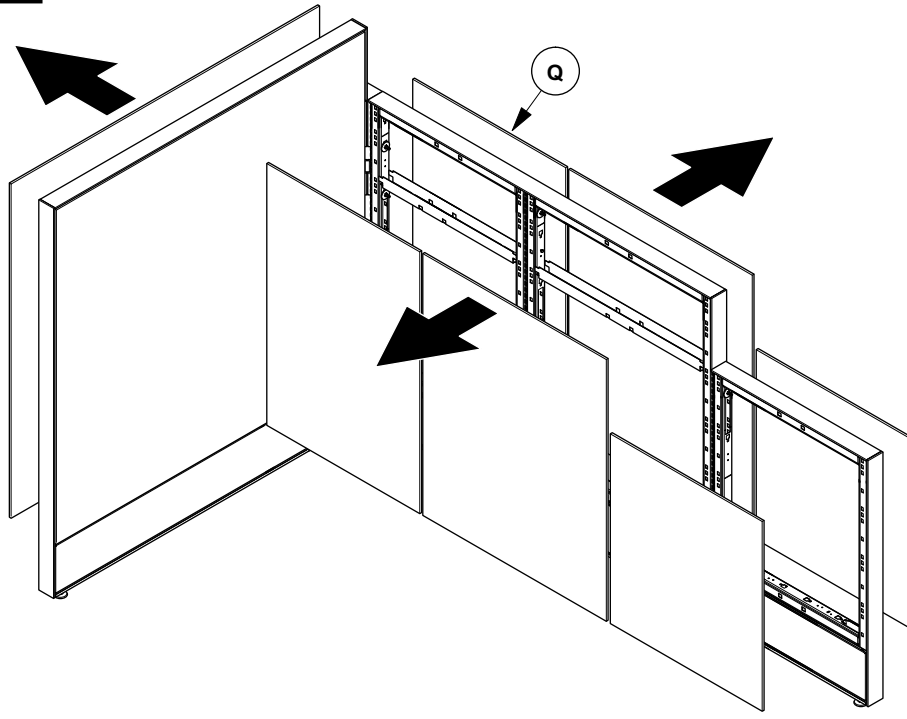


RECYCLE BINS

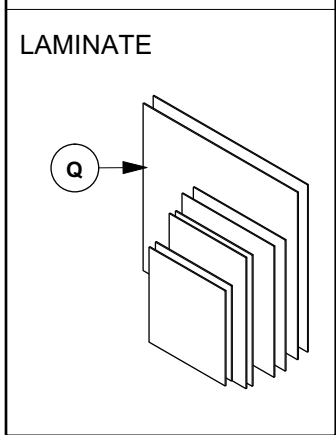
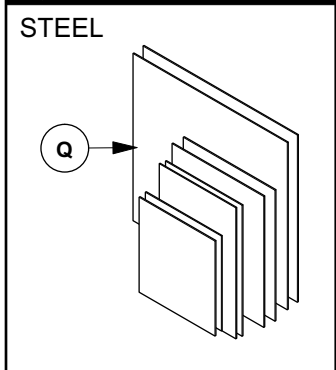
STEEL

(P)

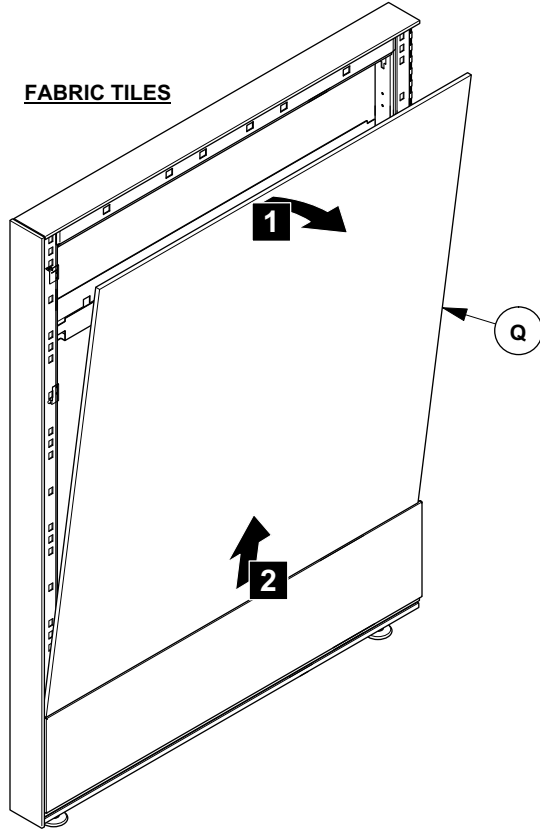
8



RECYCLE BINS

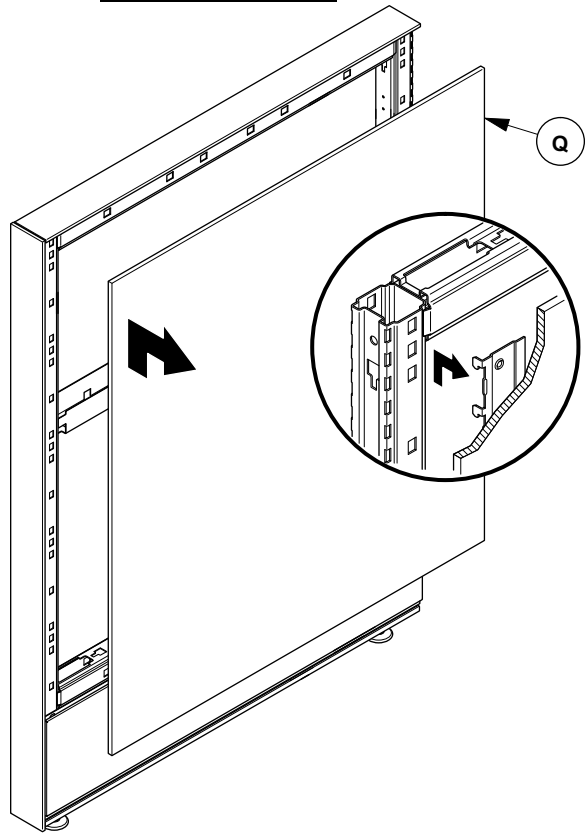


FABRIC TILES



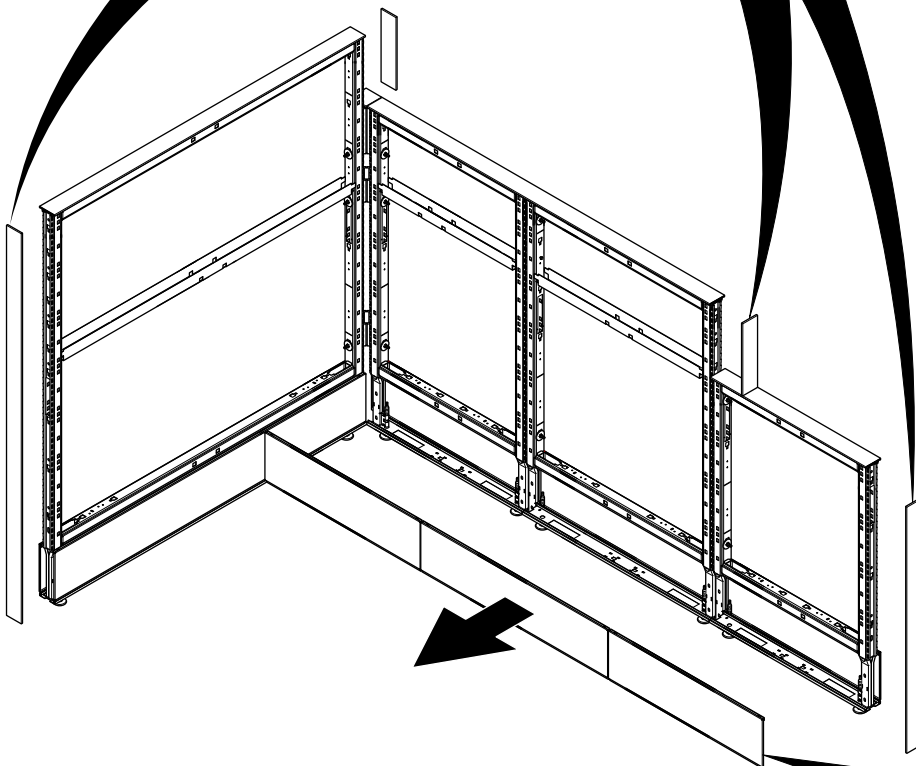
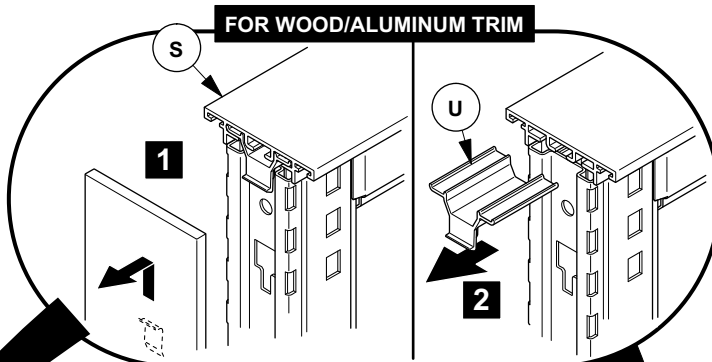
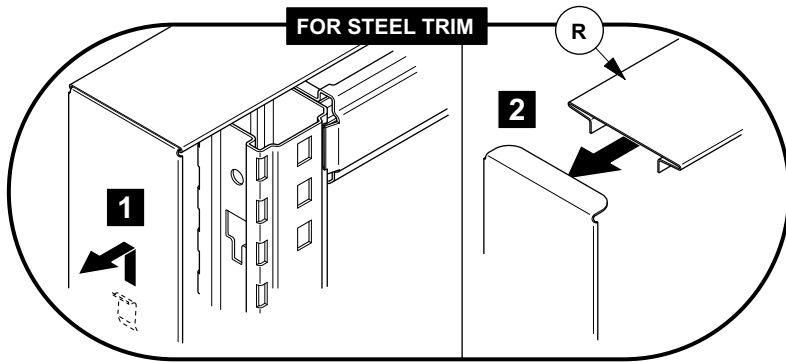
OR

HARD SURFACE TILES



CUSTOMER SERVICE PHONE: 1-800-426-8562

9



RECYCLE BINS

PLASTIC

T

U

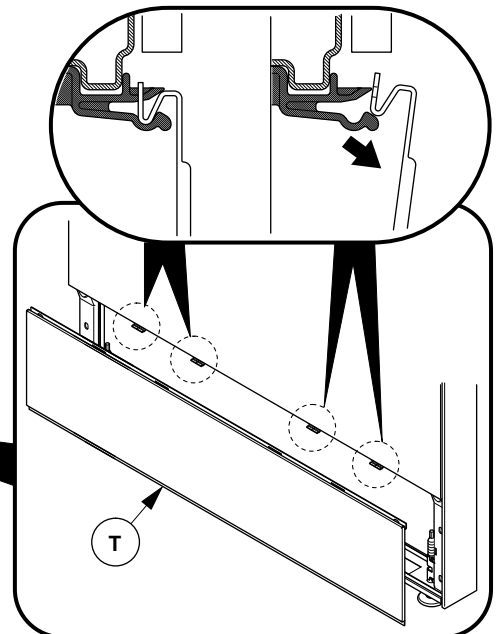
STEEL

R

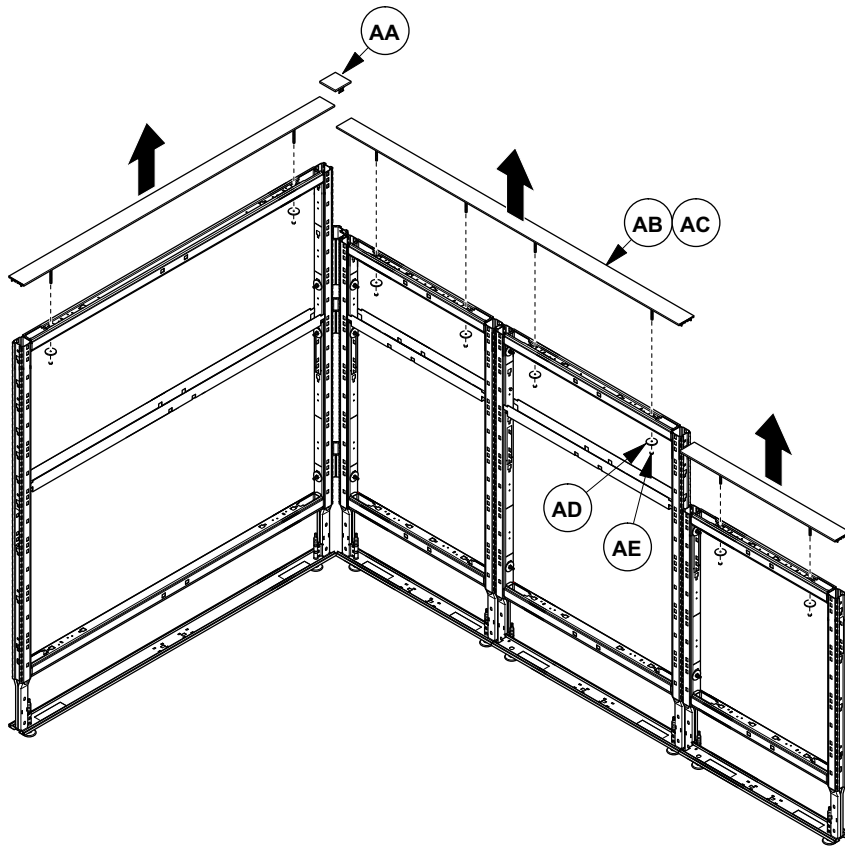
ALUMINUM

S

This section contains three recycling diagrams. The first is for plastic, showing a stack of plastic trim pieces labeled 'T' and a single piece labeled 'U'. The second is for steel, showing a single steel trim piece labeled 'R'. The third is for aluminum, showing a single aluminum trim piece labeled 'S'.



10

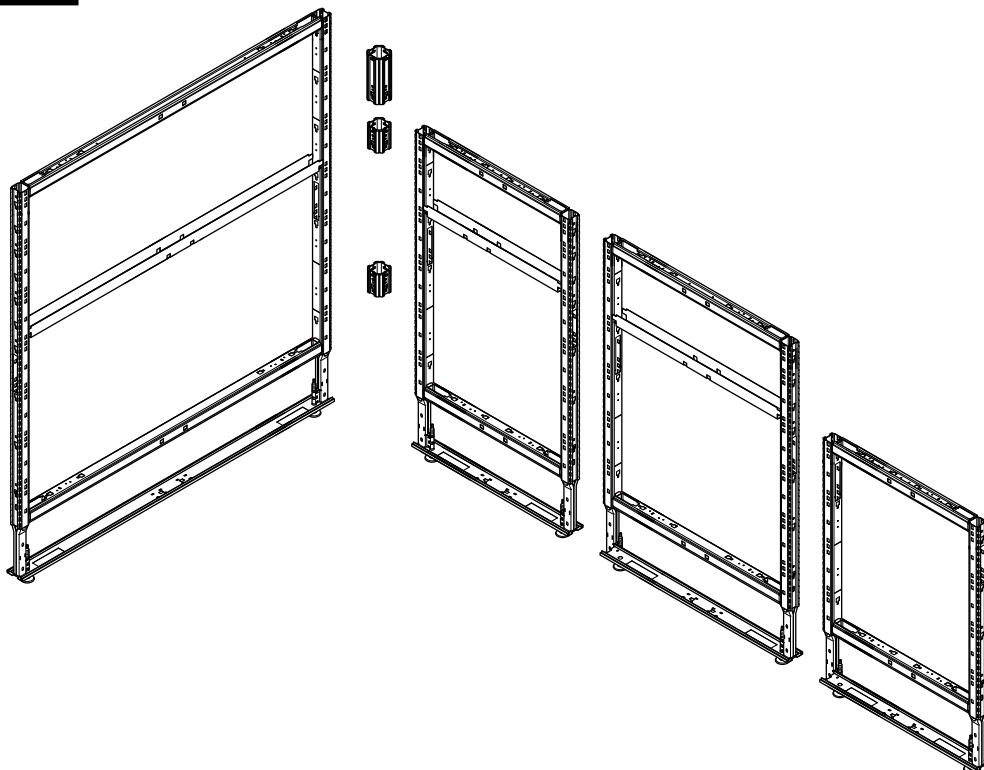


RECYCLE BINS

STEEL

ALUMINUM

11



RECYCLE BINS

STEEL

ALUMINUM

CUSTOMER SERVICE PHONE: 1-800-426-8562

HAWORTH®