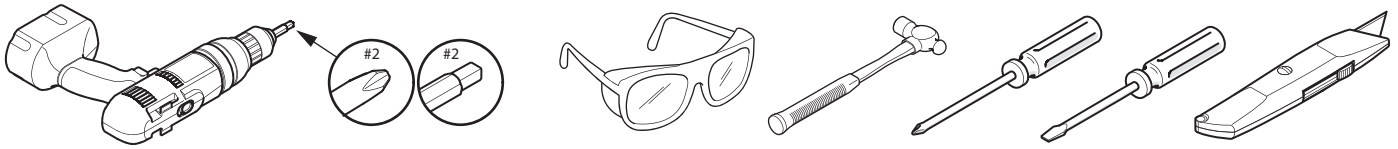


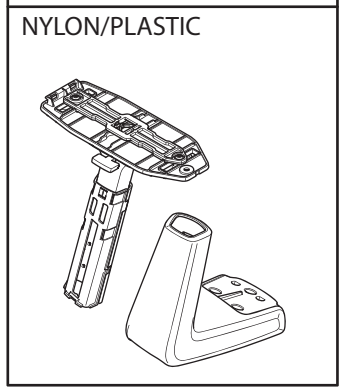
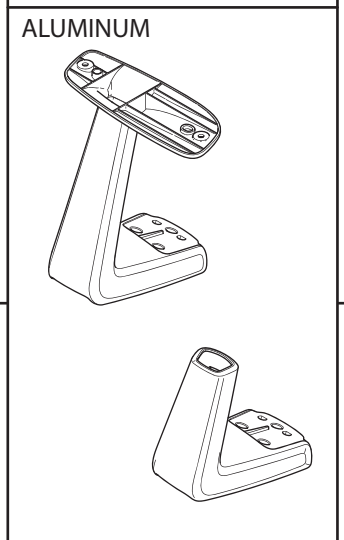
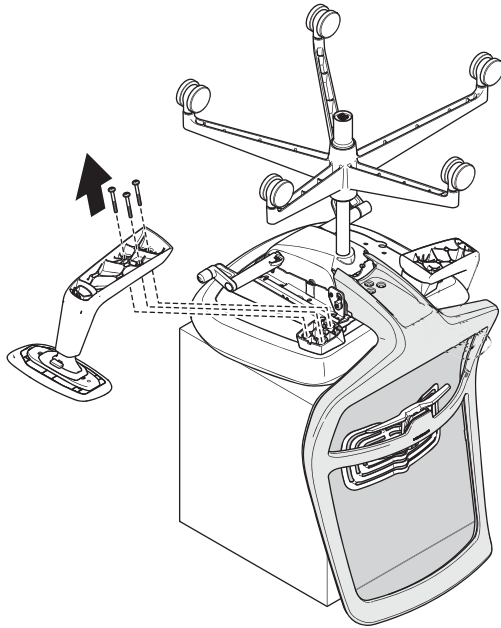


SOJI®
Task Chair
 Disassembly & Recycling Instructions

Tools Required



1



2

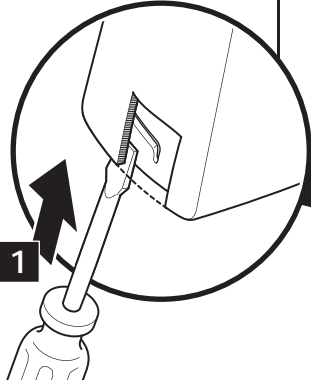
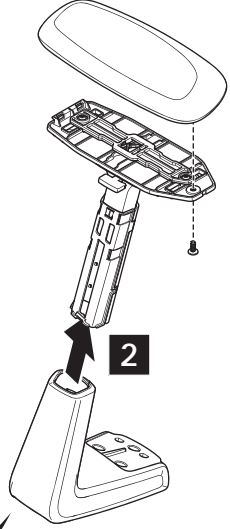
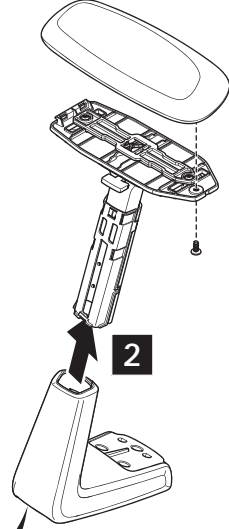
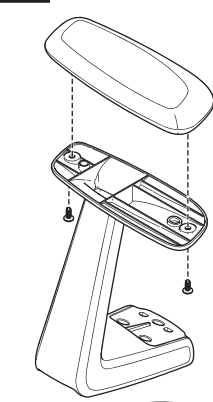
Fixed Arm

Height Adjustable Arm

4D Arms

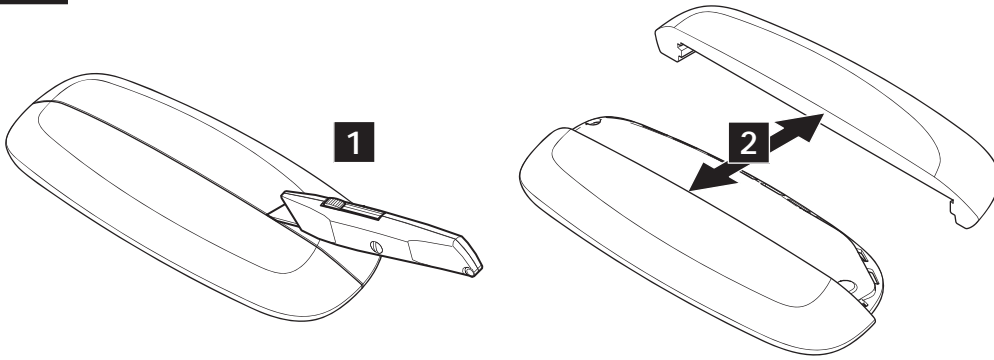
OR

OR



CUSTOMER SERVICE PHONE: 1-800-426-8562

3

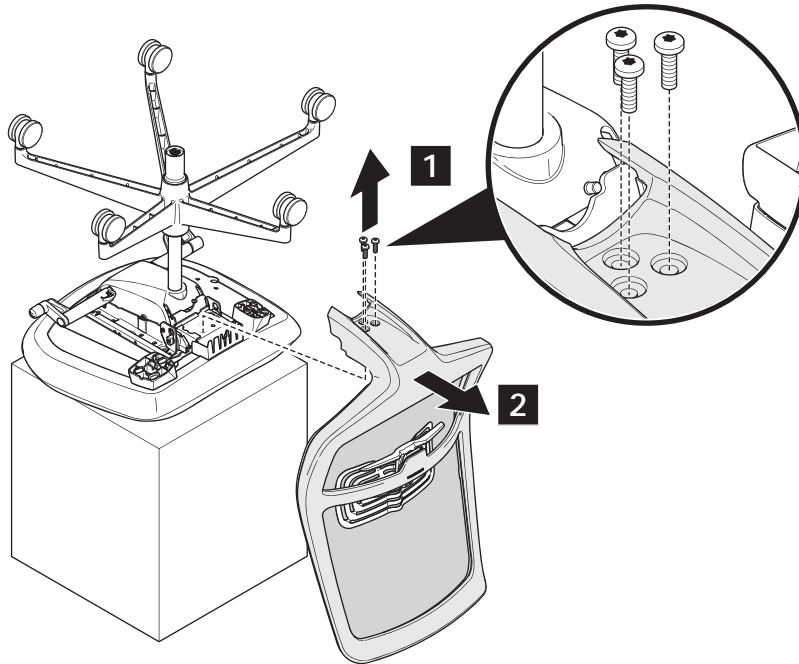


RECYCLE BINS

NYLON/PLASTIC

FOAM/RUBBER

4

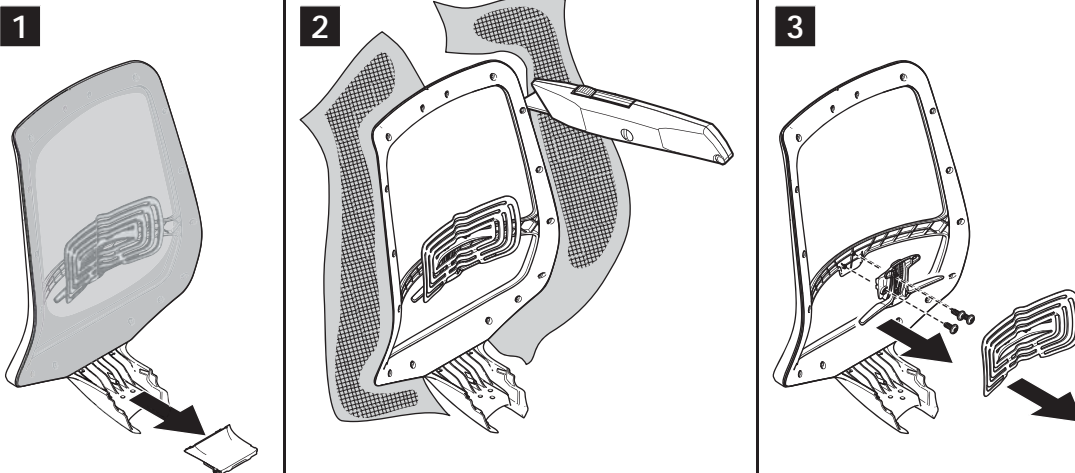


RECYCLE BINS

STEEL

NYLON/PLASTIC

5

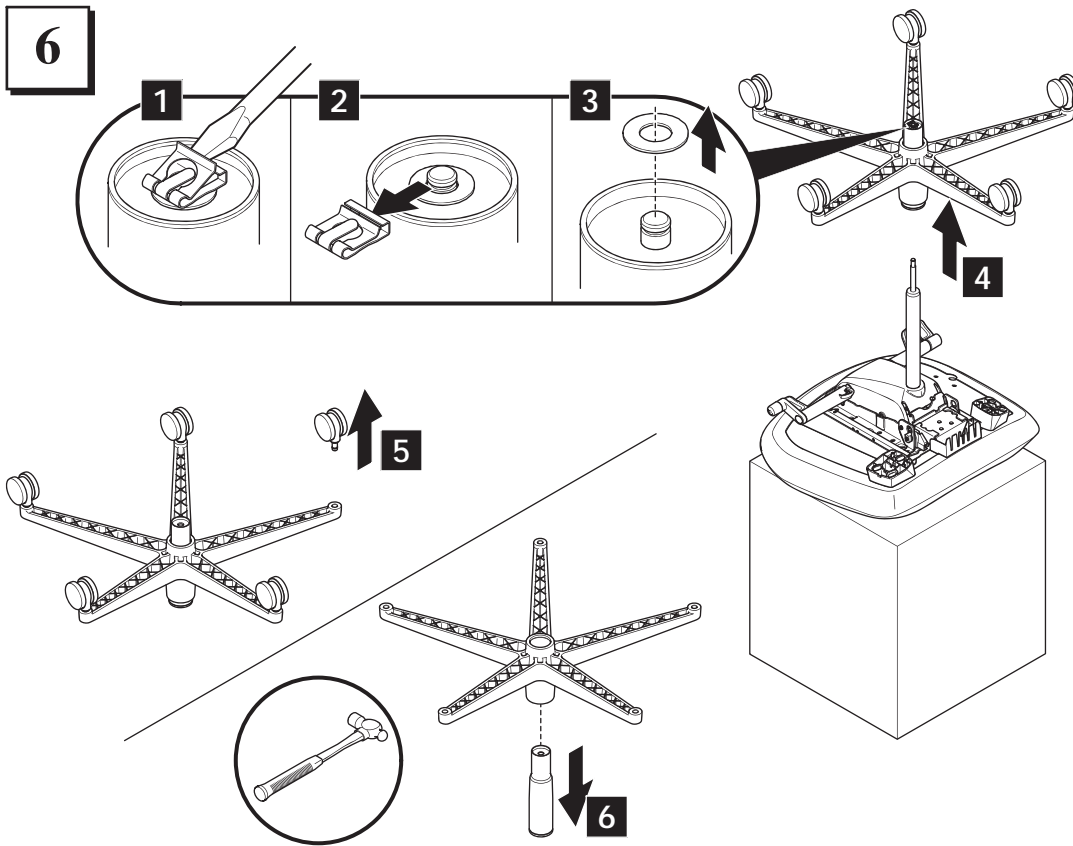


FABRIC

CUSTOMER SERVICE PHONE: 1-800-426-8562

HAWORTH®

6



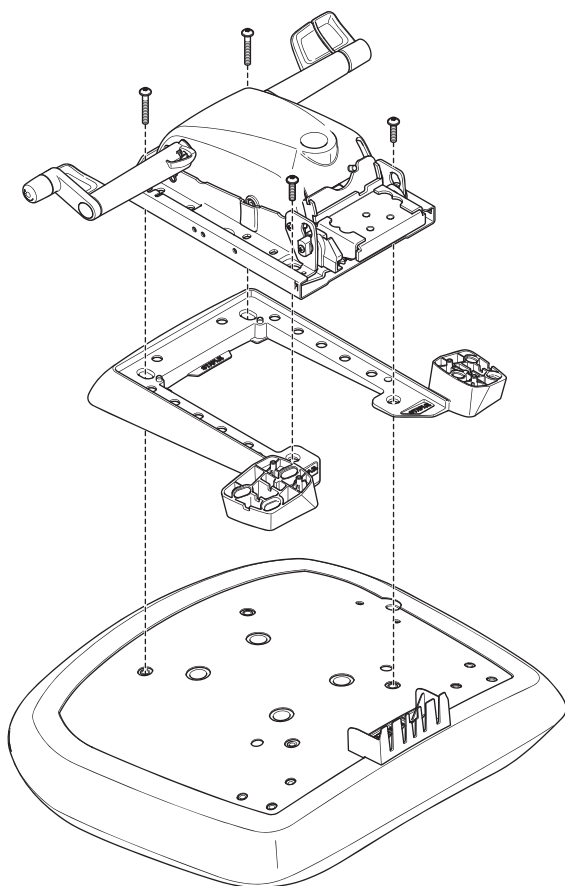
RECYCLE BINS

STEEL

ALUMINUM

RUBBER

7



RECYCLE BINS

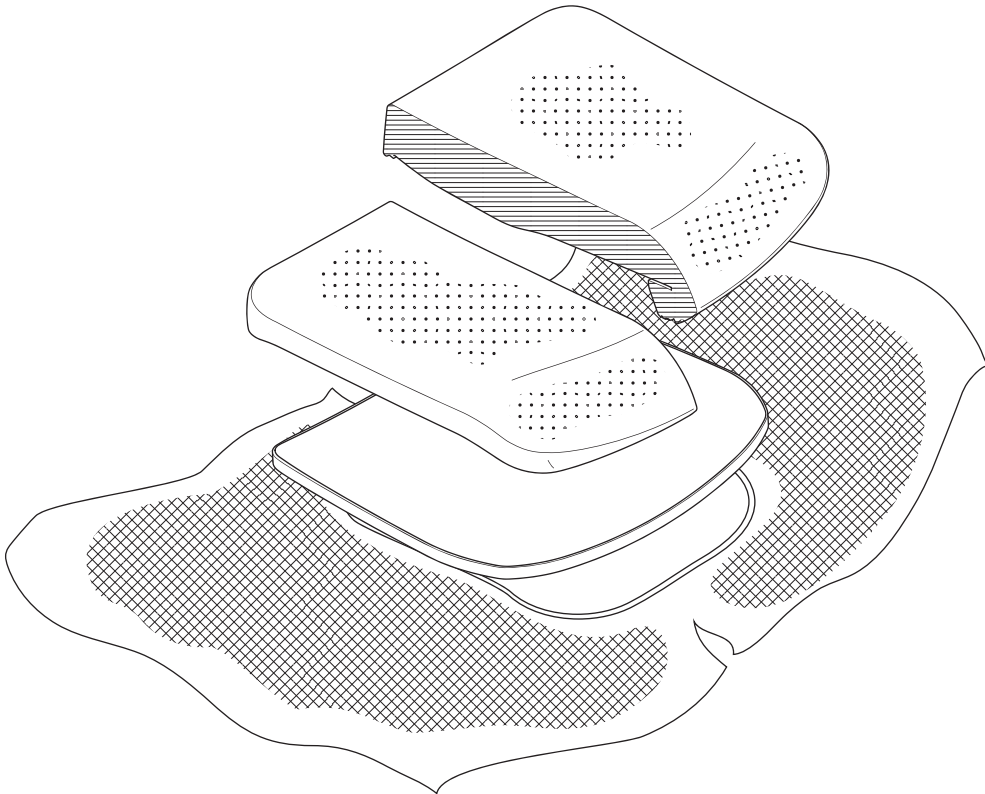
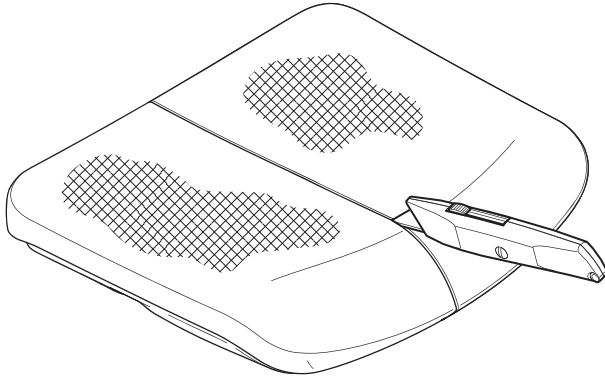
STEEL

NYLON/PLASTIC

CUSTOMER SERVICE PHONE: 1-800-426-8562

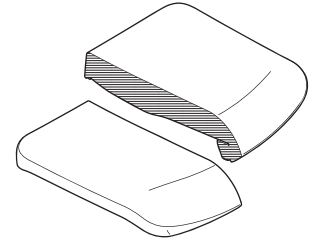
HAWORTH®

8

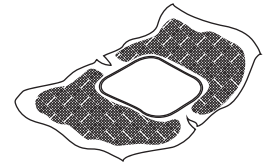


 RECYCLE BINS

FOAM



MATERIAL



NYLON/PLASTIC

