

TECHNICAL SPECIFICATION

hushmeet HUS-BX-208

YOUR MEETING YOUR WAY

HushMeet is an additional, independent space for your office. It allows you to conduct meetings in a comfortable and secure environment with advanced acoustic solutions. Additionally, the closed space provides a feeling of privacy which ensures that everyone within the hushMeet can feel at ease. The pod is an excellent alternative to small conference rooms and can be placed wherever you want!



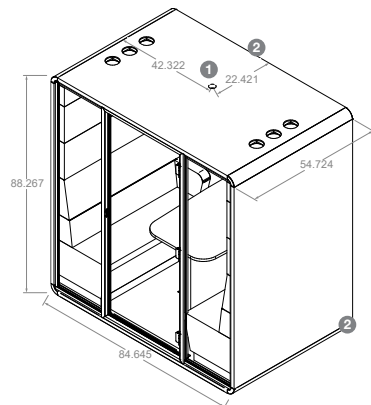
DIMENSIONING



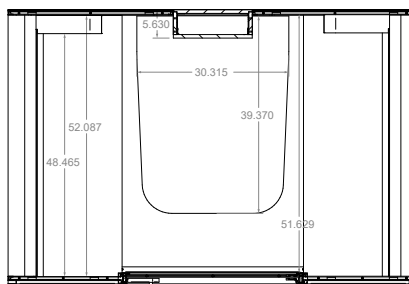
W/D/H: exterior 84.64 x 54.72 x 88.26 in
interior 75.03 x 52.08 x 79.72 in

Weight: 1410 lbs **Weight with crate:** 1856 lbs

Logistic data is available on request.



1 Cutout for sprinkler installation 2 Power cable access



ELECTRIFICATION

LED ceiling light.

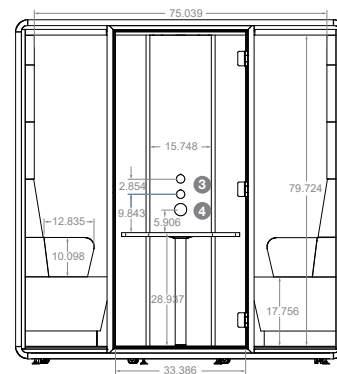
Power module: UL standard: 1x (power, RJ 45, USB Type A 2.4A, USB Type C 5A). Black color.

Motion sensor: activating lighting and airflow at 50% power. Located in the ceiling. Standby power consumption 0.3 W.

Power cable: access from ceiling or base (detailed information can be found in the Assembly Manual). 2.36 in milling prepared from the inside of the ceiling (not visible from outside). White cable with three-prong grounded plug 110V. The total length of the cable – 14.78 ft. The cable length for the exit of unit – 11.82 ft.

RJ45 cable: the total length of the cable – 7.88 ft. The cable length for the exit of unit – 4.60 ft.

Maximum power consumption of the product 49.5 W.



3 Lighting and ventilation adjustment knobs 4 Power module



LIGHTING

Ceiling light 19.2 W/1940 lm. 3000 K. Avg. [lux] 198. Min. [lux] 157. Max. [lux] 220.*

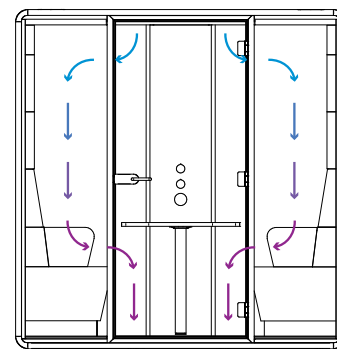
* Calculation results of the LED light source on the tabletop inside the booth.

The final amount of Lux depends on the lighting intensity in the office space.



VENTILATION

6 fans. 3531 ft³/h* / 167 seconds**.



* maximum performance of the single fan, taking into account losses in the ventilation system.

** total time of air change inside based on the volume and capacity of one fan.



hushoffice

Manufacturer: Fabryka Mebli Biurowych Mikomax sp. z o.o. | 93-231 Łódź ul. Dostawcza 4, Polska
Distributor: Mikomax sp. z o.o. | 93-231 Łódź ul. Dostawcza 4, Polska

hushoffice.com

TECHNICAL SPECIFICATION

hushmeet HUS-BX-208

EXTERIOR

GLASS DOOR with LATCH HANDLE: acoustic, tempered and laminated safety glass 0.39 in, 5.5.2 thickness including the thickness of 0.19 in glass, 0.07 in acoustic sheet and 0.19 in glass. Clear color.

FRONT AND REAR SIDE GLASS PANELS: acoustic and laminated glass 0.39 in (RW= 35 dB), 5.5.2 thickness including the thickness of 0.19 in glass, 0.07 in acoustic sheet and 0.19 in glass. Placed in aluminum profiles with acoustic seal. Clear color.

PROFILES: for glass and door frame in cosmos grey color.

DOOR HANDLE AND HINGES: anodized aluminum or aluminum painted in cosmos grey color.

CASE: 3-layer honeycomb board with a thickness of 1.49 in. Both sides covered with melamine and finished with ABS edging

Integrated castors with levelling feet.

2.50 in hole with grommet for sprinkler installation.

INTERIOR

TABLE: (W/D/H) 30.31 x 39.37 x 28.93 in. Tabletop supported by a metal leg 2.75 in painted in cosmos grey color. Worktop made of 3-layer melamine chipboard, 0.98 in thickness. Finish in non-finger laminate optional. Maximum load – **15 kg** (33 lbs).

Integrated comfortable **BENCHES.** Maximum load of the two-person bench – **300 kg** (661 lbs).

INTERIOR PANELS: high-density LDF (HDF) 0.12 in thickness, covered with non-flammable polyurethane foam. Upholstered.

FLAME RETARDANT FOAM: complies with BS 5852: Part 2: 1982, Ignition source 5 (Crib 5).

UPHOLSTERY Wool:

weight: 325 g/m², **composition:** 70%WO, 20%PL, 5%PA, 5%AF, **flammability:** cigarette and match (BS-EN 1021-1, 2) (BS 5852-0, 1), CAL 117 (class 1), ASTM 84 (class 1), **light fastness:** 5 (EN ISO 105B02), **fastness to rubbing:** wet: 4/5; dry: 4/5 (ISO 105-X12), **abrasion resistance:** 100.000 martindale cycles (EN ISO 12947-2).

INTEGRAL CARPETED FLOOR.

CARPET: complies with ASTM D2859 – 16 (2021), standard test method for ignitability characteristics of finished textile floor covering materials. Adapted to commercial intensive use (hotel room, hotel suite, boutique, shop, restaurant, conference room, high traffic office, reception, stairs). Graphite color.

ACOUSTIC RATING

Frequency range 125 Hz to 8000 Hz according to ISO 23351-1:2020. Speech level reduction – $D_{s,A}$ 28.5 (dB).

SEISMIC ANCHORAGE

Product with Seismic Anchoring capability as standard solution. Instructions on how to anchor are available on request.

SUSTAINABILITY

Hushoffice booths are manufactured in a ISO 9001 and 14001 certified production facility in Poland by Mikomax Smart Office. They are compliant with the ISO 14001 Environmental Management System Standard. Hushoffice is packed and delivered in light cardboard boxes which are recycle-friendly.

CERTIFICATION



Warranty



Made in EU



Premium wool
CAL 117



Certificates



hushoffice

Manufacturer: Fabryka Mebli Biurowych Mikomax sp. z o.o. | 93-231 Łódź ul. Dostawcza 4, Polska
Distributor: Mikomax sp. z o.o. | 93-231 Łódź ul. Dostawcza 4, Polska

hushoffice.com